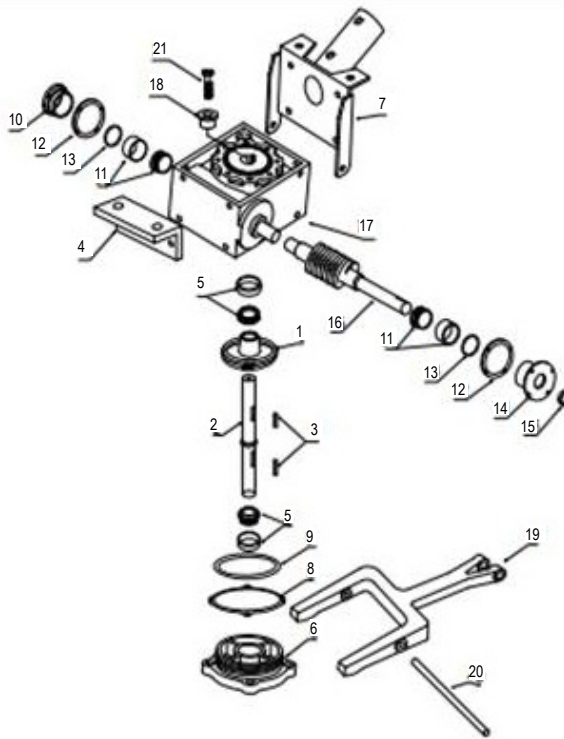


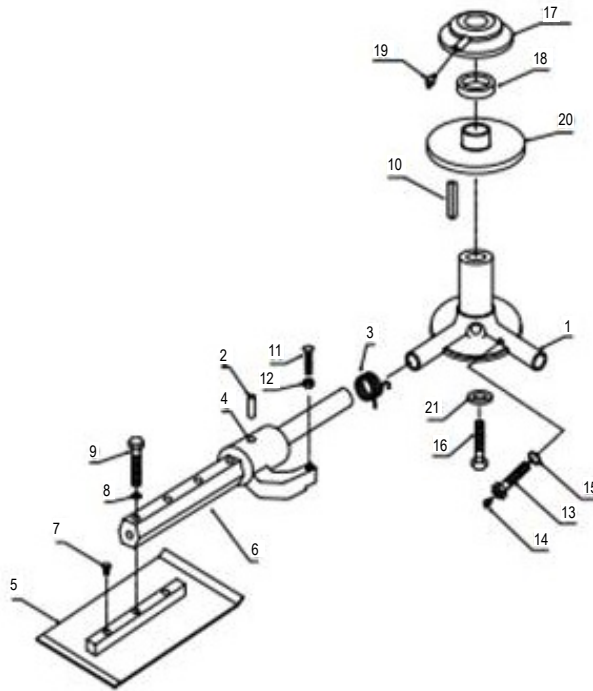
# KASEI HMR950

1.



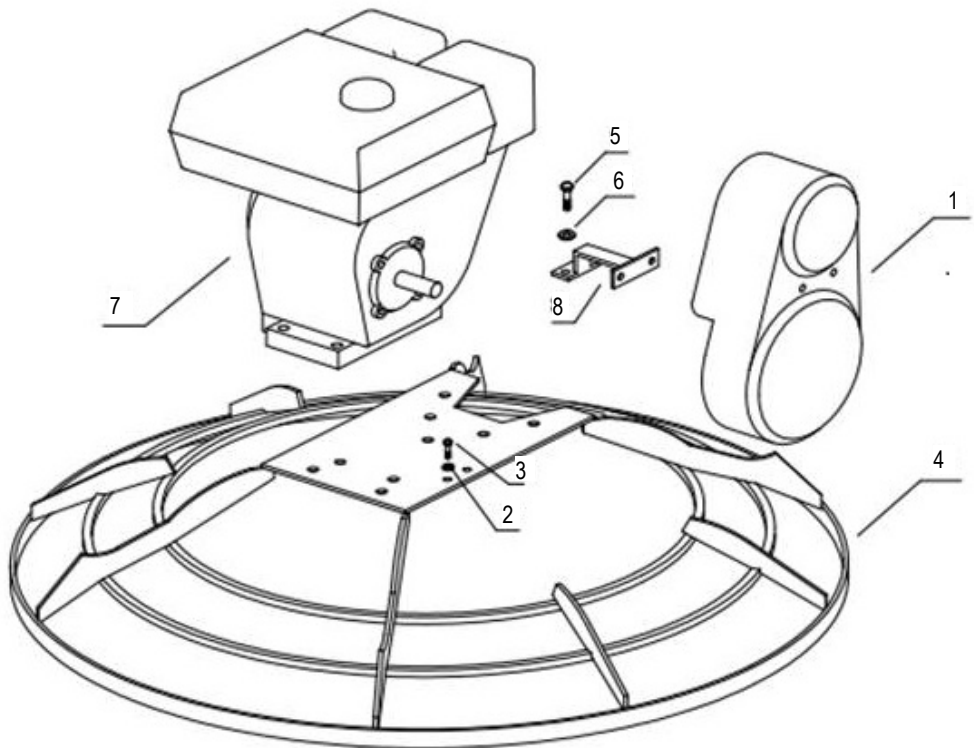
SER.NO	PART NO.	PART NAME
1	71001	turbine
2	71003	output shaft
3	89640	flat key
4	89208	supporting angles
5	71006	bearing
6	88150	cap
7	71008	supporting
8	88014	gasket
9	71012	O ring
10	89204	bearing cover
11	71014	bearing
12	88058	cover gasket
13	71017	O ring
14	88140	bearing cover
15	71019	seal
16	71020	worm
17	71021	case assembly
18	81121	hub
19	71024	forks
20	71025	pin
21	89650	bolt M8x35

2.



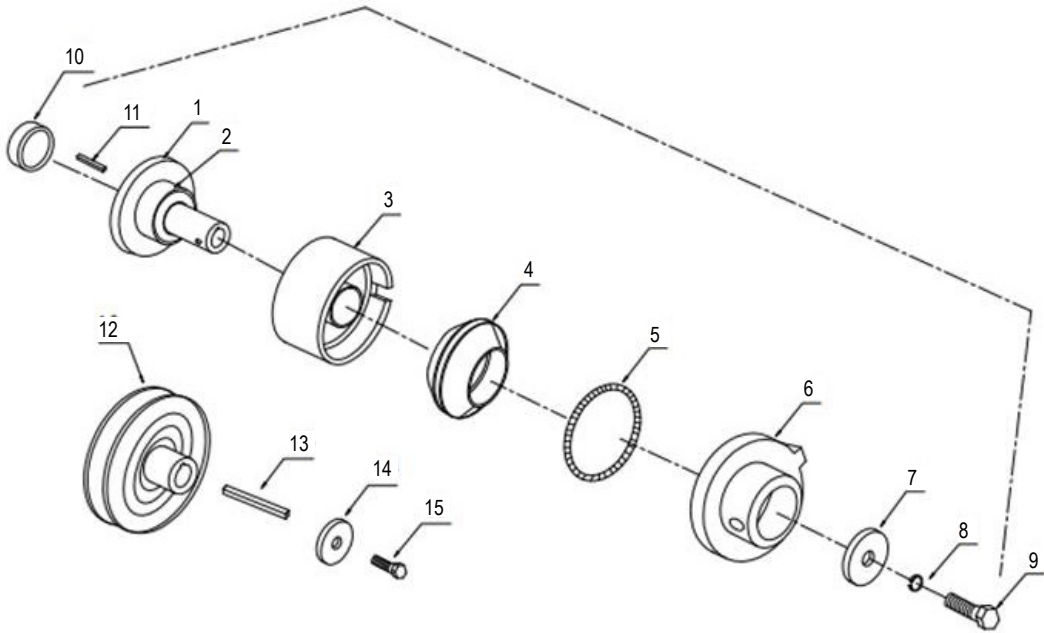
SER.NO	PART NO.	PART NAME
1	72001	support
2	72002	6*45 spring pin
3	72003	torsion-spring
4	72004	support
5	77000	blade
6	72006	connecting rod
7	81082	hex bolts
8	80081	spring washer
9	81084	hex bolts M8*45
10	89650	key M10*45
11	72011	adjusting bolt
12	80107	adjusting nut
13	72013	joint
14	87010	grease nipple
15	80081	spring washer
16	82102	tight bolt
17	72017	bearing cover
18	89113	bearing 5113
19	87011	bolt
20	72020	Tool Holder
21	72021	washer

3.



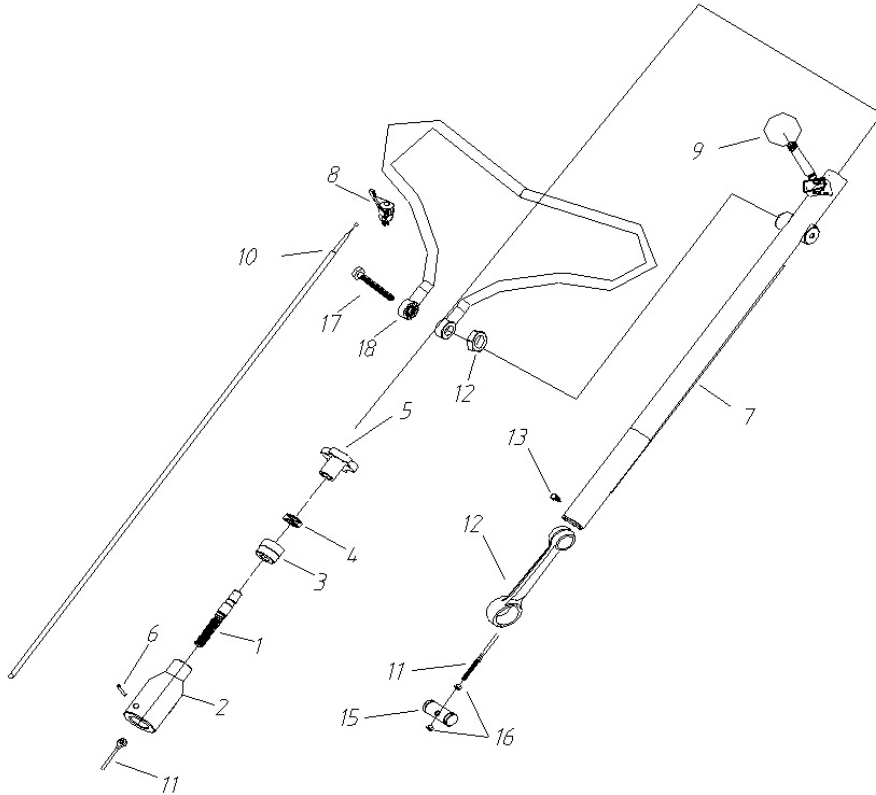
SER.NO	PART NO.	PART NAME
1	73006	belt protector
2	80081	spring washer
3	80083	nut
4	73004	shield
5	81081	hex bolt
6	81082	flat washer
7	80160	engine
8	80162	support

4.



SER.NO	PART NO.	PART NAME
1	75001	core
2	89107	bear
3	75004	clutch pulley
4	75005	friction block
5	75006	spring
6	75007	ring
7	82103	washer
8	75000	washer
9	14016	bolt M8x30
10	80081	bushing
11	81083	key
12	75008	big pully
13	89641	key
14	76016	washer
15	89625	M3x30 bolt
16		clutch assembly
17		belt

5.



SER.NO	PART NO.	PART NAME
1	70140	adjusting screw
2	74002	nut
3	89104	nylon bushing
4	74004	planar bearing
5	74005	handwheel
6	82061	spring pin
7	74006	lever
8	74008	Gas Lever
9	74025	Cord Comp.
10	74010	Cable-throttle
11	74011	Adjust blade cable
12	74012	rod
13	81107	bolt
14	80103	bear
15	89630	pin
16	80051	nut
17	81102	hex bolt
18	74019	handrail