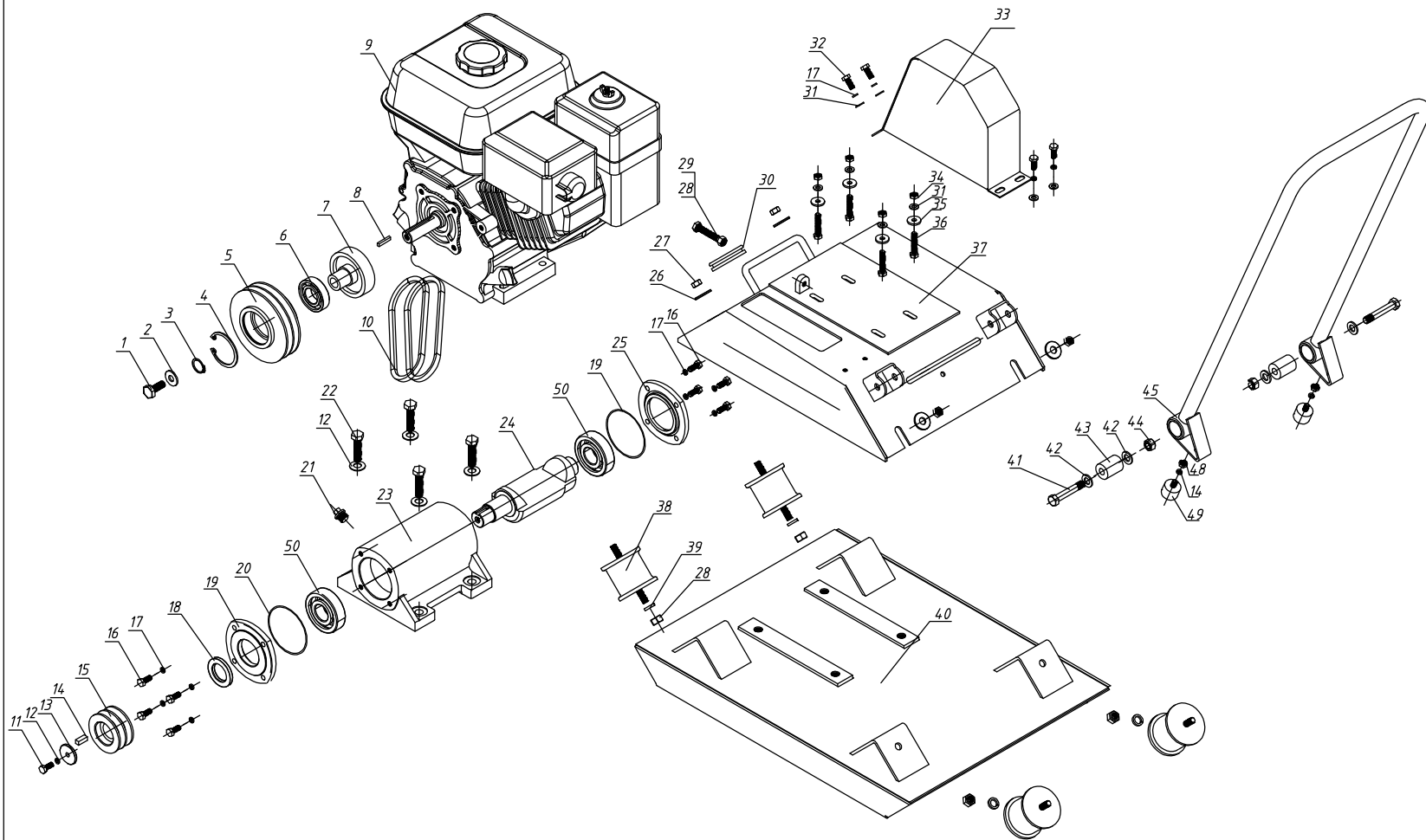


# KASEI

## The Parts List of Model HZR80T Vibratory Rammers



# KASEI

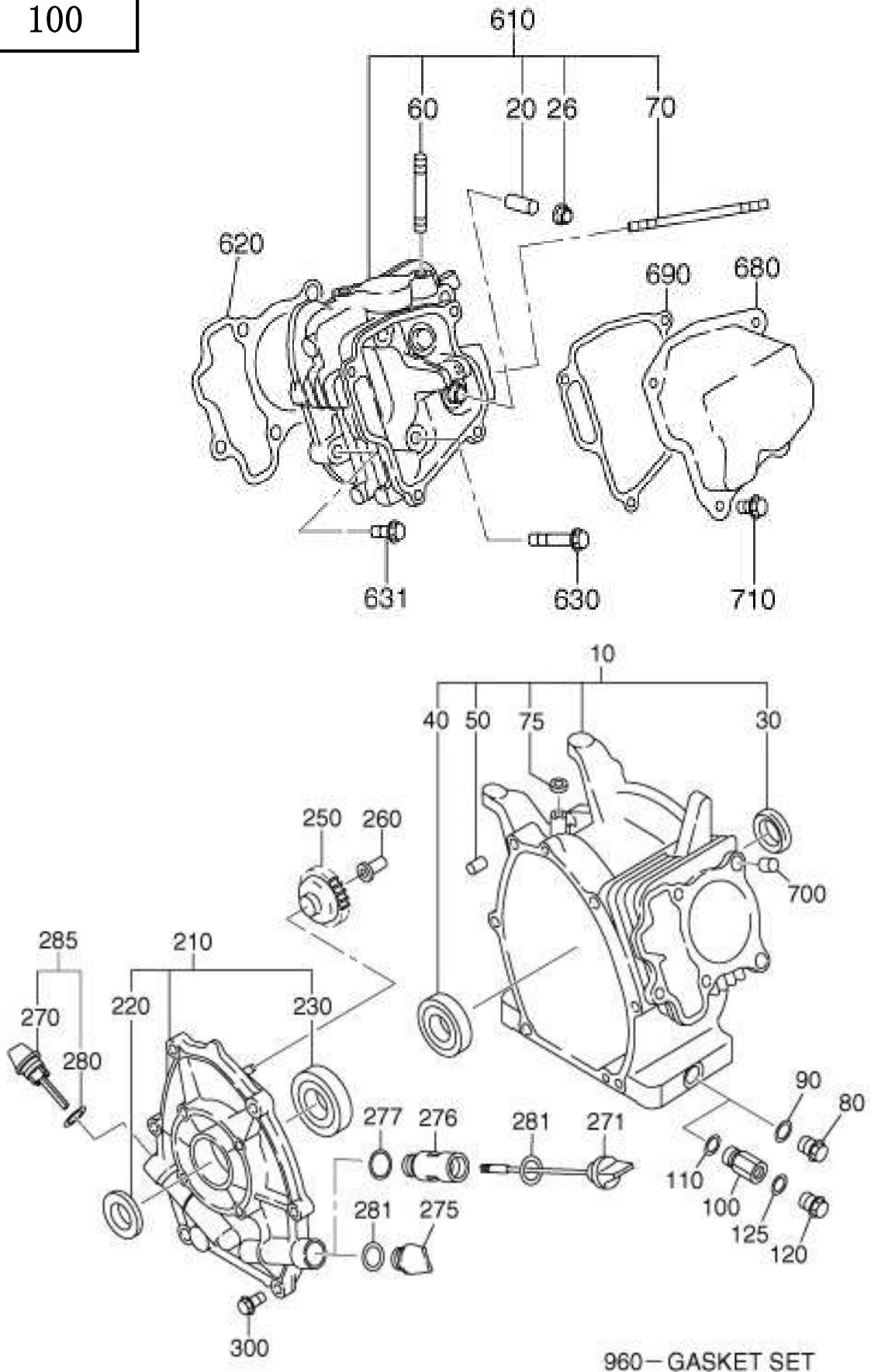
## The Parts List of Model HZR80T Vibratory Rammers

| SER.NO | PART NO.   | PART NAME             | QTY. | SER.NO | PART NO.   | PART NAME           | QTY. | SER.NO | PART NO.  | PART NAME     | QTY. |
|--------|------------|-----------------------|------|--------|------------|---------------------|------|--------|-----------|---------------|------|
| 1      | HZR96-10   | Screw 5/16-24         | 1    | 18     | GB/T13871  | TC 32 48 8F         | 1    | 35     | GB/T96    | Washer 8      | 4    |
| 2      | GB/T5287   | Washer 8              | 1    | 19     | JPC80.4-3  | Bearing holder      | 1    | 36     | GB/T5783  | Screw M8X45   | 4    |
| 3      | GB/T893.1  | Retaining ring 30     | 1    | 20     | GB/T3452.1 | O Sealing 80X3      | 2    | 37     | JPC80.2   | Console       | 1    |
| 4      | GB/T 894.1 | Ring 62               | 1    | 21     | JPC80.4-6  | Drain plug          | 1    | 38     | HZR80.7   | Shockmount    | 1    |
| 5      | JPC80.5-1  | Clutch drum           | 1    | 22     | GB/T5783   | Screw M12*45        | 4    | 39     | GB/T93    | Washer 10     | 6    |
| 6      | GB/T276    | Ball bearing 6206-2RS | 1    | 23     | JPC80.4-1  | Exciter housing     | 1    | 40     | JPC80.1   | Baseplate     | 1    |
| 7      | JPC80.5.1A | Clutch                | 1    | 24     | JPC80.4-2  | Exciter shaft       | 1    | 41     | HZR80-7   | Screw         | 2    |
| 8      | HZR96-9    | Key                   | 1    | 25     | JPC80.4-4  | Bearing holder      | 1    | 42     | GB/T97.1  | Washer 12     | 4    |
| 9      | 6.5HP      | Engineer              | 1    | 26     | GB/T96     | Washer 10           | 4    | 43     | JPC80-2   | Rubber sleeve | 2    |
| 10     | A29        | V belt                | 1    | 27     | GB/T889.1  | Nut M10             | 4    | 44     | GB/T889.1 | Nut M12       | 2    |
| 11     | GB/T5783   | Screw M12X30          | 1    | 28     | GB/T6170   | Nut M10             | 5    | 45     | JPC80.3B  | Handle        | 1    |
| 12     | GB/T93     | Washer 12             | 5    | 29     | GB/T5783   | Screw M10*50        | 1    | 46     | JPC80-3   | Fixed sleeve  | 2    |
| 13     | JPC80.4-7  | Washer                | 1    | 30     | HZR80-4    | Rubber stopper      | 1    | 47     | GB/T5783  | Screw M10X25  | 2    |
| 14     | GB/T1096   | Key A7*7*20           | 1    | 31     | GB/T97.1   | Washer 8            | 4    | 48     | GB/T6170  | Nut M8        | 2    |
| 15     | JPC80.4-5  | Pulley                | 1    | 32     | GB/T5783   | Screw M8*16         | 4    | 49     | HZR80.5.2 | Shockmount    | 2    |
| 16     | GB/T5783   | Screw M8X25           | 8    | 33     | HZR80.4A   | Kit-upper beltguard | 1    | 50     | NJ307EMC3 | Bearing       | 2    |
| 17     | GB/T93     | Washer 8              | 14   | 34     | GB/T889.1  | Nut M10             | 4    |        |           |               |      |

EX170 FIG. 100

1 CRANK CASE GROUP

FIG. 100



## KASEI EX17 engine IPL

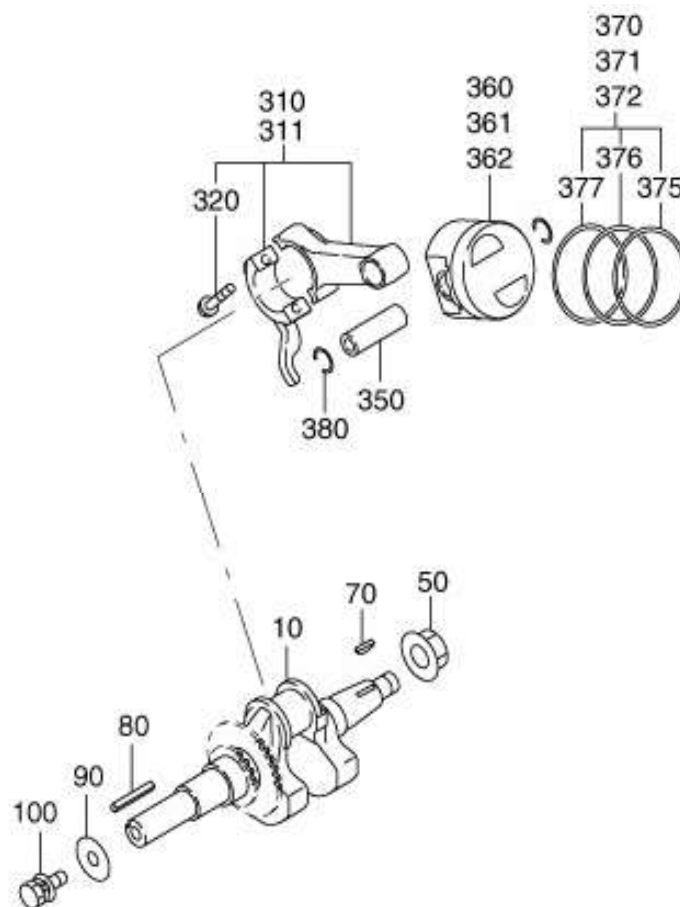
### 1 CRANK CASE GROUP

| REF. | PART NUMBER  | PART NAME             | QTY |  | REMARK  | REMARK | FIG. |
|------|--------------|-----------------------|-----|--|---------|--------|------|
| 10   | 20A-10103-11 | CRANK CASE CP         | 1   |  | 曲轴箱组件   |        | 100  |
|      | 20A-10103-01 | CRANK CASE CP         | 1   |  | 曲轴箱组件   |        | 100  |
|      | 20A-10103-02 | CRANK CASE UN         |     |  | 曲轴箱     |        |      |
| 26   | 20A-16010-01 | STEM SEAL             | 1   |  | 气门油封    |        | 100  |
| 30   | 20A-04801-00 | OIL SEAL              | 1   |  | 油封      |        | 100  |
| 40   | 20A-06101-00 | BALL BEARING          | 1   |  | 轴承      |        | 100  |
| 50   | 20A-15011-03 | PIPE KNOCK            | 2   |  | 定位销     |        | 100  |
| 60   | 20A-01611-00 | STUD                  | 2   |  | 双头螺栓    |        | 100  |
| 70   | 20A-01601-00 | STUD                  | 2   |  | 双头螺栓    |        | 100  |
| 75   | 20A-04802-00 | OIL SEAL              | 1   |  | 油封      |        | 100  |
| 80   | 20A-04101-00 | PLUG                  | 2   |  | 放油螺栓    |        | 100  |
| 90   | 20A-02202-00 | GASKET                | 2   |  | 垫片      |        | 100  |
| 210  | 20A-11002-01 | MAINBEARING COVER CP  | 1   |  | 曲轴箱盖组件  |        | 100  |
| 220  | 20A-04803-00 | OIL SEAL              | 1   |  | 油封      |        | 100  |
| 230  | 20A-06102-00 | BALL BEARING          | 1   |  | 滚珠轴承    |        | 100  |
| 250  | 20A-45004-01 | GOVERNOR GEAR CP      | 1   |  | 调速齿轮    |        | 100  |
| 260  | 20A-41901-03 | GOVERNOR SLEEVE       | 1   |  | 调速套筒    |        | 100  |
| 285  | 20A-63601-00 | OIL GAUGE AY          | 2   |  | 油标尺     |        | 100  |
| 300  | 20A-01101-00 | FLANGE BOLT           | 6   |  | 法兰螺栓    |        | 100  |
| 610  | 20A-13001-01 | CYLINDER HEAD CP      | 1   |  | 气缸头组件   |        | 100  |
|      | 20A1300102   | CYLINDER HEAD         | 1   |  |         |        |      |
| 620  | 20A-15001-03 | GASKET (HEAD)         | 1   |  | 气缸头垫片   |        | 100  |
| 630  | 20A-01102-00 | FLANGE BOLT           | 4   |  | 法兰螺栓    |        | 100  |
| 631  | 20A-01103-00 | FLANGE BOLT           | 1   |  | 法兰螺栓    |        | 100  |
| 680  | 20A-15505-01 | ROCKER COVER CP       | 1   |  | 缸盖罩     |        | 100  |
| 690  | 20A-16001-13 | GASKET (ROCKER COVER) | 1   |  | 垫片(缸盖罩) |        | 100  |
| 700  | 20A-15011-03 | PIPE KNOCK            | 2   |  | 定位销     |        | 100  |
| 710  | 20A-01111-00 | FLANGE BOLT           | 4   |  | 法兰螺栓    |        | 100  |

## EX170 FIG. 200

## 2 CRANKSHAFT, PISTON GROUP

FIG. 200



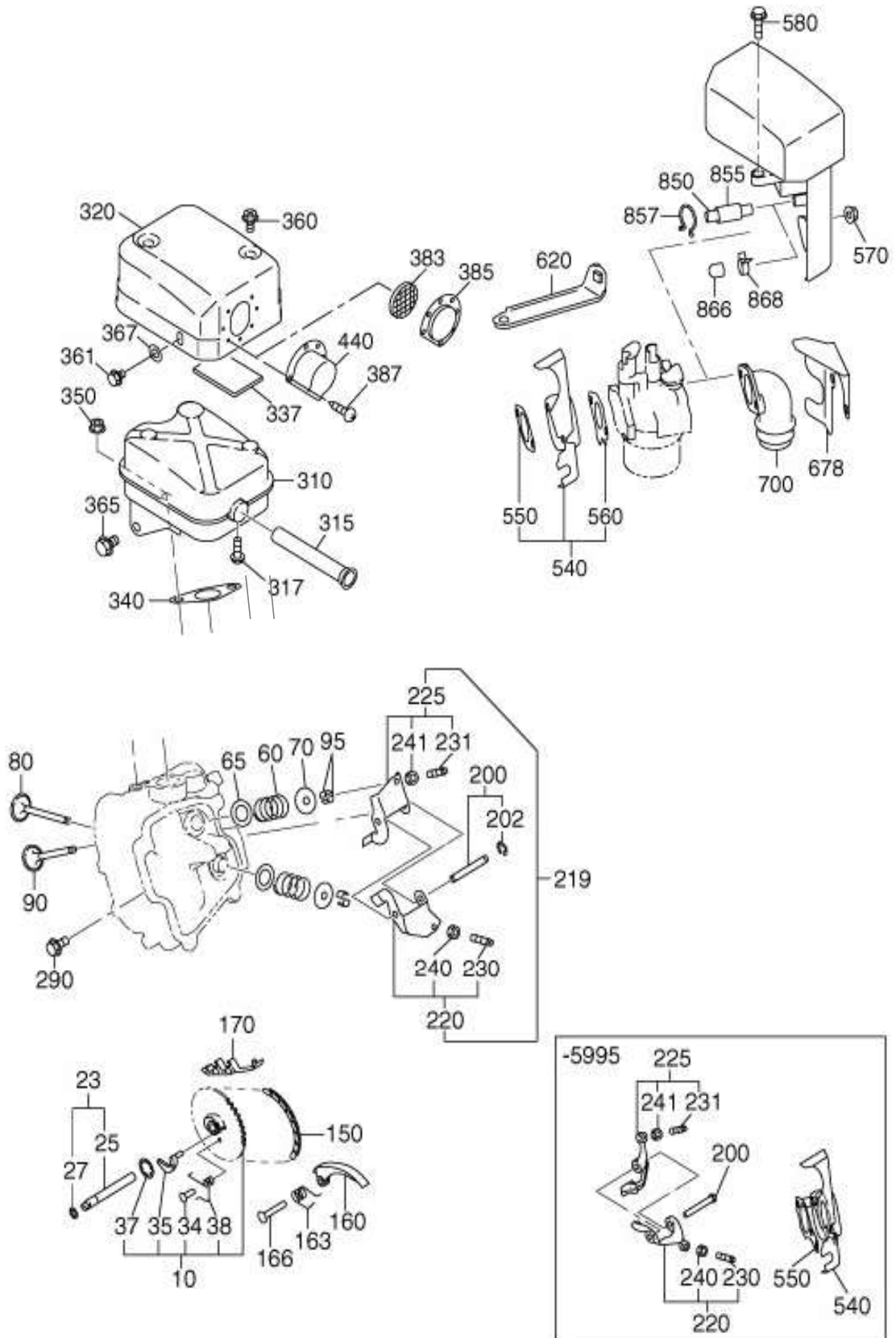
## 2 CRANKSHAFT, PISTON GROUP

| REF. | PART NUMBER  | PART NAME         | QTY | REMARK | REMARK | FIG. |
|------|--------------|-------------------|-----|--------|--------|------|
| 10   | 20A-21201-11 | CRANK SHAFT CP    | 1   | 曲轴     |        | 200  |
| 50   | 20A-01853-00 | FLANGE NUT        | 1   | 法兰螺母   |        | 200  |
| 70   | 20A-03601-00 | WOODRUFF KEY      | 1   | 半圆键    |        | 200  |
| 80   | 20A-03612-00 | KEY               | 1   | 曲轴平键   |        | 200  |
| 310  | 20A-22501-10 | CONNECTING ROD AY | 1   | 连杆总成   |        | 200  |
| 350  | 20A-23301-03 | PISTON PIN        | 1   | 活塞销    |        | 200  |
| 360  | 20A-23401-03 | PISTON            | 1   | 活塞     |        | 200  |
| 375  | 20A-23611-03 | TOP RING          | 1   | 一环     |        | 200  |
| 376  | 20A-23711-03 | SECOND RING       | 1   | 二环     |        | 200  |
| 377  | 20A-23931-01 | OIL RING CP       | 1   | 油环组合   |        | 200  |
| 380  | 20A-03201-00 | CLIP              | 2   | 活塞销挡圈  |        | 200  |

EX170 FIG. 300

3 INTAKE, EXHAUST GROUP

FIG. 300



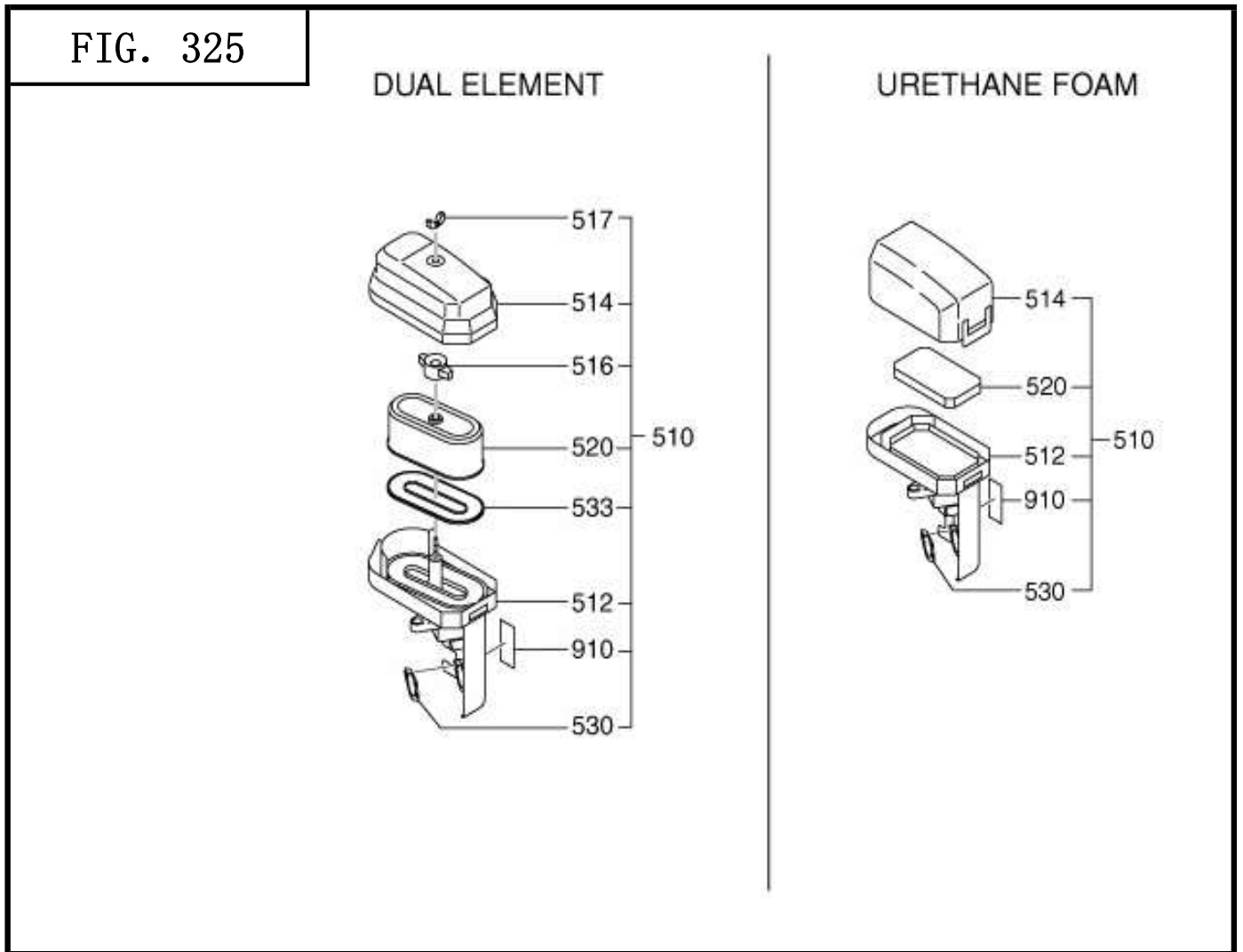
## KASEI EX17 engine IPL

## 3 INTAKE, EXHAUST GROUP

| REF. | PART NUMBER  | PART NAME           | QTY | REMARK    | REMARK | FIG. |
|------|--------------|---------------------|-----|-----------|--------|------|
| 10   | 20A-31601-01 | CAM SHAFT CP        | 1   | 凸轮轴       |        | 300  |
| 23   | 20A-35101-01 | PIN(CAM SHAFT)CP    | 1   | 销轴(凸轮轴)   |        | 300  |
| 27   | 20A-02801-00 | O RING              | 1   | O型圈       |        | 300  |
| 60   | 20A-33601-03 | VALVE SPRING        | 2   | 气门弹簧      |        | 300  |
| 70   | 20A-33701-03 | SPRING RETAINER     | 2   | 气门弹簧盘     |        | 300  |
| 80   | 20A-33401-03 | INTAKE VALVE        | 1   | 进气门       |        | 300  |
| 90   | 20A-33501-03 | EXHAUST VALVE       | 1   | 排气门       |        | 300  |
| 95   | 20A-33801-03 | COLLET-VALVE        | 4   | 气门卡锁      |        | 300  |
| 150  | 20A-35601-01 | TIMING CHAIN CP     | 1   | 正时链条      |        | 300  |
| 160  | 20A-36911-03 | TENTIONER           | 1   | 张紧器       |        | 300  |
| 163  | 20A-37101-03 | SPRING(TENTIONER)   | 1   | 弹簧(张紧器)   |        | 300  |
| 166  | 20A-36902-03 | PIN(TENTIONER)      | 1   | 销(张紧器)    |        | 300  |
| 170  | 20A-36913-03 | CHAIN GUIDE         | 1   | 链条导向板     |        | 300  |
| 200  | 20A-35004-01 | PIN(ROCKER) CP      | 1   | 摇臂销       |        | 300  |
| 202  | 20A-03211-00 | CLIP                | 1   | 卡簧        |        | 300  |
| 220  | 20A-36201-00 | ROCKER ARM(IN) AY   | 1   | 摇臂(进气)    |        | 300  |
| 225  | 20A-36202-00 | ROCKER ARM(EX) AY   | 1   | 摇臂(排气)    |        | 300  |
| 290  | 20A-01111-00 | FLANGE BOLT         | 1   | 法兰螺栓      |        | 300  |
| 310  | 20A-30101-11 | MUFFLER CP          | 1   | 消声器       |        | 300  |
| 320  | 20A-34201-10 | MUFFLER COVER CP    | 1   | 消声器罩      |        | 300  |
| 340  | 20A-35201-03 | GASKET(MUFFLER)     | 1   | 垫片(消声器)   |        | 300  |
| 350  | 20A-01851-20 | FLANGE NUT          | 2   | 法兰螺母      |        | 300  |
| 360  | 20A-01201-00 | TAPPING BOLT        | 2   | 自攻螺栓      |        | 300  |
| 361  | 20A-01112-00 | FLANGE BOLT         | 1   | 法兰螺栓      |        | 300  |
| 365  | 20A-01104-00 | FLANGE BOLT         | 1   | 法兰螺栓      |        | 300  |
| 367  | 20A-02101-00 | WASHER              | 1   | 垫圈        |        | 300  |
| 540  | 20A-32902-01 | INSULATOR CP        | 1   | 绝缘隔热板     |        | 300  |
| 550  | 20A-35903-03 | GASKET 2(INSULATOR) | 1   | 垫片(绝缘隔热板) |        | 300  |
| 560  | 20A-35902-03 | GASKET 1(INSULATOR) | 1   | 垫片(绝缘隔热板) |        | 300  |
| 570  | 20A-01852-00 | FLANGE NUT          | 2   | 法兰螺母      |        | 300  |
| 580  | 20A-01113-00 | FLANGE BOLT         | 1   | 法兰螺栓      |        | 300  |
| 850  | 20A-08111-00 | RUBBER PIPE         | 1   | 橡胶管       |        | 300  |

EX170 FIG. 325

3 INTAKE, EXHAUST GROUP

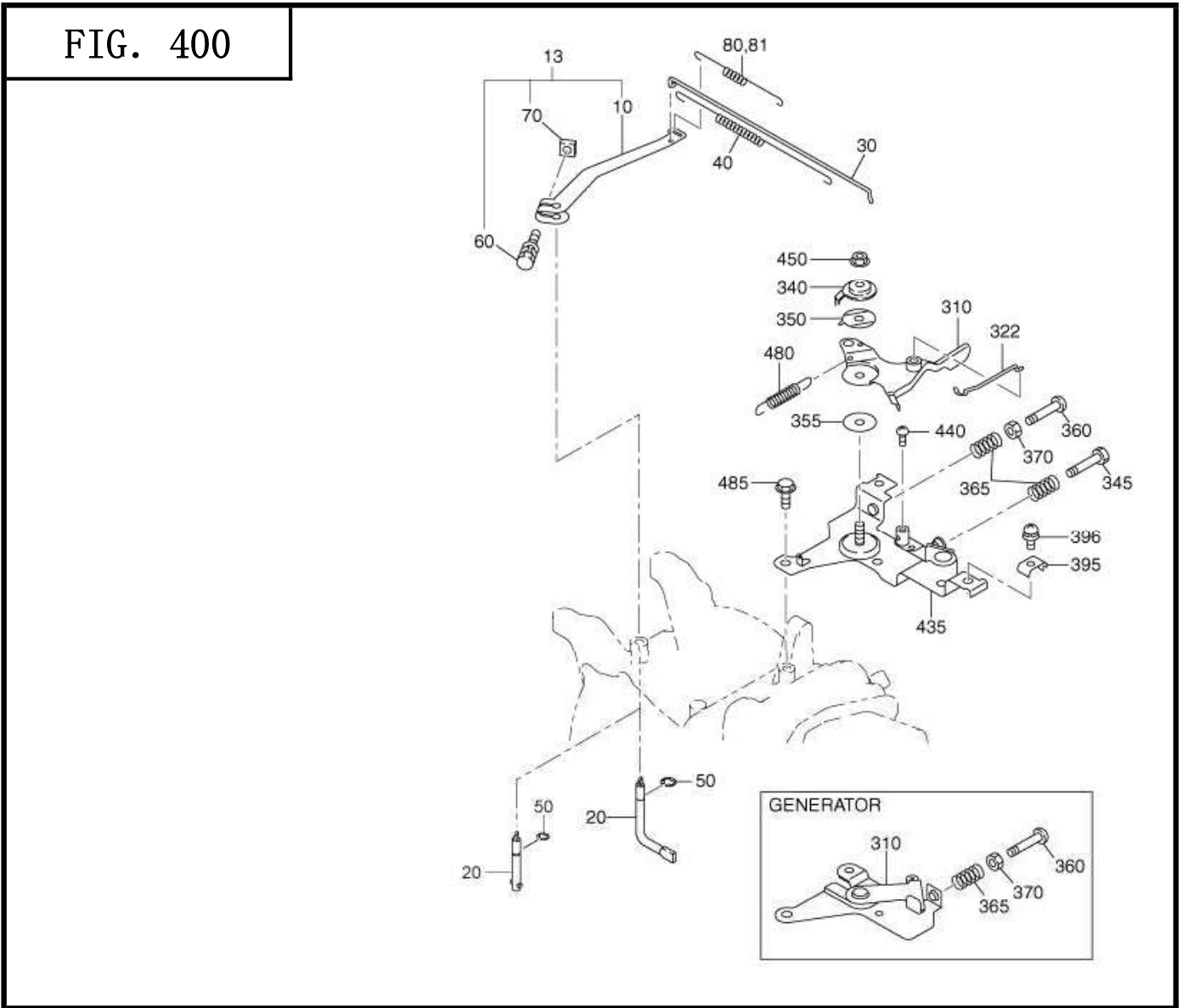


3 INTAKE, EXHAUST GROUP

| REF. | PART NUMBER  | PART NAME      | QTY | REMARK   | REMARK | FIG. |
|------|--------------|----------------|-----|----------|--------|------|
| 510  | 20A-32633-00 | AIR CLEANER AY | 1   | 空滤总成     |        | 325  |
| 520  | 20A-32636-00 | ELEMENT AY     | 1   | 滤芯       |        | 325  |
| 530  | 20A-32614-03 | PACKING        | 1   | 空滤器垫片    |        | 325  |
| 910  | 20A-32615-03 | LABEL          | 1   | 标签 (阻风门) |        | 325  |

EX170 FIG. 400

4 GOVERNOR OPERATION GROUP



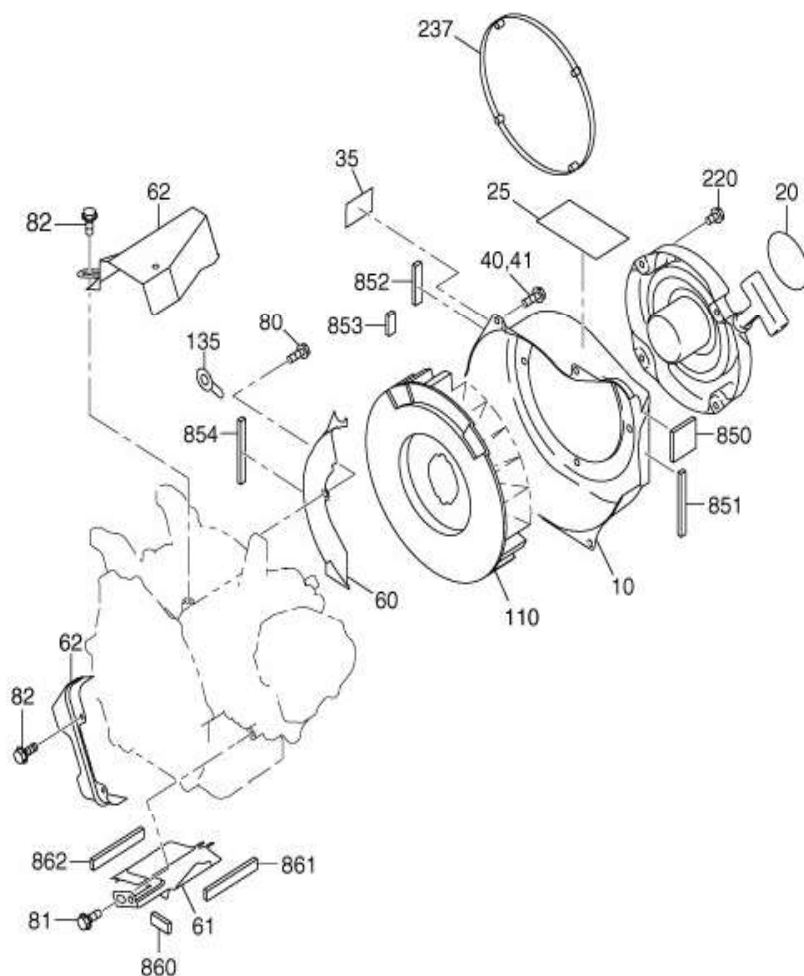
4 GOVERNOR OPERATION GROUP

| REF.    | PART NUMBER  | PART NAME         | QTY | REMARK | REMARK | FIG. |
|---------|--------------|-------------------|-----|--------|--------|------|
| 13      | 20A-42301-00 | GOVERNOR LEVER AY | 1   | 摆动杆    |        | 400  |
| 20      | 20A-42201-03 | GOVERNOR SHAFT    | 1   | 调速器推杆  |        | 400  |
| 30      | 20A-42701-01 | GOVERNOR ROD CP   | 1   | 调速器拉杆  |        | 400  |
| 40      | 20A-42801-03 | ROD SPRING        | 1   | 拉杆拉簧   |        | 400  |
| 50      | 20A-03211-00 | CLIP              | 1   | 卡簧     |        | 400  |
| 80      | 20A-42510-03 | GOVERNOR SPRING   | 1   | 调速弹簧   |        | 400  |
| 310-480 | 20A-46502-00 | SPEED CONT AY     | 1   | 调速机构部件 |        | 400  |
| 485     | 20A-01111-00 | FLANGE BOLT       | 2   | 法兰螺栓   |        | 400  |

## EX170 FIG. 500

## 5 COOLING, STARTING GROUP

FIG. 500



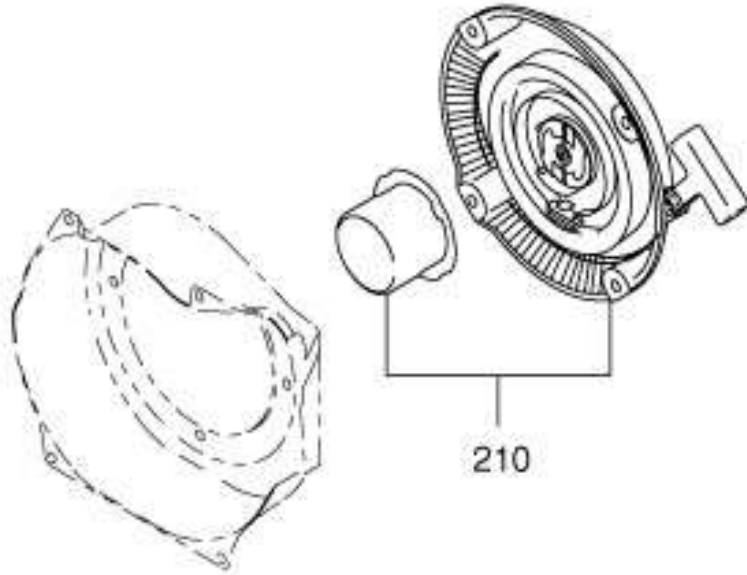
## 5 COOLING, STARTING GROUP

| REF. | PART NUMBER  | PART NAME          | QTY | REMARK  | REMARK | FIG. |
|------|--------------|--------------------|-----|---------|--------|------|
| 10   | 20A-51203-11 | BLOWER HOUSING CP  | 1   | 导风罩     |        | 500  |
| 20   |              | LABEL (TRADE MARK) | 1   | 标签 (商标) |        | 500  |
| 40   | 20A-01114-00 | FLANGE BOLT        | 4   | 法兰螺栓    |        | 500  |
| 60   | 20A-52711-01 | BAFFLE 1 (CASE) CP | 1   | 箱体导风板   |        | 500  |
| 61   | 20A-52702-01 | BAFFLE 2 (HEAD) CP | 1   | 缸头导风板   |        | 500  |
| 80   | 20A-01115-00 | FLANGE BOLT        | 1   | 法兰螺栓    |        | 500  |
| 81   | 20A-01111-00 | FLANGE BOLT        | 1   | 法兰螺栓    |        | 500  |
| 110  | 20A-54101-13 | COOLING BLOWER     | 1   | 风扇      |        | 500  |
| 220  | 20A-01114-00 | FLANGE BOLT        | 4   | 法兰螺栓    |        | 500  |

EX170 FIG. 522

5 COOLING, STARTING GROUP

FIG. 522



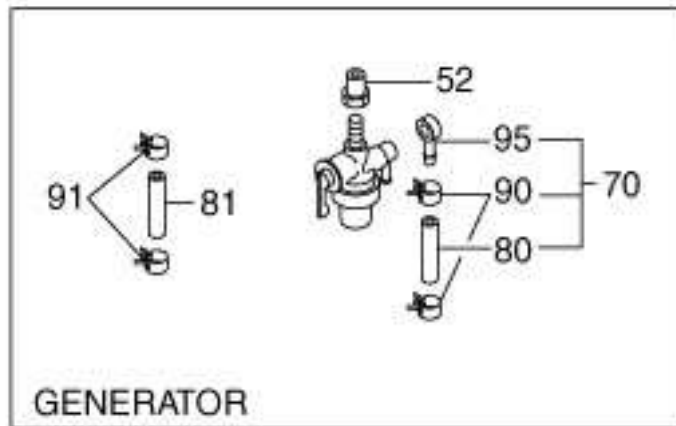
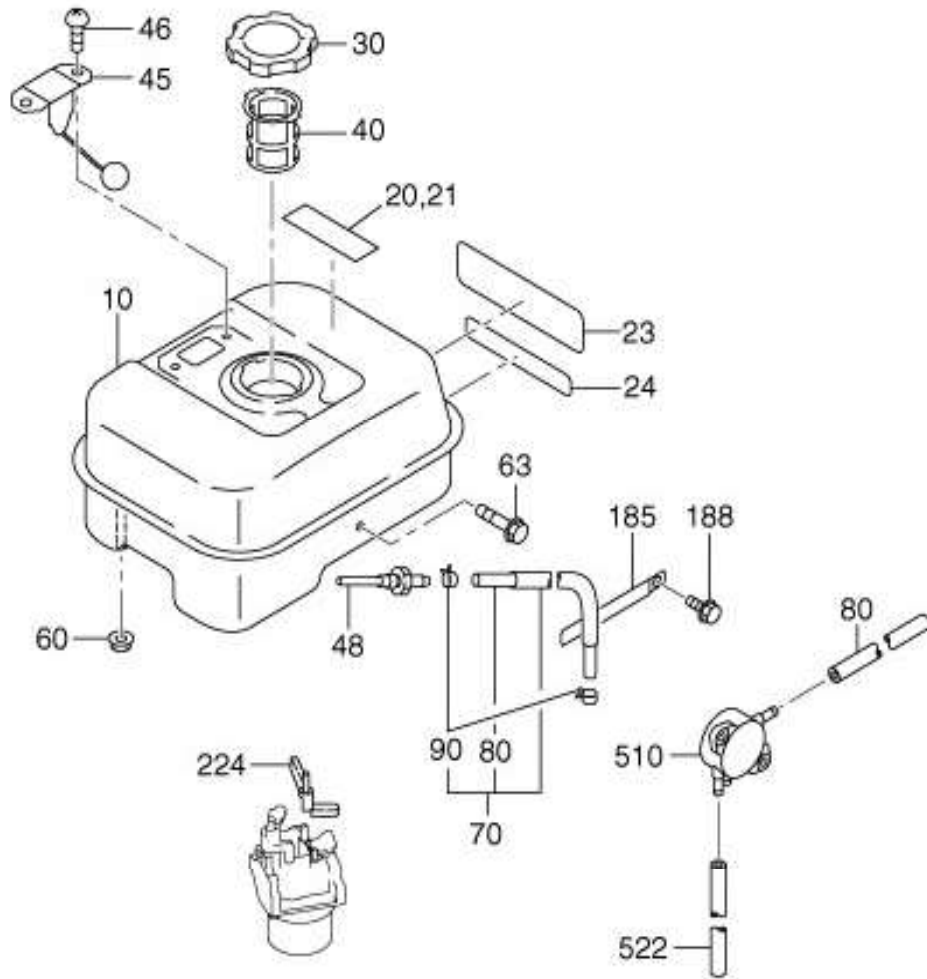
5 COOLING, STARTING GROUP

| REF. | PART NUMBER  | PART NAME         | QTY | REMARK | REMARK | FIG. |
|------|--------------|-------------------|-----|--------|--------|------|
| 210  | 20A-50201-30 | RECOIL STARTER AY | 1   | 起动机部件  |        | 522  |

EX170 FIG. 600

6 FUEL, LUBRICANT GROUP

FIG. 600



## KASEI EX17 engine IPL

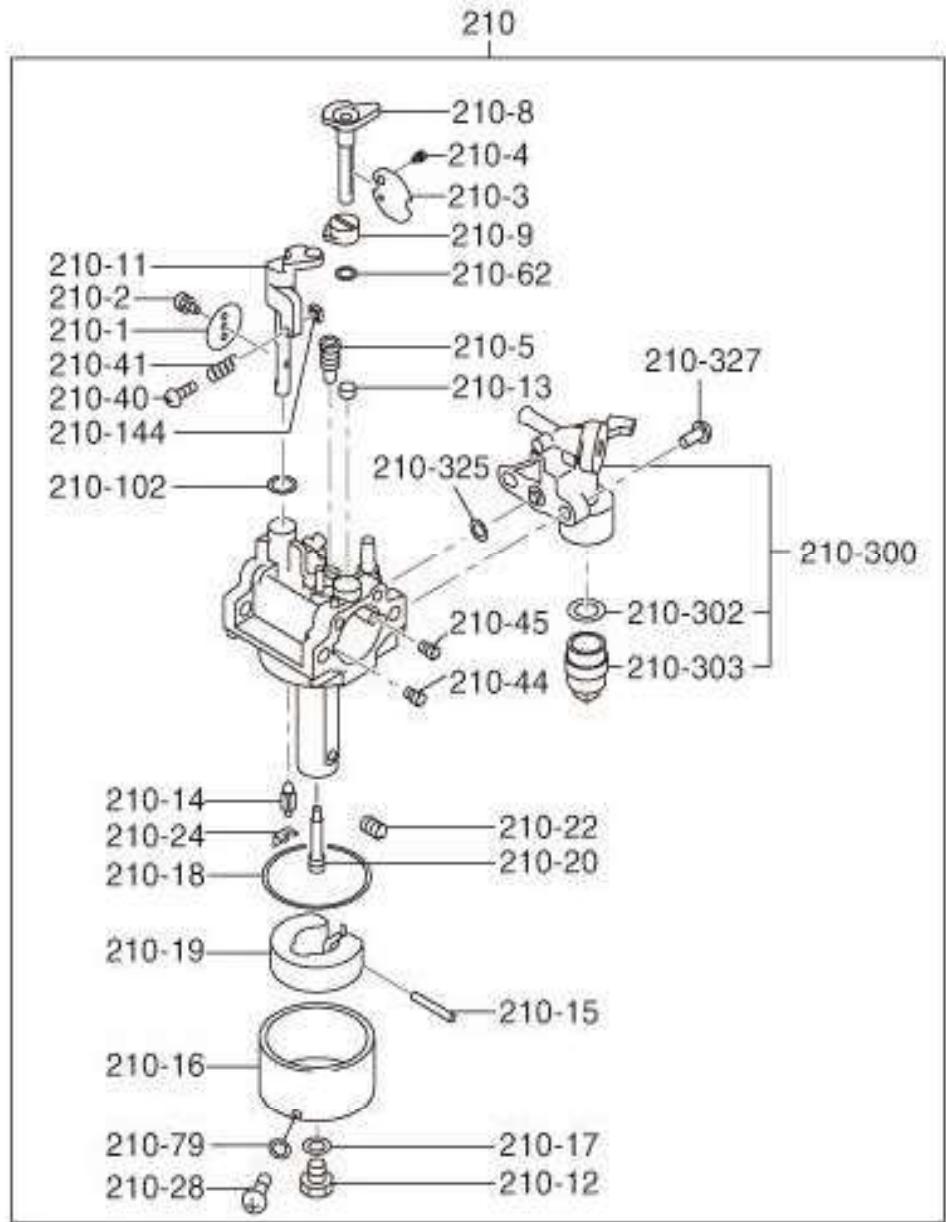
### 6 FUEL, LUBRICANT GROUP

| REF. | PART NUMBER  | PART NAME        | QTY |  | REMARK      | REMARK | FIG. |
|------|--------------|------------------|-----|--|-------------|--------|------|
| 10   | 20A-61101-11 | FUEL TANK CP     | 1   |  | 燃油箱         |        | 600  |
| 20   | X73-20057-60 | LABEL (WARNING)  | 1   |  | 标签 (警示标签)   |        | 600  |
| 23   | 20A-09709-00 | LABEL (EX17)     | 1   |  | 型号标签 (EX17) |        | 600  |
| 30   | 20A-04401-00 | FUEL TANK CAP CP | 1   |  | 油箱盖         |        | 600  |
| 40   | 20A-06401-00 | FUEL FILTER      | 1   |  | 油箱滤网        |        | 600  |
| 48   | 20A-06402-00 | UNION            | 1   |  | 油嘴组         |        | 600  |
| 60   | 20A-01852-00 | FLANGE NUT       | 2   |  | 法兰螺母        |        | 600  |
| 63   | 20A-01116-00 | FLANGE BOLT      | 1   |  | 法兰螺栓        |        | 600  |
| 70   | 20A-62605-01 | FUEL PIPE CP     | 1   |  | 燃油管         |        | 600  |
| 80   | 20A-08104-00 | RUBBER PIPE      | 1   |  | 橡胶管         |        | 600  |
| 90   | 20A-05804-00 | HOSE CLAMP       | 2   |  | 管夹          |        | 600  |
| 224  | 20A-43801-01 | CHOKE LEVER CP   | 1   |  | 阻风门手柄       |        | 600  |

EX170 FIG. 640

6 FUEL, LUBRICANT GROUP

FIG. 640



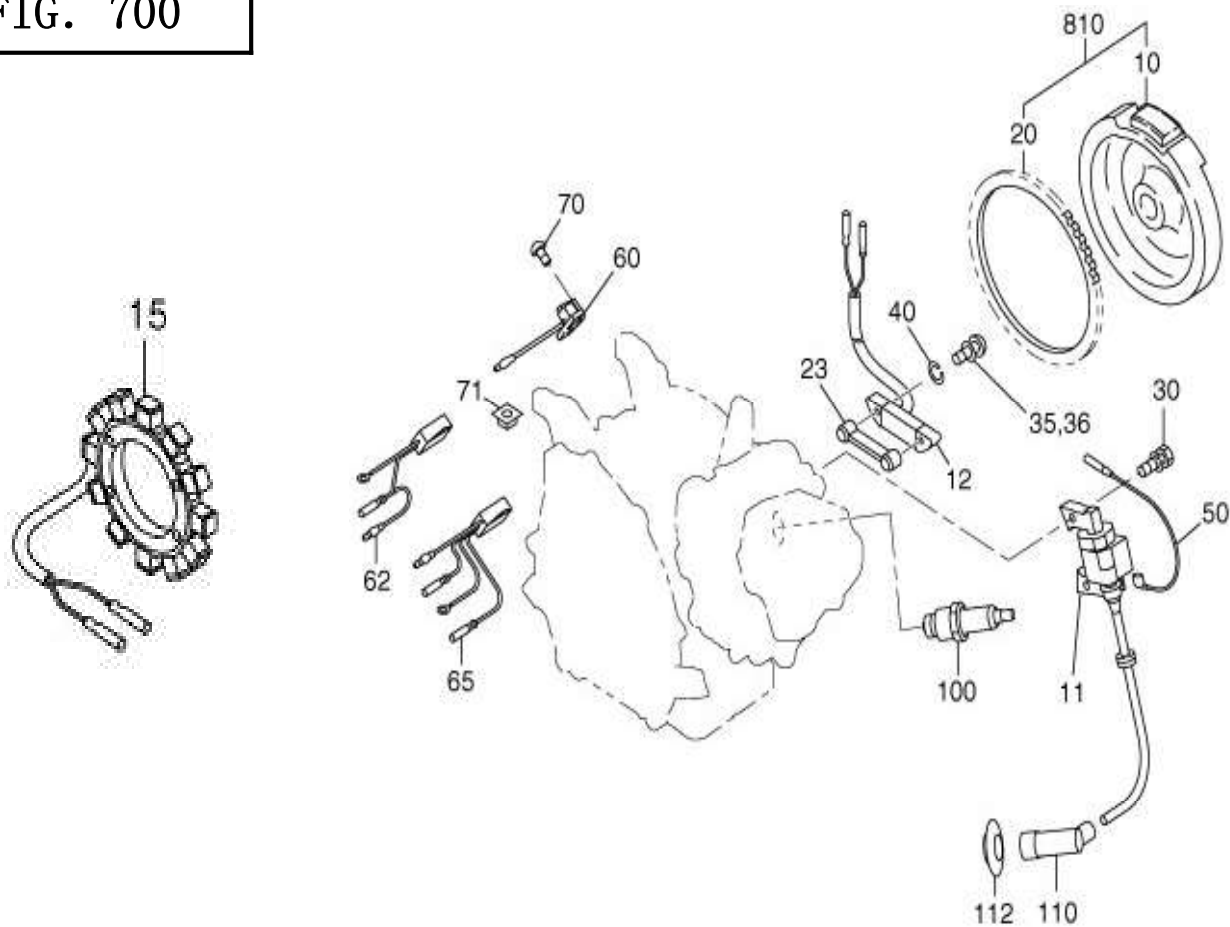
6 FUEL, LUBRICANT GROUP

| REF. | PART NUMBER  | PART NAME     | QTY | REMARK | REMARK | FIG. |
|------|--------------|---------------|-----|--------|--------|------|
| 210  | 20A-62302-60 | CARBURETOR AY | 1   | 化油器总成  |        | 640  |

EX170 FIG. 700

7 ELECTRIC DEVICE GROUP

FIG. 700



7 ELECTRIC DEVICE GROUP

| REF. | PART NUMBER  | PART NAME          | QTY | REMARK | REMARK | FIG. |
|------|--------------|--------------------|-----|--------|--------|------|
| 10   | 20A-79231-01 | FLYWHEEL CP        | 1   | 飞轮     |        | 700  |
| 11   | 20A-79431-01 | IGNITION COIL CP   | 1   | 点火线圈   |        | 700  |
| 30   | 20A-01302-00 | BOLT AND WASHER AY | 2   | 螺栓组合件  |        | 700  |
| 50   | 20A-73101-01 | WIRE 1 CP          | 1   | 熄火线1   |        | 700  |
| 60   | 20A-06601-00 | SWITCH AY          | 1   | 停止开关   |        |      |
| 70   | 20A-01403-00 | TAPPING SCREW      | 2   | 螺丝     |        |      |
| 100  | 20A-06701-00 | SPARK PLUG         | 1   | 火花塞    |        | 700  |
| 110  | 22E-06801-00 | SPARK PLUG CAP     | 1   | 火花塞帽   |        | 700  |