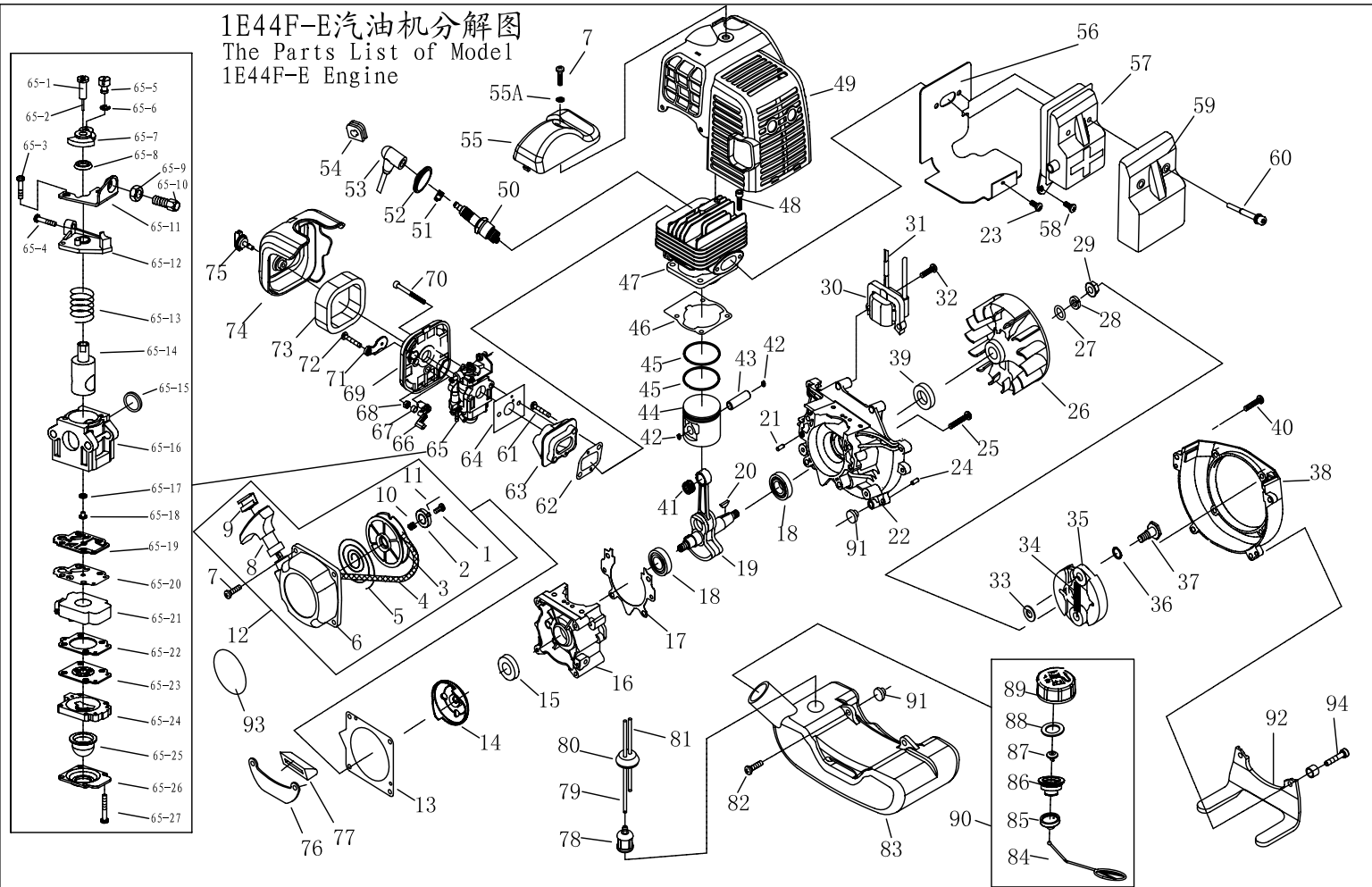


1E44F-E汽油机分解图

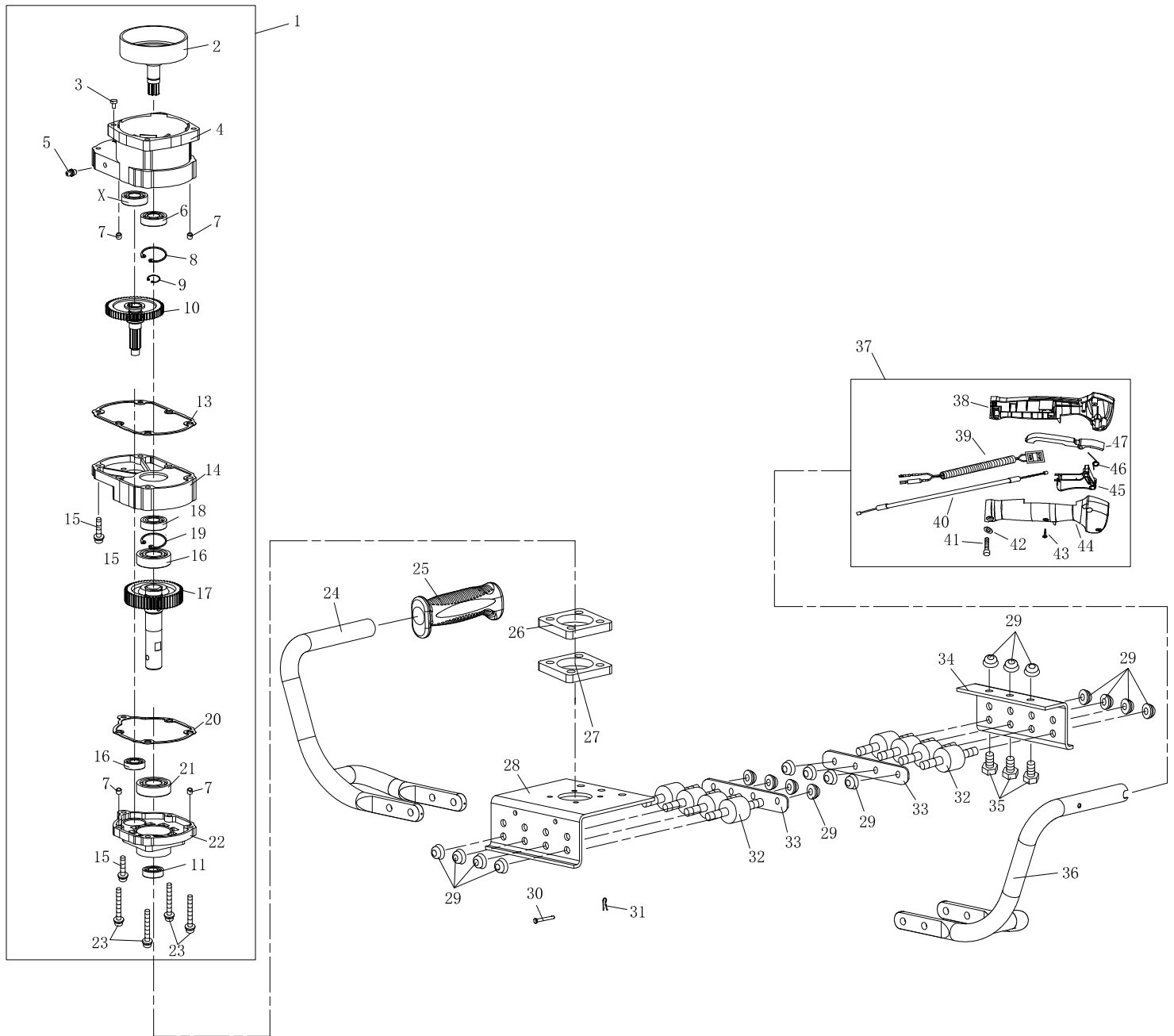
The Parts List of Model 1E44F-E Engine



序号 NO.	代号 Part No.	名称 Part Name	数量 Qty.	序号 NO.	代号 Part No.	名称 Part Name	数量 Qty.	序号 NO.	代号 Part No.	名称 Part Name	数量 Qty.	序号 NO.	代号 Part No.	名称 Part Name	数量 Qty.
1	1E36FE. 9-3	螺钉 Screw	1	32	GB70+GB93+GB97	螺栓组合件 M5 × 20 Bolt M5 × 20	2	62	1E40-5-2	进气管垫 Gasket	1	66	1E34F. 1-2	阻风门手柄 Choker Handle	1
2	1E36FE. 9-4	起动机 Ratchet	1	33	1E36F-3	垫圈B WasherB	2	63	HA46. 9	进气管 Admitting Pipe	1	67	1E34F. 1-7	止退塞 Stop ring	1
3	1E36FE. 9-1	绳轮 Starter Rope Reel	1	34	1E36F-E. 6B-1	拉簧 Spring	1	64	1E40-5A-1	化油器垫 Gasket	1	68	GB/T6170	螺母 M4 Nut M4	1
4	1E36FE. 9-5	起动机绳 Starter Rope	1	35	1E36F-E. 6B	涨紧块 Expander	2	65	1E40F-2E. 1A	化油器 Carburetor	1	69	1E34F. 1. 1	空滤器内罩 Cleaner inside cover	1
5	1E36FE. 9-7	起动机平簧 Recoil Spring	1	36	1E40F-5-11	波形垫圈 Washer	2	65-1		主量针套 Thimble	1	70	GB70+GB97	螺钉组合件 M5X50 Screw M5x50	2
6	1E36FE. 9-8	壳体 Starter Cover Ass'y	1	37	P40-18	螺钉轴 Screw Pin	2	65-2		主量针 Main Needle	1	71	1E34F. 1-3	阻风门 Choker	1
7	GB70+GB93+GB97	螺钉组合件 M5 × 20 Screw M5 × 20	5	38	1E40F-5-9B	磁电机罩壳 Fan Cover	1	65-3		油门调节螺钉 Screw	1	72	GB/T845	自攻螺钉 ST4. 2X12 Screw ST4. 2X12	1
8	1E40FP-3Z. 4-2	起动机手把 Start Handle	1	39	1E40F-5. 9	大油封 Oil-seal	1	65-4	GB/T823	螺钉 M3 × 10 Screw M3 × 10	2	73	1E34F. 1-1	滤芯 Filter Net	1
9	1E40FP-3Z. 4-10	增强套 Ring	1	40	GB70+GB93+GB97	螺栓组合件 M5 × 25 Screw M5 × 25	2	65-5		挂线轴 Swivel	1	74	1E36F-E. 7-1	空滤器外罩 Cleaner Outside Cover	1
10	1E36FE. 9-6	压簧 Spring	1	41	1E44F-2A. 2-3	小头滚针轴承 Bearing	1	65-6	GB896	开口当圈 3. 5 Ring 3. 5	1	75	1E34F. 1. 2	大头螺钉 Screw	1
11	1E36FE. 9-2	起动机拨杆 Start pole	2	42	1E40F-03. 02. 01	活塞销挡圈 Ring	2	65-7		旋架 Turn Frame	1	76	1E36F-E-5	油箱挂架 Stand	1
12	1E36FE. 9	起动机 Starter	1	43	1E44F-E. 3-1	活塞 Piston	1	65-8		密封圈 Airproof Ring	1	77	1E40F-5A-2	橡胶套 Rubber Cover	1
13	1E40F-5-10	起动机垫 Gasket	1	44	1E44F-2A. 2-2	活塞销 Piston Pin	1	65-9	GB/T6172	螺母 M6 Nut M6	1	78	P40. 12. 2-3A	燃油过滤器 Cleaner Cover	1
14	1E36FE. 7	起动机拨盘焊合 Start Reel	1	45	1E44F-2A. 2-4	活塞环 Piston Ring	2	65-10		挂线调节螺母 Nut, Adjuster	1	79	1E34F. 9. 2-2	输油管 3 × 1 × 185 Fuel Pipe 3 × 1 × 185	1
15	1E36F. 2	小油封 Oil-seal	1	46	1E40F-5-6	缸垫 Gasket	1	65-11		上压板 Bracket	1	80	1E36FF. 8. 1-1	油管胶塞 Plug	1
16	1E40F-E. 6-2	后半曲轴箱 Crank Case	1	47	1E44F-E-1	缸体 Cylinder	1	65-12		固定板 Fixed Board	1	81	GB/T13527. 1	回油管 3 × 1 × 80 Fuel Pipe 3 × 1 × 80	1
17	1E40F-5. 8-4	曲轴箱密封垫 Gasket	1	48	GB/T70. 1	螺钉 M5 × 20 Screw M5 × 20	4	65-13		扭簧 Spring	1	82	GB70. 1+GB93+GB96	螺钉组合件 M5 × 16 Screw M5 × 16	2
18	GB/T276	轴承 6202/P5 Bearing 6202/P5	2	49	1E44FL-E. 1A	缸体护罩组合 Guide Cover Ass'y	1	65-14		柱塞 Column	1	83	1E40F-HS. 5. 1	油箱 Fuel Tank	1
19	1E40F-E. 4. 1A	曲轴连杆组 Crank Shaft	1	50	L8RTC	火花塞 Spark Plug	1	65-15		密封垫 Ring	1	84	1E32FL. 6. 2-4	防脱链 Chain	1
20	GB1099	半圆键 3 × 5 × 13 Key 3x5x13	1	51	1E40F-3A. 8-2	火花塞卡簧 Spring	1	65-16		上本体 OverBody	1	85	1E32FL. 6. 2-3	端盖 End Cover	1
21	GB119	销 B4 × 10 Pin B4 × 10	2	52	1E34F. 5-3	火花塞罩 Plug Cap	1	65-17		O形圈 O Ring	1	86	1E32FL. 6. 2-2	油箱内盖 Inside Cover	1
22	1E40F-E. 6-1	前半曲轴箱 Crank Case	1	53	1E34F. 5-2	高压帽 Cap	1	65-18		主量孔 Pinhole	1	87	EB-415. 4. 1. 1-1	进气嘴 Inlet	1
23	GB70+GB93+GB97	螺钉组合件 M4 × 12 Screw M4 × 12	1	54	1E40F-5. 3-1	胶塞 Plug	1	65-19		中体密封片 Gasket, Pump	1	88	CG420. 1. 3. 1-2	密封垫 Gasket	1
24	GB119	销 B4 × 10 Pin B4 × 10	2	55	1E40F-E-4	上压盖 Cover	1	65-20		中体膜片 Diaphragm, Pump	1	89	1E32FL. 6. 2-1	油箱盖 Fuel Tank Lid	1
25	GB70+GB93+GB97	螺钉组合件 M5 × 30 Screw M5 × 30	4	55A	1E36F-2C-1	隔热垫 (二) Gasket	1	65-21		中体部件 Mid-body	1	90	1E32FL. 6. 2	油箱盖组合 Lid Ass'y	1
26	1E40F-E. 3. 1-1	磁电机转子 MAGNETO ROTOR COMP.	1	56	1E40F-E-2	消音器垫 Gasket	1	65-22		下体密封片 Gasket Diaphragm	1	91	1E40F-5A-3	橡胶垫 Rubber washer	2
27	GB/T859	垫圈B WasherB	1	57	1E44FL-E. 4	消音器组 Muffler	1	65-23		吸油膜片部件 Diaphragm	1	92	1E40F-5A. 3	油箱支架 Stand	1
28	GB/T97. 1	垫圈B WasherB	1	58	GB70+GB93+GB97	螺钉组合件 M5 × 12 Screw M5 × 12	2	65-24		下体部件 Body Purge	1	93	1E36F-2-10	起动机标签 Label	1
29	GB6170	螺母 M8 Nut M8	1	59	1E40F-2E-DZ-1	隔热罩 Cover	1	65-25		油杯 Pump Priming	1	94	GB70+GB93+GB97	螺钉组合件 M5 × 30 Screw M5 × 30	2
30	1E40F-E. 3. 1-2	磁电机定子 IGNITION COIL COMP.	1	60	GB70+GB97	螺钉组合件 M6 × 60-12. 9 Screw M6 × 60-12. 9	2	65-26		下压板 Cover Pump	1				
31	3WT-300. 7A	停车线组 Cord Comp.	1	61	GB70+GB93+GB97	螺钉组合件 M5 × 25 Screw M5 × 25	2	65-27	GB/T818	螺钉 M3 × 22 Screw M3 × 22	4				

The Parts List of Model 3WT-300A Earth Auger80310907

1/1



NO.	PART NO.	PART NAME	QTY.	NO.	PART NO.	PART NAME	QTY.	NO.	PART NO.	PART NAME	QTY.
1	3WT-300.1A	Gear Box	1	22	3WT-300.1A-3	Case Cover	1	43	GB/T845	Screw ST3.5×13	4
2	3WT-300.1A.1	Clutch Drum Comp.	1	23	GB/T70.1+GB/T93+GB/T97.1	Screw M6×55	4	44	BC36.3-1	Box, Right	1
3	M5	Vent-plug	1	24	3WT-300.5.1A	Handle	1	45	BC36.3-6	Handgrip	1
4	3WT-300.1A-1	Wheel Box	1	25	3WT-300.2-1A	Rubber Ringer	1	46	BC36.3-5	Spring	1
5	GB/T1152	Fuel Cup M6	2	26	3WT-300.13-1	Space	1	47	BC36.3-3	Handgrip	1
6	GB/T276	Bearing 6202-2RS/P5	3	27	3WT-300.13-2	Rubber Washer	1				
7	6MF-30.1-14	Bushing	4	28	3WT-300-4D	Brace I	1				
8	GB/T893.1	Stop ring 35	1	29	GB/6183.1	Nut M5	19				
9	GB/T894.1	Stop ring 15	1	30	3WT-300-3B	Shaft	1				
10	3WT-300.1A.2	Primary Gear Comp.	1	31	3WF-2.6A-2	Pin	1				
11	GB/T13871	Oil Seal 35x20x7	1	32	3WT-300.9	Rubber pole	8				
12			1	33	3WT-300-7	Cushion	2				
13	3WT-300.1A-10	Gasket	1	34	3WT-300-6D	Brace II	1				
14	3WT-300.1A-2	Wheel Box	1	35	GB/T5783	Screw M8×20	3				
15	GB/T70.1+GB/T93+GB/T97.1	Screw M6×30	3	36	3WT-300.4.1A	Handle	1				
16	GB/T276	Bearing 6201-2RS/P5	3	37	3WT-300.2.2	Lever Ass'y	1				
17	3WT-300.1A.3	Secondary Gear Comp.	1	38	BC36.3.3	Box, Left	1				
18	GB/T276	Bearing 6000-2RS/P5	1	39	3WT-300.2.2.1	Stop Button Comp.	1				
19	GB/T893.1	Stop ring 26	1	40	3WT-300.2.2.2	Cable Comp.	1				
20	3WT-300.1A-11	Gasket	1	41	GB/T818	Screw M5×30	1				
21	GB/T276	Bearing 6004-2RS/P5	1	42	GB/T848	Washer 5	1				