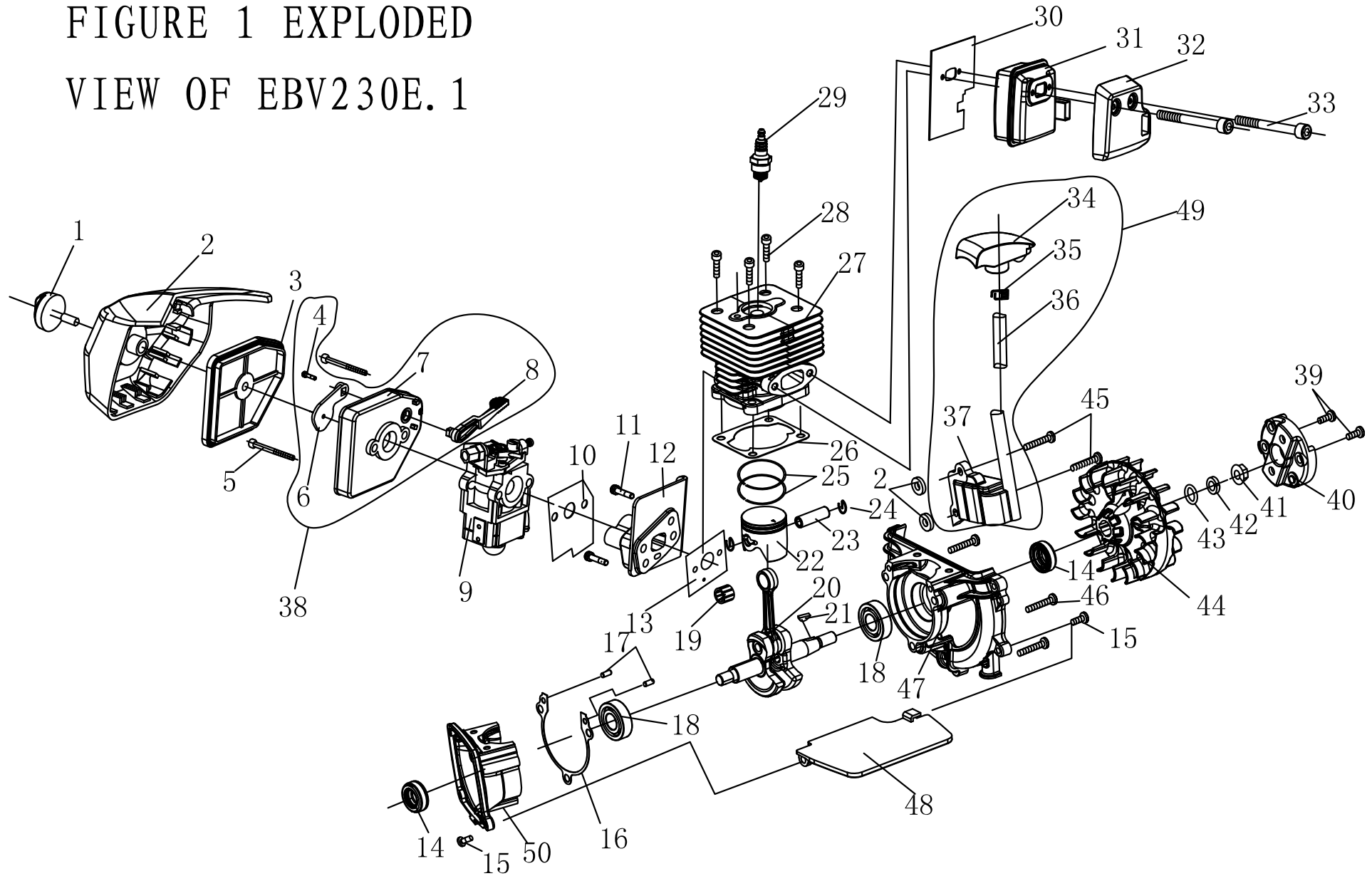


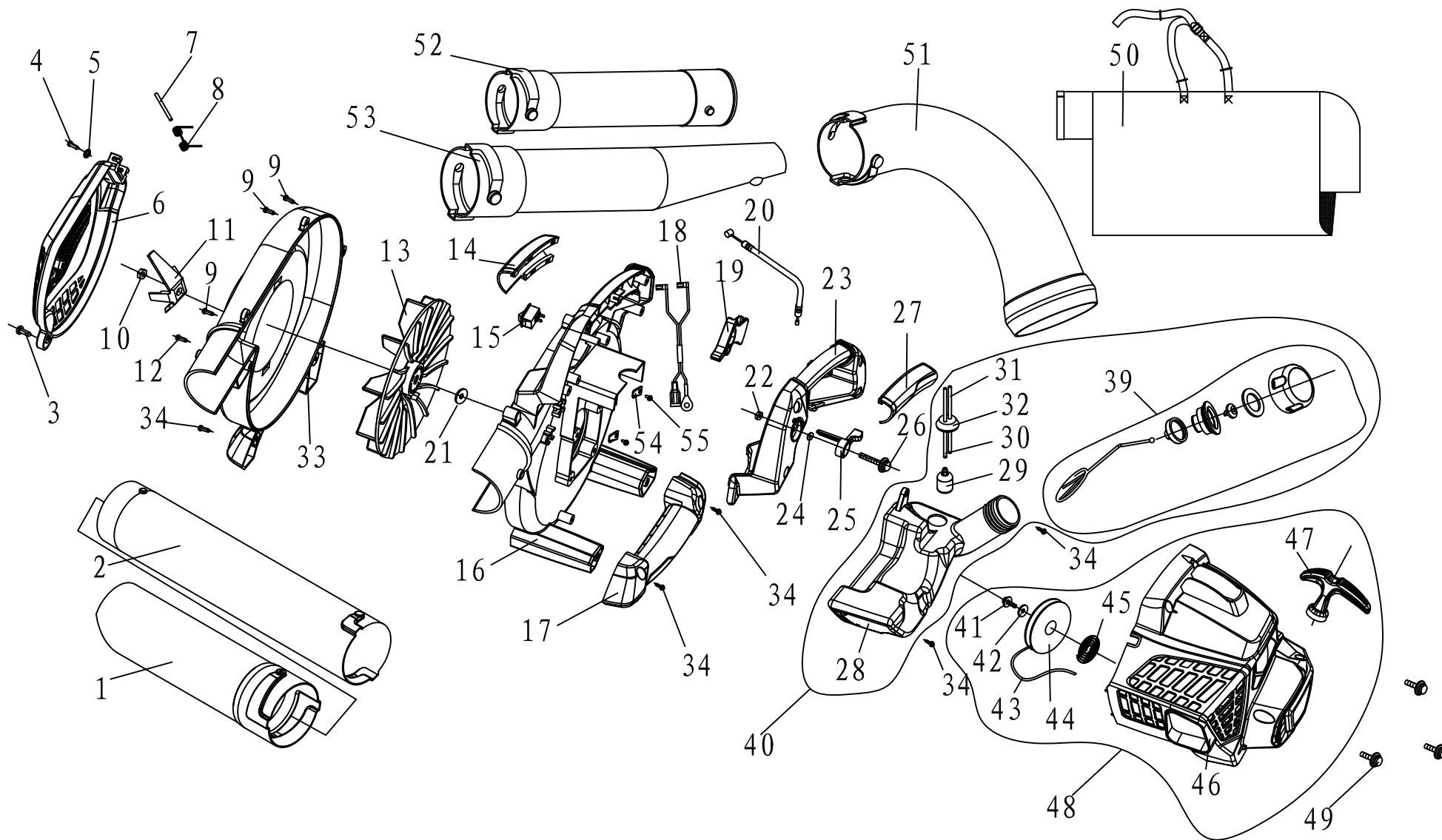
FIGURE 1 EXPLODED
VIEW OF EBV230E. 1



Appendix List of Attached Fig.1(EBV230E.1)

Ser. NO.	Part NO.	Part Name	Qty.	Ser. NO.	Part NO.	Part Name	Qty.	Ser. NO.	Part NO.	Part Name	Qty.
1	EBV230E. 1. 5	SCREW	1	19	KBK081211. 5	NEEDLE BEARING	1	37	P23. 5. 1. 2	IGNITION COIL	1
2	EBV230E. 1. 4-1	OUTSIDE COVER	1	20	EBV230E. 1. 7. 1	CRANK SHAFT COMP	1	38	EBV230E. 1. 4. 1	INSIDE COVER ASSEMBLAGE	1
3	EBV230E. 1. 4. 2	FILTER NET	1	21	1E40FP-3Z. 3-1	KEY	1	39	GB70+GB93+GB848	SCREW M6 × 16	2
4	*	SCREW 3 × 8	1	22	P23. 6A-1	PISTON	1	40	SLP500. 1. 9	START REEL	1
5	GB70. 1+GB93+GB97	M5 × 60	2	23	1E31F. 4-2	PISTON PIN	1	41	GB6177. 1	NUT 8	1
6	EBV230E. 1. 4. 1-2	Choke	1	24	1E34F. 6-2	PISTON PIN CIRCLIP	2	42	GB93	WASHER 8	1
7	EBV230E. 1. 4. 1-1	INSIDE COVER	1	25	P23. 6-2	PISTON RING	2	43	GB97	WASHER 8	1
8	EBV230E. 1. 4. 1-3	Choke HANDLE	1	26	P23-2	GASKET	1	44	/EBV230E. 1. 6	FLY WHEEL	1
9	EBV230E. 1. 1	CARBURETOR	1	27	P23-1	CYLINDER	1	45	GB70+GB93+GB97	SCREW M4 × 20	2
10	EBV230E. 1-5	GASKET	1	28	GB70. 1	M5 × 16	4	46	GB70	SCREW M5 × 20	3
11	GB70. 1+GB93+GB97	SCREW M5 × 25	1	29	CMR6A	PLUG	1	47	P23. 11-1	REAR HALF CRANK CASE	1
12	EBV230E. 1. 3	ADMITTING PIPE	1	30	EBV230E. 1-3	MUFFLER GASKET	1	48	EBV230E. 1-4	GASKET	1
13	1E34F-2	GASKET	1	31	EBV230E. 1. 2	MUFFLER	1	49	/EBV230E. 1. 6	IGNITION COIL COMP	1
14	1E36F. 2	OIL SEAL	2	32	EBV230E. 1-1	MUFFLER COVER	1	50	EBV230E. 1. 8-1	FRONT HALF CRANK CASE	1
15	GB70. 1+GB93+GB97	SCREW M5 × 12	1	33	GB70. 1+GB93	SCREW M5 × 55	1				
16	P23. 11-3	CRANK CASE GASKET	1	34	HP23. 2. 1-1	CAP	1				
17	GB119. 1	PIN B4*8	2	35	HP23. 2. 1-2	SPRING	1				
18	GB276	BEARING 6001-P6	2	36		6*60 PIPE	1				

FIGURE 2 EXPLODED
VIEW OF EBV230E



Appendix List of Attached Fig. 2(EBV230E)

Ser. NO.	Part NO.	Part Name	Qty.	Ser. NO.	Part NO.	Part Name	Qty.	Ser. NO.	Part NO.	Part Name	Qty.
1	EBV260-8	PIPE (2)	1	19	EBV230E-1	CONTROL HANDLE	1	37			1
2	EBV260A-1	PIPE (1)	1	20	EBV230E. 3	FUEL THROTTLE	1	38			1
3	3WF-20. 9-1	SCREW M5 × 10	1	21	EBV245A-14	WASHER	1	39	1E32FL. 6. 2	FUEL TANK LID ASSEMBLAGE	1
4	1E40F-5A-CE-4	SCREW M5 × 16	1	22	GB6177	NUT M5	1	40	EBV230E. 6	FUEL TANK ASSEMBLAGE	1
5	GB96. 1	WASHER Φ5	1	23	EBV230E. 2-1	HANDLE	1	41	GB9074. 6	SCREW M5 × 10	1
6	EBV230E. 2. 5	PROTECTION	1	24	EBV260E-2	WASHER	1	42	GB96. 1	WASHER Φ5	1
7	EBV260. 2-2	SPING SCREW	1	25	EBV230E-2	CONTROL HANDLE	1	43	1E34F. 11-3	ROPE	1
8	EBV260. 2-3	SPING	1	26	GB9074. 4	SCREW M5 × 20	1	44	1E34F. 11-2	STARTER ROPE REEL	1
9	GB845	SCREW M5 × 19	3	27	EBV230E-3	HANDLE COVER (1)	1	45	1E34F. 11-1	RECOIL SPRING	1
10	GB6171	NUT M8 × 1 LH	1	28	EBV230E. 6-1	FUEL TANK	1	46	EBV230E. 2. 1. 1	STARTER BODY	1
11	EBV245A. 8	COMMINUTE BOARD	1	29	P40. 12. 2-3A	FILTER	1	47	CG520-HL. 5-1	STARTER HANDLE	1
12	GB845	SCREW M5 × 22	1	30	CG420. 1. 3. 2-2	FUEL PIPE	1	48	EBV230E. 2. 1	STARTER	1
13	EBV230E. 2. 4	IMPELLER	1	31	EB-415. 4. 1. 1-1	FUEL PIPE	1	49	GB9074. 4	SCREW M5 × 12	3
14	EBV230E-4	HANDLE COVER (2)	1	32	EB-415. 4. 2-2	PLUG	1	50	EBV245A. 7	COLLECTING BAG	1
15	EBV260E. 6	STOP SWITCH	1	33	EBV230E. 2. 3	BACK VALUTE CASE	1	51	EBV230E-9	COLLECTING PIPE	1
16	EBV230E. 2. 2	FRONT VALUTE CASE	1	34	3WF-20. 9-2	SCREW M5 × 16	1	52	EBV230E-8	PIPE	1
17	EBV230E. 2-2	HANDLE	1	35			1	53	EBV230E-7	PIPE	1
18	EBV230E. 4	STOP WIRE	1	36			1	54	EBV245A-9	BAFFLE	2