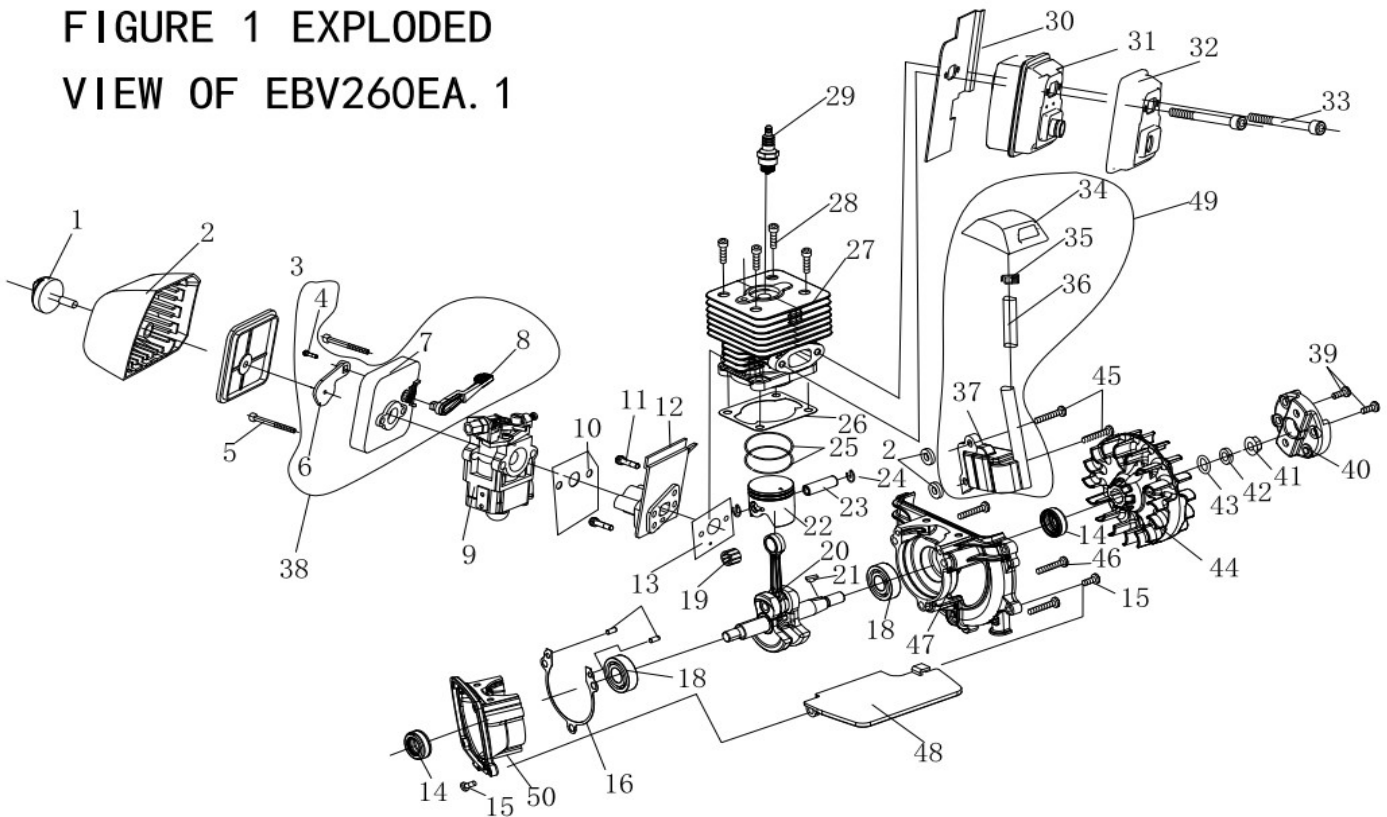


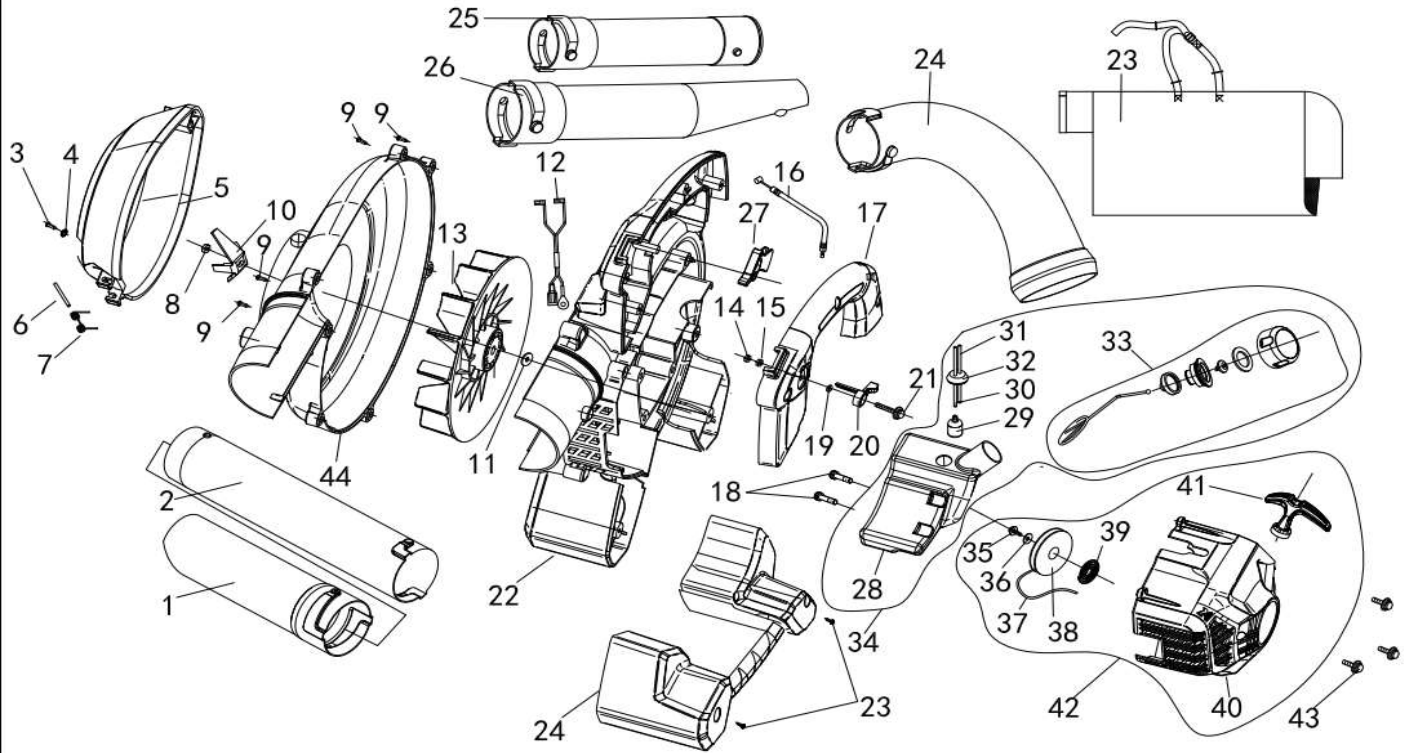
**FIGURE 1 EXPLODED
VIEW OF EBV260EA. 1**



NO.	Part NO.	Part Name	Qty.
1	EBV260EA.1.2.3	SCREW	1
2	EBV260EA.1.2-1	OUTSIDE COVER	1
3	EBV260EA.1.2.2	FILTER NET	1
4	*	SCREW 3X8	1
5	GB70.1+GB93+GB97	M5X60	2
6	EBV230E.1.4.1-2	Choke	1
7	EBV260EA.1.2.1-1	INSIDE COVER	1
8	EBV230E.1.4.1-3	Choke HANDLE	1
9	EBV230E.1.1	CARBURETOR	1
10	EBV260EA.1-1	GASKET	1
11	GB70.1+GB93+GB97	SCREW M5X25	1
12	EBV260EA.1.1	ADMITTING PIPE	1
13	1E34F-2	GASKET	1
14	1E36F.2	OIL SEAL	2
15	GB70.1+GB93+GB97	SCREW M5X12	1
16	P23.11-3	CRANK CASE GASKE1	1
17	GB119.1	PIN B4*8	2
18	GB276	BEARING 6001-P6	2
19	KBK081211.5	NEEDLE BEARING	1
20	EBV230E.1.7.1	CRANK SHAFT COMP	1
21	1E40FP-3Z.3-1	KEY	1
22	P26.6A-1	PISTON	1
23	1E34F.4-3	PISTON PIN	1
24	1E34F.6-2	PISTON PIN CIRCLIP	2
25	1E34F.6-5	PISTON RING	2

NO.	Part NO.	Part Name	Qty.
26	P23-2	GASKET	1
27	P26-1	CYLINDER	1
28	GB70.1	M5X16	4
29	CMR6A	PLUG	1
30	EBV260EA.1-2	MUFFLER GASKET	1
31	EBV260EA.1.4	MUFFLER	1
32	EBV260E.1-5	MUFFLER COVER	1
33	GB70.1+GB93	SCREW M5X55	1
34	EBV260EA.1.3-1	CAP	1
35	HP23.2.1-2	SPRING	1
36		6*60 PIPE	1
37	P23.5.1.2	IGNITION COIL	1
38	EBV260EA.1.2.1	INSIDE COVER ASSEMBLAGE	1
39	GB70+GB93+GB84J	(SCREW M6X16	2
40	SLP500.1.9	START REEL	1
41	GB6177.1	NUT 8	1
42	GB93	WASHER 8	1
43	GB97	WASHER 8	1
44	EBV230E.1.6-1	FLY WHEEL	1
45	GB70+GB93+GB97	SCREW M4X20	2
46	GB70	SCREW M5X20	3
47	P23.11-1	REAR HALF CRANK CASE	1
48	EBV230E.1-4	GASKET	1
49	/EBV260EA.1.3	IGNITION COIL COMP	1
50	EBV230E.1.8-1	FRONT HALF CRANK CASE	1

**FIGURE 2 EXPLODED
VIEW OF EBV260EA**



NO.	Part NO.	Part Name	Qty.
1	EBV260-8	PIPE (2)	1
2	EBV260A-1	PIPE (1)	1
3	3WF-20.9-1	SCREW M5X10	1
4	GB96.1	WASHER 05	1
5	EBV260EA.2-2	PROTECTION	1
6	EBV260.2-2	SPING SCREW	1
7	EBV260.2-3	SPING	1
8	GB6171	NUT M8X1 LH	1
9	3WF-20.9-2	SCREW M5X16	13
10	EBV245A.8	COMMUNUTE BOARD	1
11	EBV245A-14	WASHER	1
12	EBV230E.4	STOP WIRE	1
13	EBV260EA.2.3	IMPELLER	1
14	GB6172	NUT M5	1
15	GB6177.1	NUT M5	1
16	EBV260EA.5	FUEL THROTTLE	1
17	EBV260EA.2.4	TOP HANDLE	1
18	GB70.1+GB93+GB97	SCREW M5X12	2
19	EBV260E-2	WASHER	1
20	EBV230EA-2	CONTROL HANDLE	1
21	GB9074.4	SCREW M5X25	1
22	EBV260EA.2.1	FRONT VALUTE CASE	1

NO.	Part NO.	Part Name	Qty.
23	XSS46-2.2-5	SCREW M5X20	1
24	EBV260EA.2-1	BOTTOM HANDLE	1
25	EBV245A.6-1/-2	PIPE2	1
26	EBV245A-8	PIPE1	1
27	EBV230EA-1	CONTROL HANDLE	3
28	EBV260EA.4-1	FUEL TANK	1
29	P40.12.2-3A	FILTER	1
30	CG420.1.3.2-2	FUEL PIPE	1
31	EB-415.4.1.1-1	FUEL PIPE	1
32	EB-415.4.2-2	PLUG	1
33	1E32FL.6.2	FUEL TANK LID ASSY	1
34	EBV260EA.4	FUEL TANK ASSEMBLAGE	1
35	GB9074.6	SCREW M5X10	1
36	GB96.1	WASHER 05	1
37	1E34F.11-3	ROPE	1
38	1E34F.11-2	STARTER ROPE REEL	1
39	1E34F.11-1	RECOIL SPRING	1
40	EBV260EA.3.1	STARTER BODY	1
41	CG520-HL.5-1	STARTER HANDLE	1
42	EBV260EA.3	STARTER	1
43	GB9074.4	SCREW M5X12	3
44	EBV230E.2.3	BACK VALUTE CASE	1