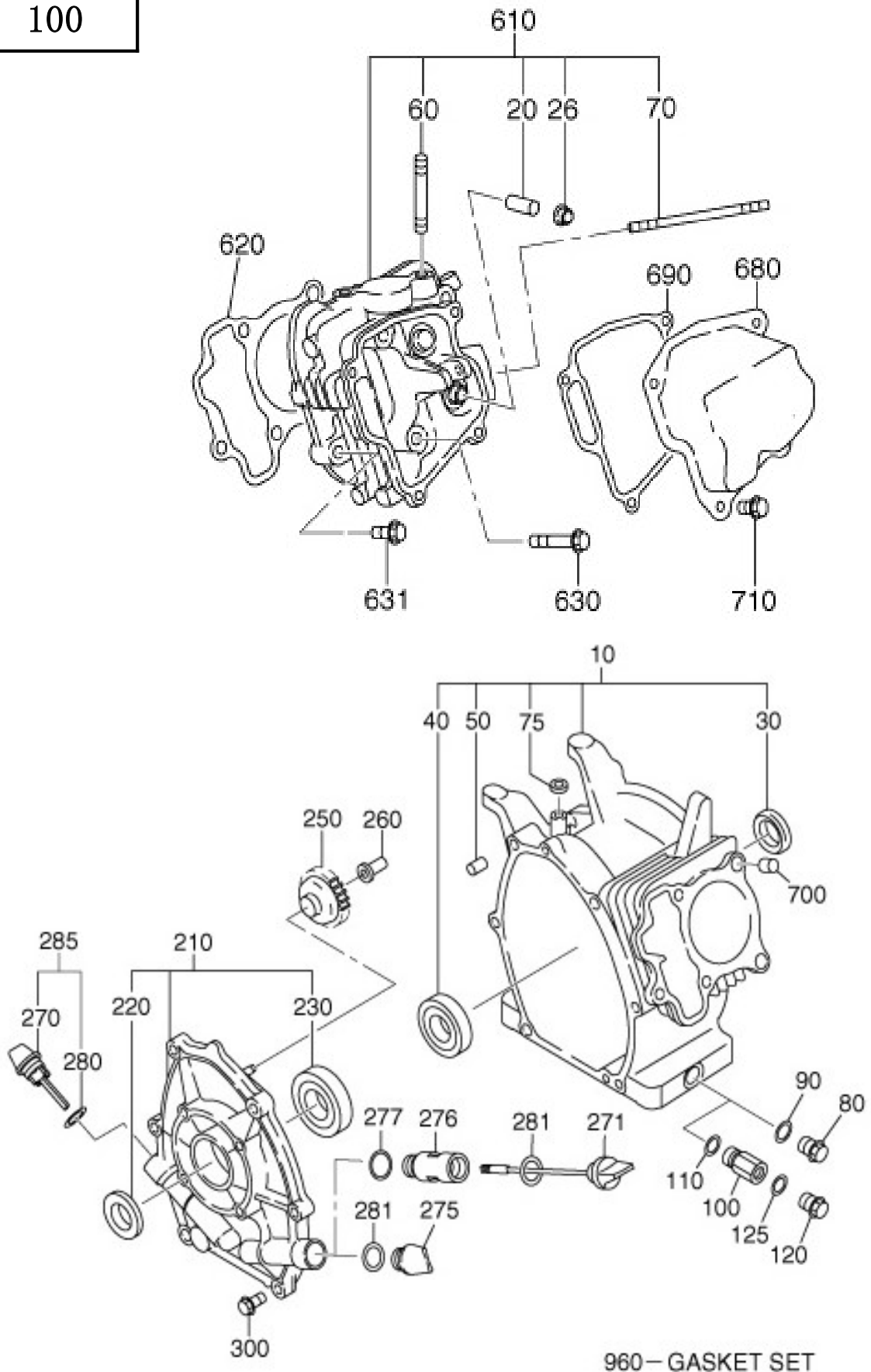


EX170 FIG. 100

1 CRANK CASE GROUP

FIG. 100



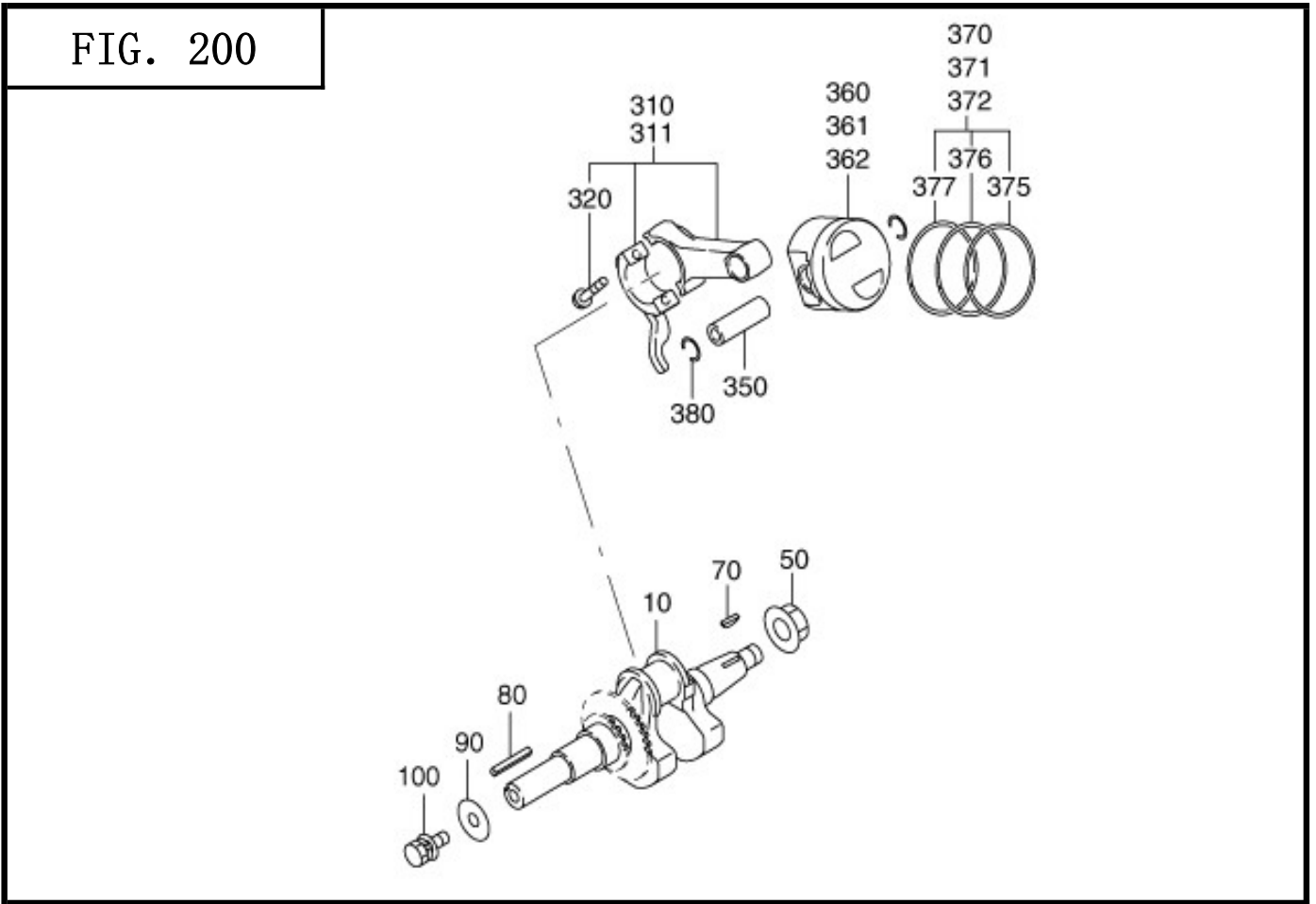
KASEI EX17 engine IPL

1 CRANK CASE GROUP

REF.	PART NUMBER	PART NAME	QTY		REMARK	REMARK	FIG.
10	20A-10103-11	CRANK CASE CP	1		曲轴箱组件		100
	20A-10103-01	CRANK CASE CP	1		曲轴箱组件		100
	20A-10103-02	CRANK CASE UN			曲轴箱		
26	20A-16010-01	STEM SEAL	1		气门油封		100
30	20A-04801-00	OIL SEAL	1		油封		100
40	20A-06101-00	BALL BEARING	1		轴承		100
50	20A-15011-03	PIPE KNOCK	2		定位销		100
60	20A-01611-00	STUD	2		双头螺栓		100
70	20A-01601-00	STUD	2		双头螺栓		100
75	20A-04802-00	OIL SEAL	1		油封		100
80	20A-04101-00	PLUG	2		放油螺栓		100
90	20A-02202-00	GASKET	2		垫片		100
210	20A-11002-01	MAINBEARING COVER CP	1		曲轴箱盖组件		100
220	20A-04803-00	OIL SEAL	1		油封		100
230	20A-06102-00	BALL BEARING	1		滚珠轴承		100
250	20A-45004-01	GOVERNOR GEAR CP	1		调速齿轮		100
260	20A-41901-03	GOVERNOR SLEEVE	1		调速套筒		100
285	20A-63601-00	OIL GAUGE AY	2		油标尺		100
300	20A-01101-00	FLANGE BOLT	6		法兰螺栓		100
610	20A-13001-01	CYLINDER HEAD CP	1		气缸头组件		100
	20A1300102	CYLINDER HEAD	1				
620	20A-15001-03	GASKET (HEAD)	1		气缸头垫片		100
630	20A-01102-00	FLANGE BOLT	4		法兰螺栓		100
631	20A-01103-00	FLANGE BOLT	1		法兰螺栓		100
680	20A-15505-01	ROCKER COVER CP	1		缸盖罩		100
690	20A-16001-13	GASKET (ROCKER COVER)	1		垫片(缸盖罩)		100
700	20A-15011-03	PIPE KNOCK	2		定位销		100
710	20A-01111-00	FLANGE BOLT	4		法兰螺栓		100

EX170 FIG. 200

2 CRANKSHAFT, PISTON GROUP



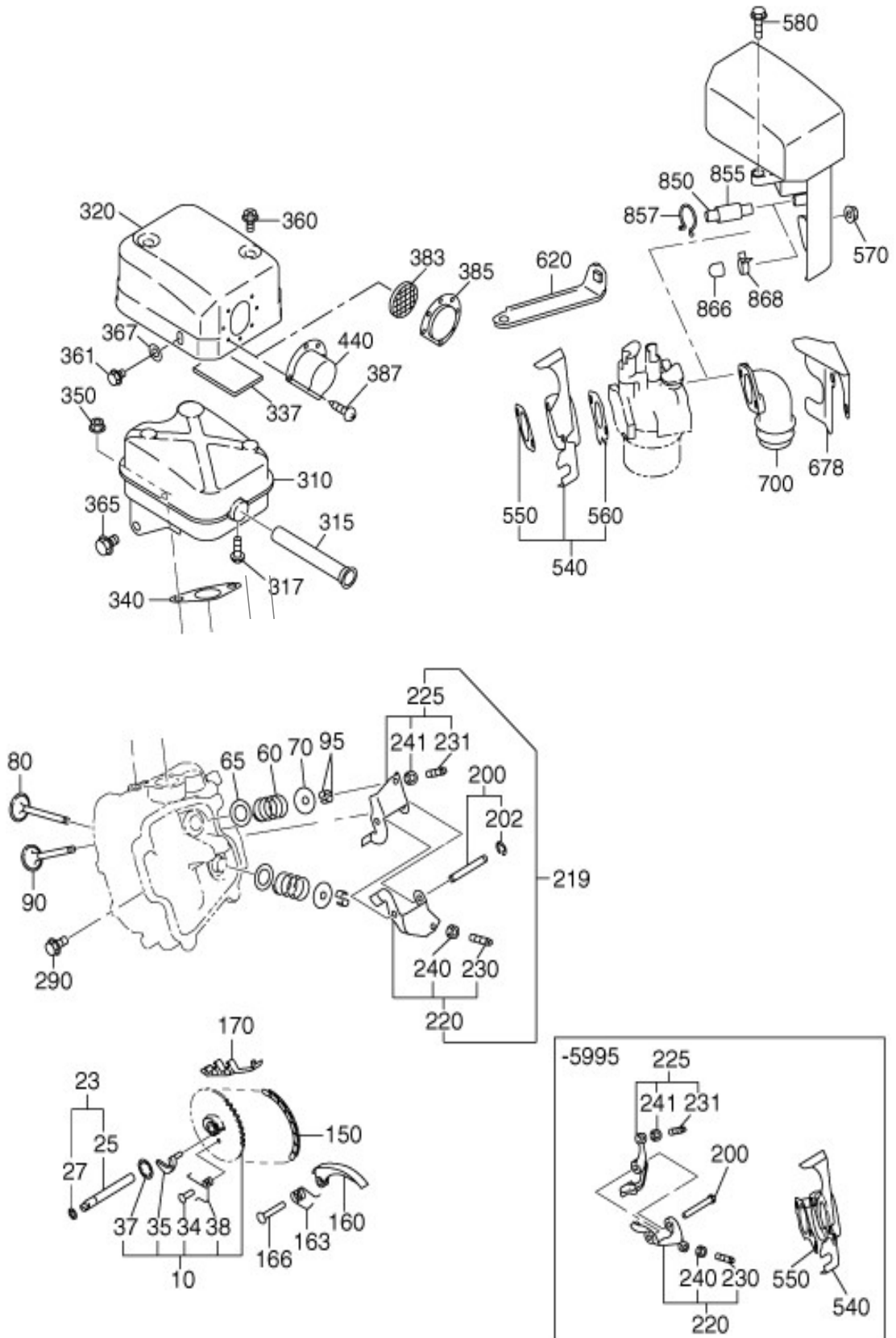
2 CRANKSHAFT, PISTON GROUP

REF.	PART NUMBER	PART NAME	QTY	REMARK	REMARK	FIG.
10	20A-21201-11	CRANK SHAFT CP	1	曲轴		200
50	20A-01853-00	FLANGE NUT	1	法兰螺母		200
70	20A-03601-00	WOODRUFF KEY	1	半圆键		200
80	20A-03612-00	KEY	1	曲轴平键		200
310	20A-22501-10	CONNECTING ROD AY	1	连杆总成		200
350	20A-23301-03	PISTON PIN	1	活塞销		200
360	20A-23401-03	PISTON	1	活塞		200
375	20A-23611-03	TOP RING	1	一环		200
376	20A-23711-03	SECOND RING	1	二环		200
377	20A-23931-01	OIL RING CP	1	油环组合		200
380	20A-03201-00	CLIP	2	活塞销挡圈		200

EX170 FIG. 300

3 INTAKE, EXHAUST GROUP

FIG. 300



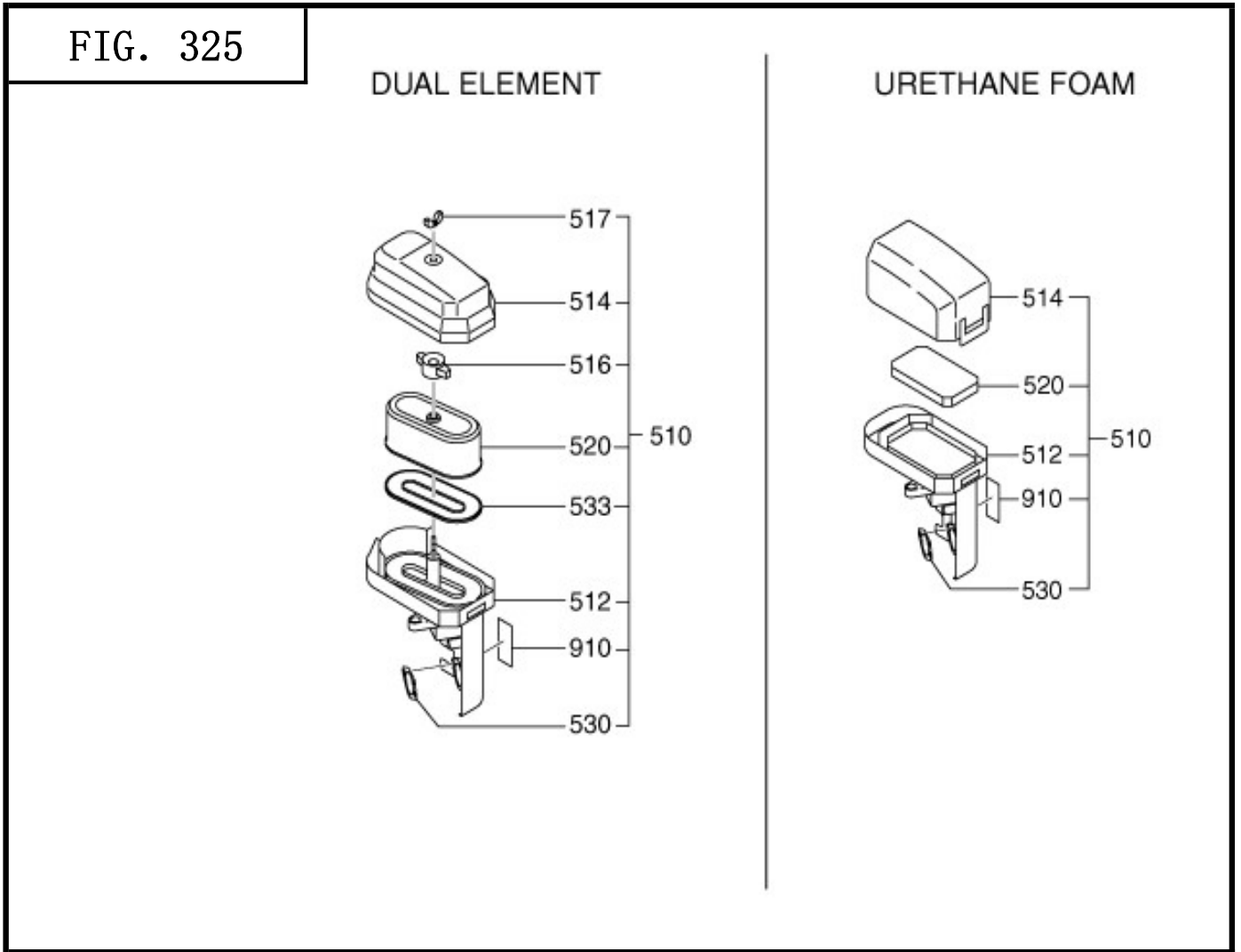
KASEI EX17 engine IPL

3 INTAKE, EXHAUST GROUP

REF.	PART NUMBER	PART NAME	QTY	REMARK	REMARK	FIG.
10	20A-31601-01	CAM SHAFT CP	1	凸轮轴		300
23	20A-35101-01	PIN(CAM SHAFT)CP	1	销轴(凸轮轴)		300
27	20A-02801-00	O RING	1	O型圈		300
60	20A-33601-03	VALVE SPRING	2	气门弹簧		300
70	20A-33701-03	SPRING RETAINER	2	气门弹簧盘		300
80	20A-33401-03	INTAKE VALVE	1	进气门		300
90	20A-33501-03	EXHAUST VALVE	1	排气门		300
95	20A-33801-03	COLLET-VALVE	4	气门卡锁		300
150	20A-35601-01	TIMING CHAIN CP	1	正时链条		300
160	20A-36911-03	TENTIONER	1	张紧器		300
163	20A-37101-03	SPRING(TENTIONER)	1	弹簧(张紧器)		300
166	20A-36902-03	PIN(TENTIONER)	1	销(张紧器)		300
170	20A-36913-03	CHAIN GUIDE	1	链条导向板		300
200	20A-35004-01	PIN(ROCKER) CP	1	摇臂销		300
202	20A-03211-00	CLIP	1	卡簧		300
220	20A-36201-00	ROCKER ARM(IN) AY	1	摇臂(进气)		300
225	20A-36202-00	ROCKER ARM(EX) AY	1	摇臂(排气)		300
290	20A-01111-00	FLANGE BOLT	1	法兰螺栓		300
310	20A-30101-11	MUFFLER CP	1	消声器		300
320	20A-34201-10	MUFFLER COVER CP	1	消声器罩		300
340	20A-35201-03	GASKET(MUFFLER)	1	垫片(消声器)		300
350	20A-01851-20	FLANGE NUT	2	法兰螺母		300
360	20A-01201-00	TAPPING BOLT	2	自攻螺栓		300
361	20A-01112-00	FLANGE BOLT	1	法兰螺栓		300
365	20A-01104-00	FLANGE BOLT	1	法兰螺栓		300
367	20A-02101-00	WASHER	1	垫圈		300
540	20A-32902-01	INSULATOR CP	1	绝缘隔热板		300
550	20A-35903-03	GASKET 2(INSULATOR)	1	垫片(绝缘隔热板)		300
560	20A-35902-03	GASKET 1(INSULATOR)	1	垫片(绝缘隔热板)		300
570	20A-01852-00	FLANGE NUT	2	法兰螺母		300
580	20A-01113-00	FLANGE BOLT	1	法兰螺栓		300
850	20A-08111-00	RUBBER PIPE	1	橡胶管		300

EX170 FIG. 325

3 INTAKE, EXHAUST GROUP

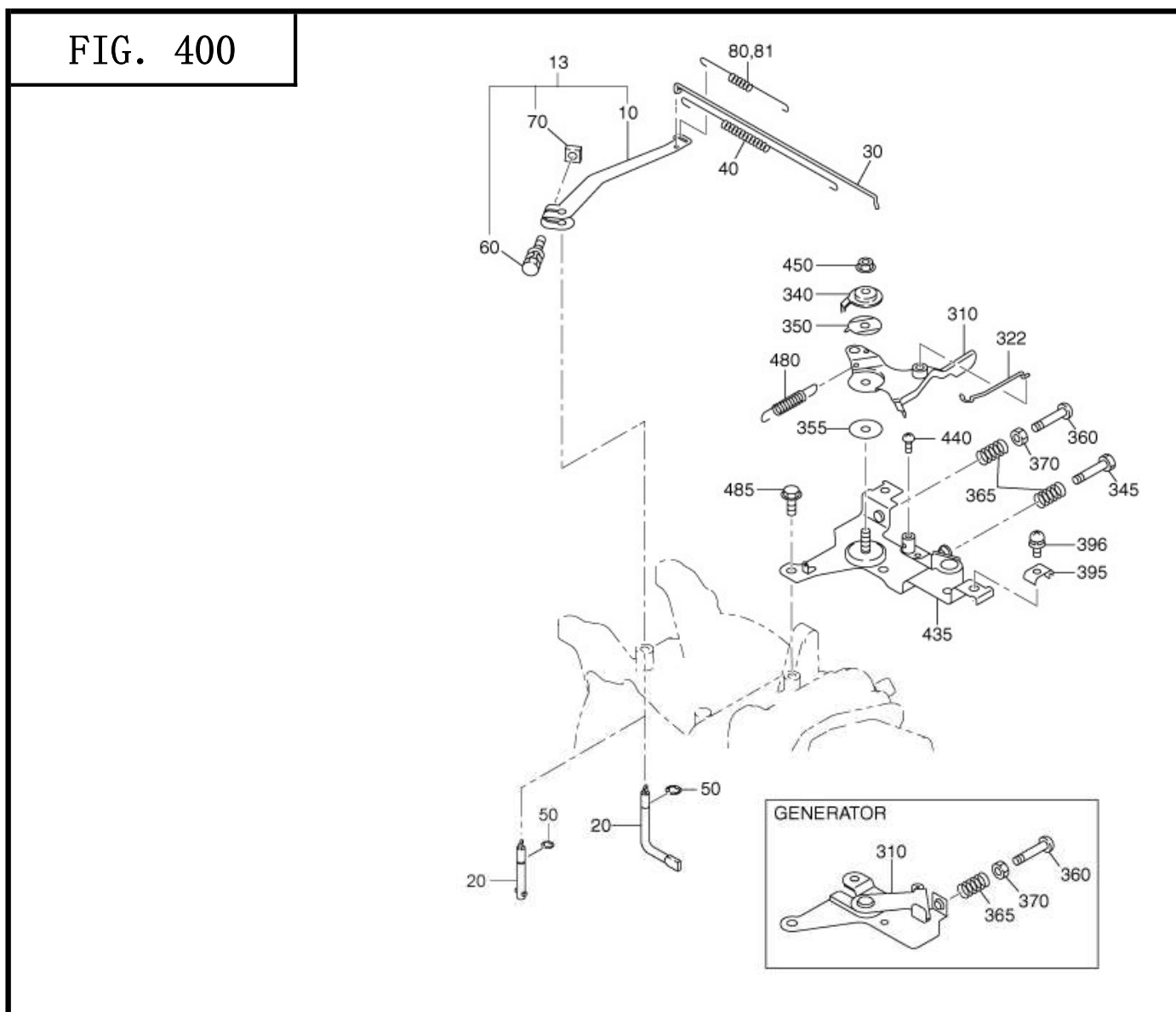


3 INTAKE, EXHAUST GROUP

REF.	PART NUMBER	PART NAME	QTY	REMARK	REMARK	FIG.
510	20A-32633-00	AIR CLEANER AY	1	空滤总成		325
520	20A-32636-00	ELEMENT AY	1	滤芯		325
530	20A-32614-03	PACKING	1	空滤器垫片		325
910	20A-32615-03	LABEL	1	标签 (阻风门)		325

EX170 FIG. 400

4 GOVERNOR OPERATION GROUP



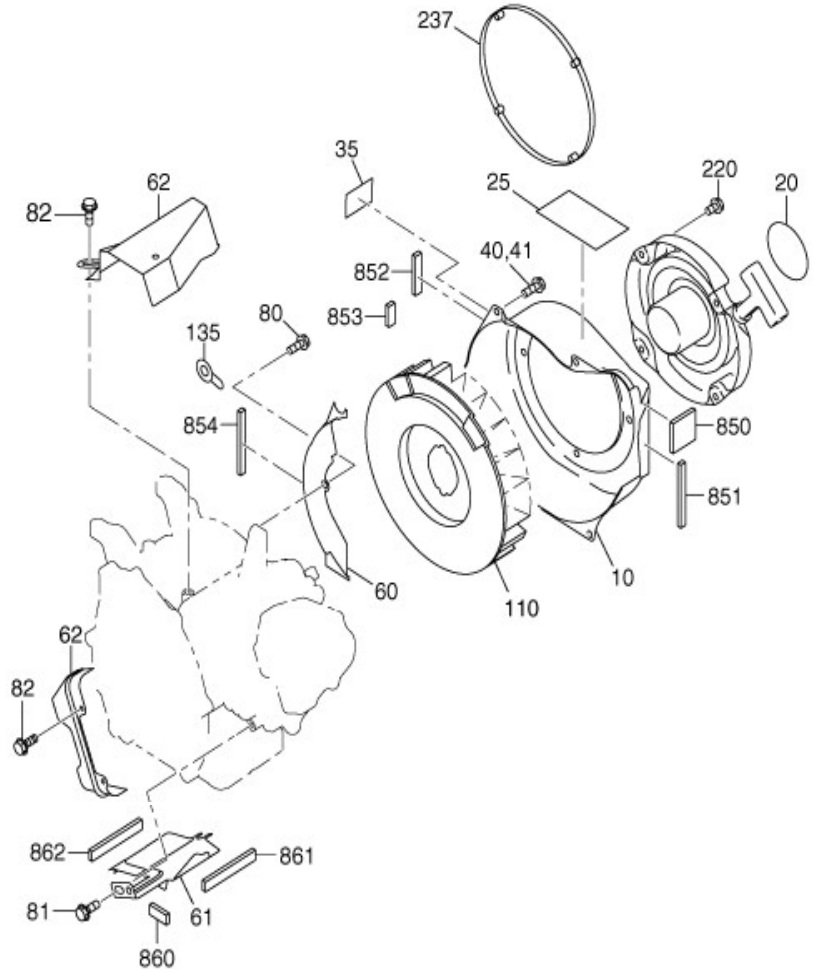
4 GOVERNOR OPERATION GROUP

REF.	PART NUMBER	PART NAME	QTY	REMARK	REMARK	FIG.
13	20A-42301-00	GOVERNOR LEVER AY	1	摆动杆		400
20	20A-42201-03	GOVERNOR SHAFT	1	调速器推杆		400
30	20A-42701-01	GOVERNOR ROD CP	1	调速器拉杆		400
40	20A-42801-03	ROD SPRING	1	拉杆拉簧		400
50	20A-03211-00	CLIP	1	卡簧		400
80	20A-42510-03	GOVERNOR SPRING	1	调速弹簧		400
310-480	20A-46502-00	SPEED CONT AY	1	调速机构部件		400
485	20A-01111-00	FLANGE BOLT	2	法兰螺栓		400

EX170 FIG. 500

5 COOLING, STARTING GROUP

FIG. 500



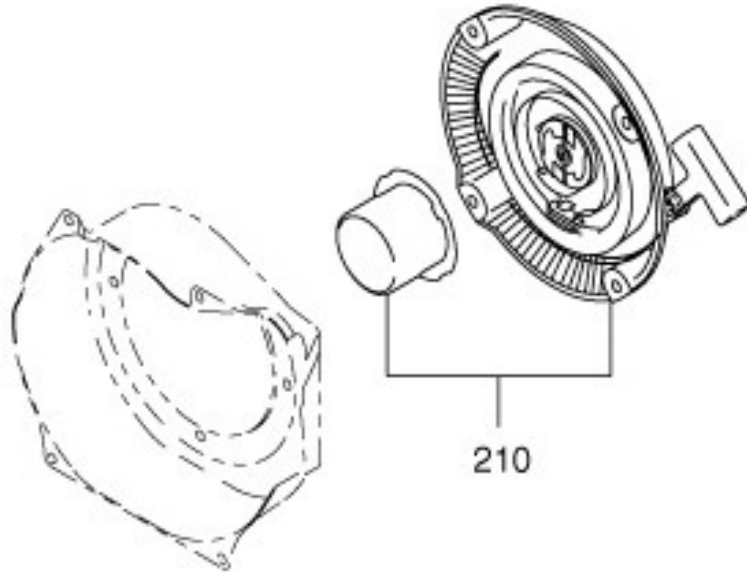
5 COOLING, STARTING GROUP

REF.	PART NUMBER	PART NAME	QTY	REMARK	REMARK	FIG.
10	20A-51203-11	BLOWER HOUSING CP	1	导风罩		500
20		LABEL (TRADE MARK)	1	标签 (商标)		500
40	20A-01114-00	FLANGE BOLT	4	法兰螺栓		500
60	20A-52711-01	BAFFLE 1 (CASE) CP	1	箱体导风板		500
61	20A-52702-01	BAFFLE 2 (HEAD) CP	1	缸头导风板		500
80	20A-01115-00	FLANGE BOLT	1	法兰螺栓		500
81	20A-01111-00	FLANGE BOLT	1	法兰螺栓		500
110	20A-54101-13	COOLING BLOWER	1	风扇		500
220	20A-01114-00	FLANGE BOLT	4	法兰螺栓		500

EX170 FIG. 522

5 COOLING, STARTING GROUP

FIG. 522



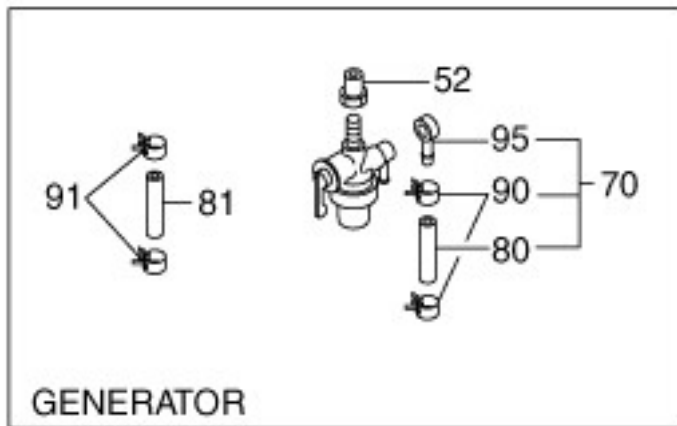
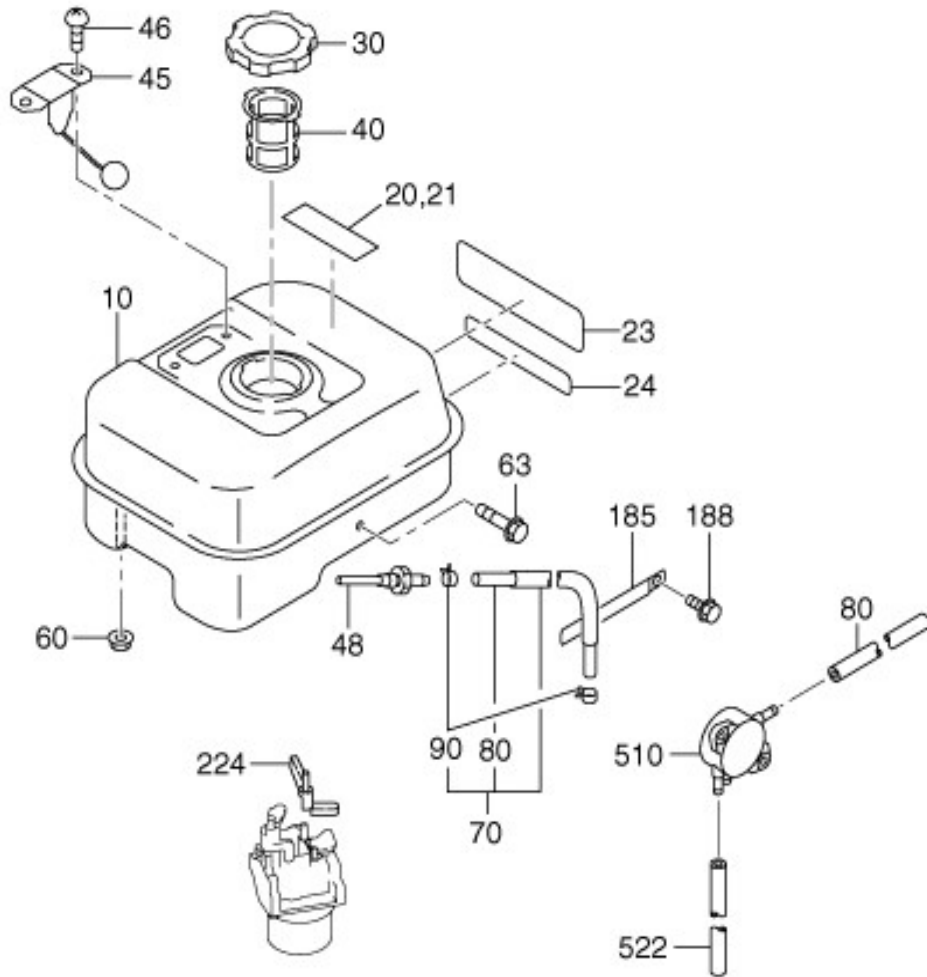
5 COOLING, STARTING GROUP

REF.	PART NUMBER	PART NAME	QTY		REMARK	REMARK	FIG.
210	20A-50201-30	RECOIL STARTER AY	1		起动机部件		522

EX170 FIG. 600

6 FUEL, LUBRICANT GROUP

FIG. 600



KASEI EX17 engine IPL

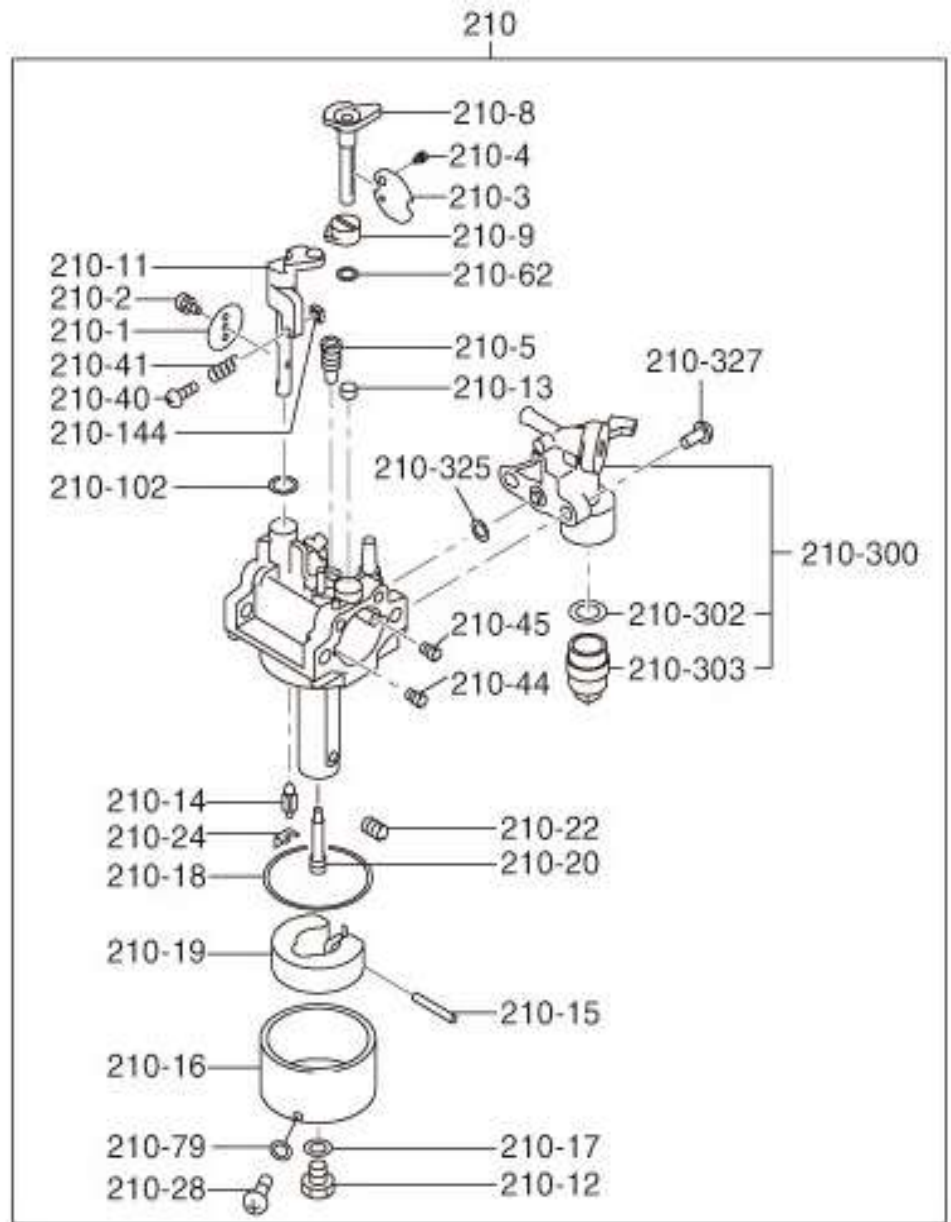
6 FUEL, LUBRICANT GROUP

REF.	PART NUMBER	PART NAME	QTY		REMARK	REMARK	FIG.
10	20A-61101-11	FUEL TANK CP	1		燃油箱		600
20	X73-20057-60	LABEL (WARNING)	1		标签 (警示标签)		600
23	20A-09709-00	LABEL (EX17)	1		型号标签 (EX17)		600
30	20A-04401-00	FUEL TANK CAP CP	1		油箱盖		600
40	20A-06401-00	FUEL FILTER	1		油箱滤网		600
48	20A-06402-00	UNION	1		油嘴组		600
60	20A-01852-00	FLANGE NUT	2		法兰螺母		600
63	20A-01116-00	FLANGE BOLT	1		法兰螺栓		600
70	20A-62605-01	FUEL PIPE CP	1		燃油管		600
80	20A-08104-00	RUBBER PIPE	1		橡胶管		600
90	20A-05804-00	HOSE CLAMP	2		管夹		600
224	20A-43801-01	CHOKE LEVER CP	1		阻风门手柄		600

EX170 FIG. 640

6 FUEL, LUBRICANT GROUP

FIG. 640

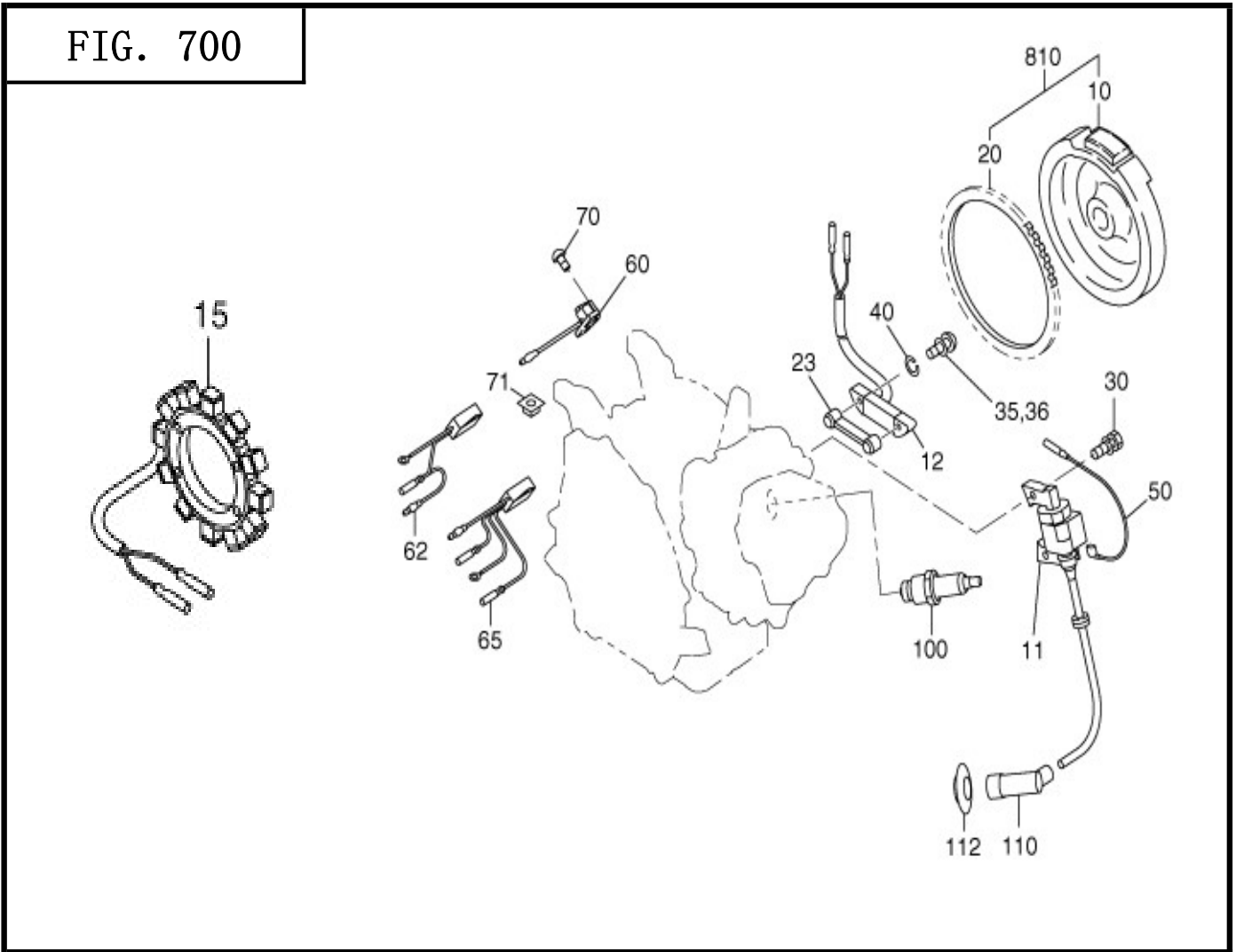


6 FUEL, LUBRICANT GROUP

REF.	PART NUMBER	PART NAME	QTY	REMARK	REMARK	FIG.
210	20A-62302-60	CARBURETOR AY	1	化油器总成		640

EX170 FIG. 700

7 ELECTRIC DEVICE GROUP



7 ELECTRIC DEVICE GROUP

REF.	PART NUMBER	PART NAME	QTY	REMARK	REMARK	FIG.
10	20A-79231-01	FLYWHEEL CP	1	飞轮		700
11	20A-79431-01	IGNITION COIL CP	1	点火线圈		700
30	20A-01302-00	BOLT AND WASHER AY	2	螺栓组合件		700
50	20A-73101-01	WIRE 1 CP	1	熄火线1		700
60	20A-06601-00	SWITCH AY	1	停止开关		
70	20A-01403-00	TAPPING SCREW	2	螺丝		
100	20A-06701-00	SPARK PLUG	1	火花塞		700
110	22E-06801-00	SPARK PLUG CAP	1	火花塞帽		700