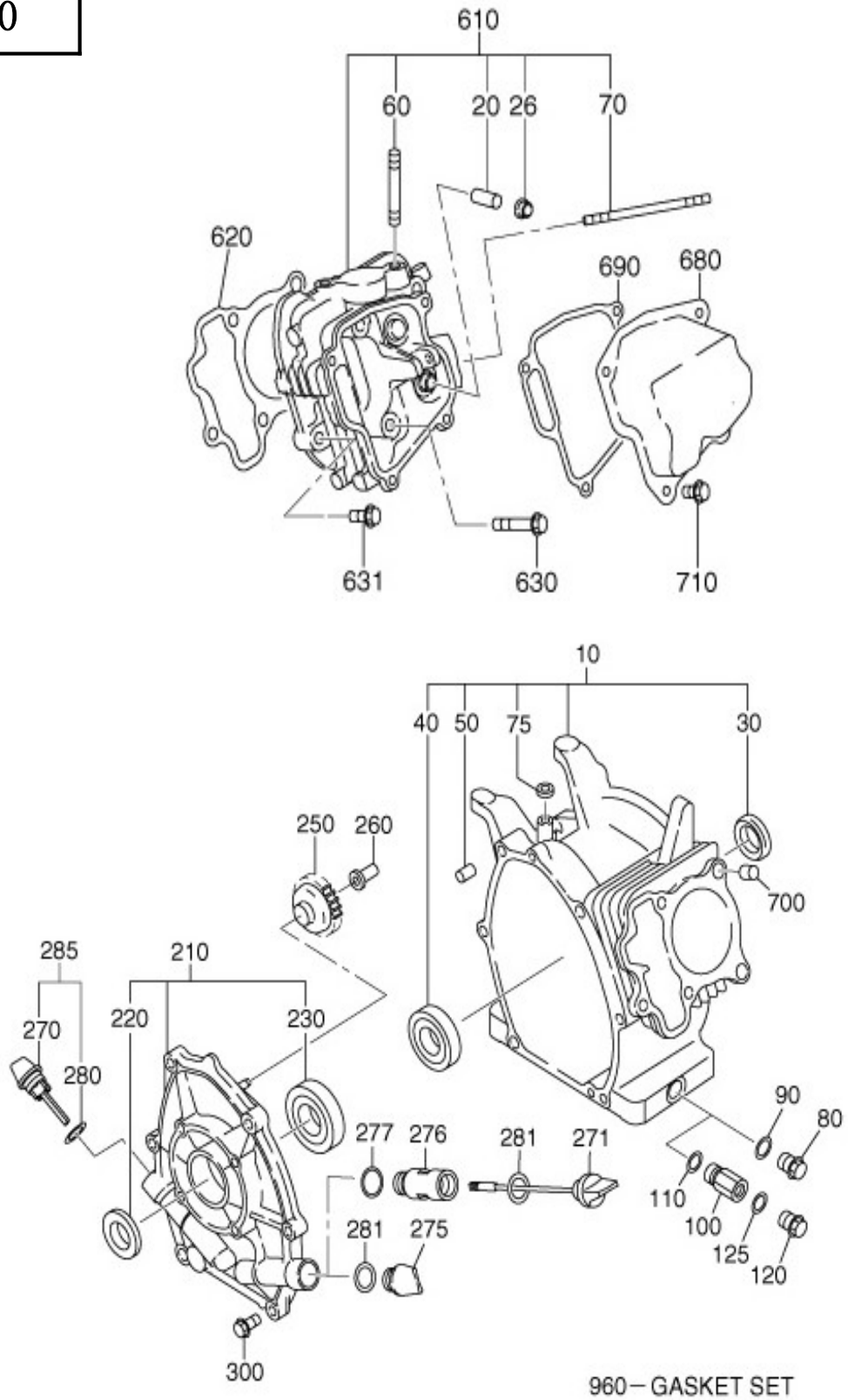


EX210 FIG. 100

1 CRANK CASE

FIG. 100



KASEI EX21 engine IPL

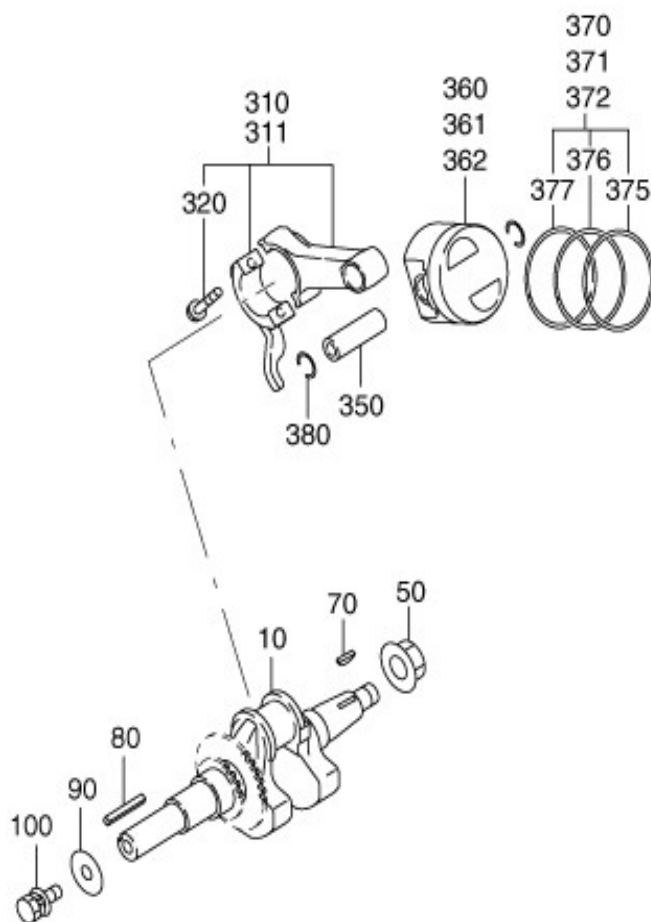
1 CRANK CASE

REF.	PART NUMBER	PART NAME	QTY	REMARK	FIG.
10	21D-10101-11	CRANKCASE CP	1		100
	21D-10101-01	CRANK CASE CP	1		100
26	20A-16010-01	STEM SEAL	1		100
30	20A-04801-00	OIL SEAL	1		100
40	20A-06101-00	BALL BEARING	1		100
50	20A-15011-03	PIPE KNOCK	2		100
60	20A-01611-00	STUD	2		100
70	20A-01601-00	STUD	2		100
75	20A-04802-00	OIL SEAL	1		100
80	20A-04101-00	PLUG	2		100
90	20A-02202-00	GASKET	2		100
210	20A-11001-01	MAINBEARING COVER CP	1		100
220	20A-04803-00	OIL SEAL	1		100
230	20A-06102-00	BALL BEARING	1		100
250	20A-45004-01	GOVERNOR GEAR CP	1		100
260	20A-41901-03	GOVERNOR SLEEVE	1		100
285	20A-63601-00	OIL GAUGE AY	2		100
300	20A-01101-00	FLANGE BOLT	6		100
610	21D-13001-01	CYLINDER HEAD CP	1		100
620	20A-15001-03	GASKET (HEAD)	1		100
630	20A-01102-00	FLANGE BOLT	4		100
631	20A-01103-00	FLANGE BOLT	1		100
680	20A-15505-01	ROCKER COVER CP	1		100
690	20A-16001-13	GASKET (ROCKER COVER)	1		100
700	20A-15011-03	PIPE KNOCK	2		100
710	20A-01111-00	FLANGE BOLT	4		100

EX210 FIG. 200

2 CRANKSHAFT, PISTON

FIG. 200

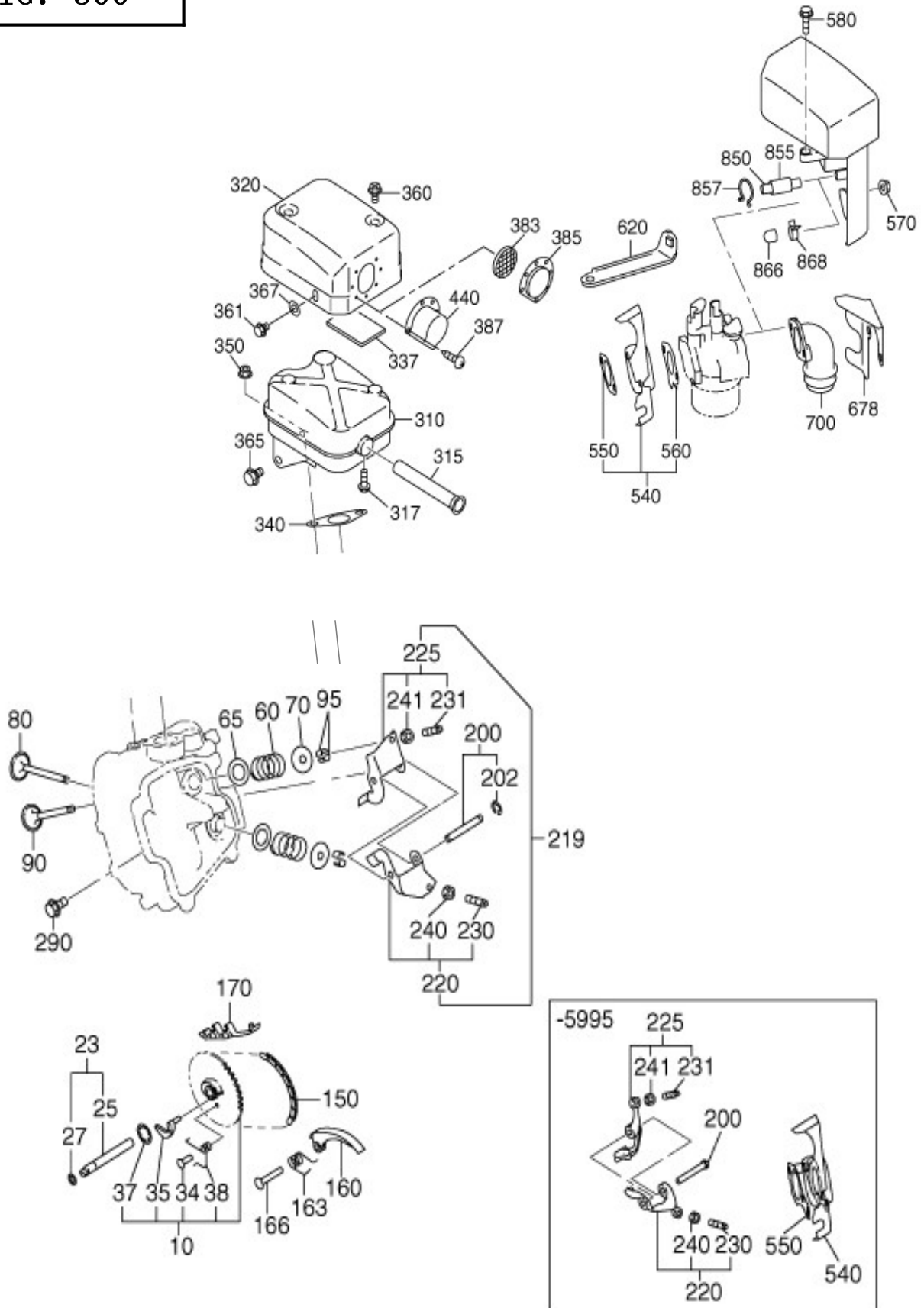


2 CRANKSHAFT, PISTON

REF.	PART NUMBER	PART NAME	QTY	REMARK	FIG.
10	21D-21201-11	CRANK SHAFT CP	1		200
50	20A-01853-00	FLANGE NUT	1		200
70	20A-03601-00	WOODRUFF KEY	1		200
80	20A-03613-00	KEY	1		200
310	21D-22501-00	CONNECTING ROD AY	1		200
350	20A-23301-03	PISTON PIN	1		200
360	20A-23401-03	PISTON	1		200
375	20A-23611-03	TOP RING	1		200
376	20A-23711-03	SECOND RING	1		200
377	20A-23931-01	OIL RING CP	1		200
380	20A-03201-00	CLIP	2		200

3 INTAKE EXHAUST

FIG. 300



KASEI EX21 engine IPL

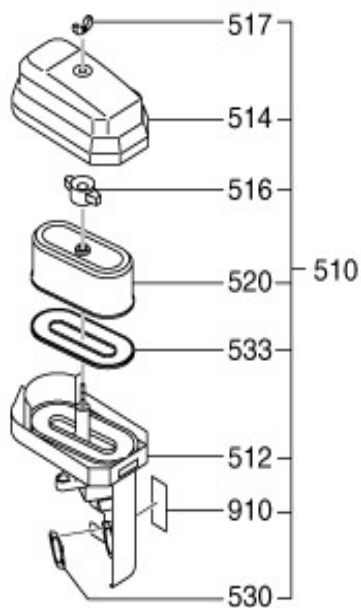
3 INTAKE EXHAUST

REF.	PART NUMBER	PART NAME	QTY	REMARK	FIG.
10	20A-31601-01	CAM SHAFT CP	1		300
23	20A-35101-01	PIN(CAM SHAFT) CP	1		300
27	20A-02801-00	O RING	1		300
60	20A-33601-03	VALVE SPRING	2		300
70	20A-33701-03	SPRING RETAINER	2		300
80	20A-33401-03	INTAKE VALVE	1		300
90	20A-33501-03	EXHAUST VALVE	1		300
95	20A-33801-03	COLLET-VALVE	4		300
150	21D-35601-01	TIMING CHAIN CP	1		300
160	20A-36911-03	TENTIONER	1		300
163	20A-37101-03	SPRING(TENTIONER)	1		300
166	20A-36902-03	PIN(TENTIONER)	1		300
170	20A-36913-03	CHAIN GUIDE	1		300
200	20A-35004-01	PIN(ROCKER) CP	1		300
202	20A-03211-00	CLIP	1		300
220	20A-36201-00	ROCKER ARM(IN) AY	1		300
225	20A-36202-00	ROCKER ARM(EX) AY	1		300
290	20A-01111-00	FLANGE BOLT	1		300
310	20A-30101-11	MUFFLER CP	1		300
320	20A-34201-10	MUFFLER COVER CP	1		300
340	20A-35201-03	GASKET (MUFFLER)	1		300
350	20A-01851-20	FLANGE NUT	2		300
360	20A-01201-00	TAPPING BOLT	2		300
361	20A-01112-00	FLANGE BOLT	1		300
365	20A-01104-00	FLANGE BOLT	1		300
367	20A-02101-00	WASHER	1		300
540	20A-32902-01	INSULATOR CP	1		300
550	20A-35903-03	GASKET 2 (INSULATOR)	1		300
560	20A-35902-03	GASKET 1 (INSULATOR)	1		300
570	20A-01852-00	FLANGE NUT	2		300
580	20A-01113-00	FLANGE BOLT	1		300
850	20A-08111-00	RUBBER PIPE	1		300

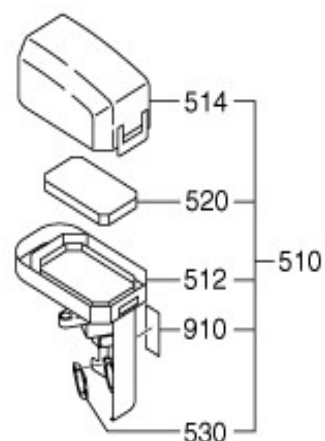
3 INTAKE EXHAUST

FIG. 325

DUAL ELEMENT



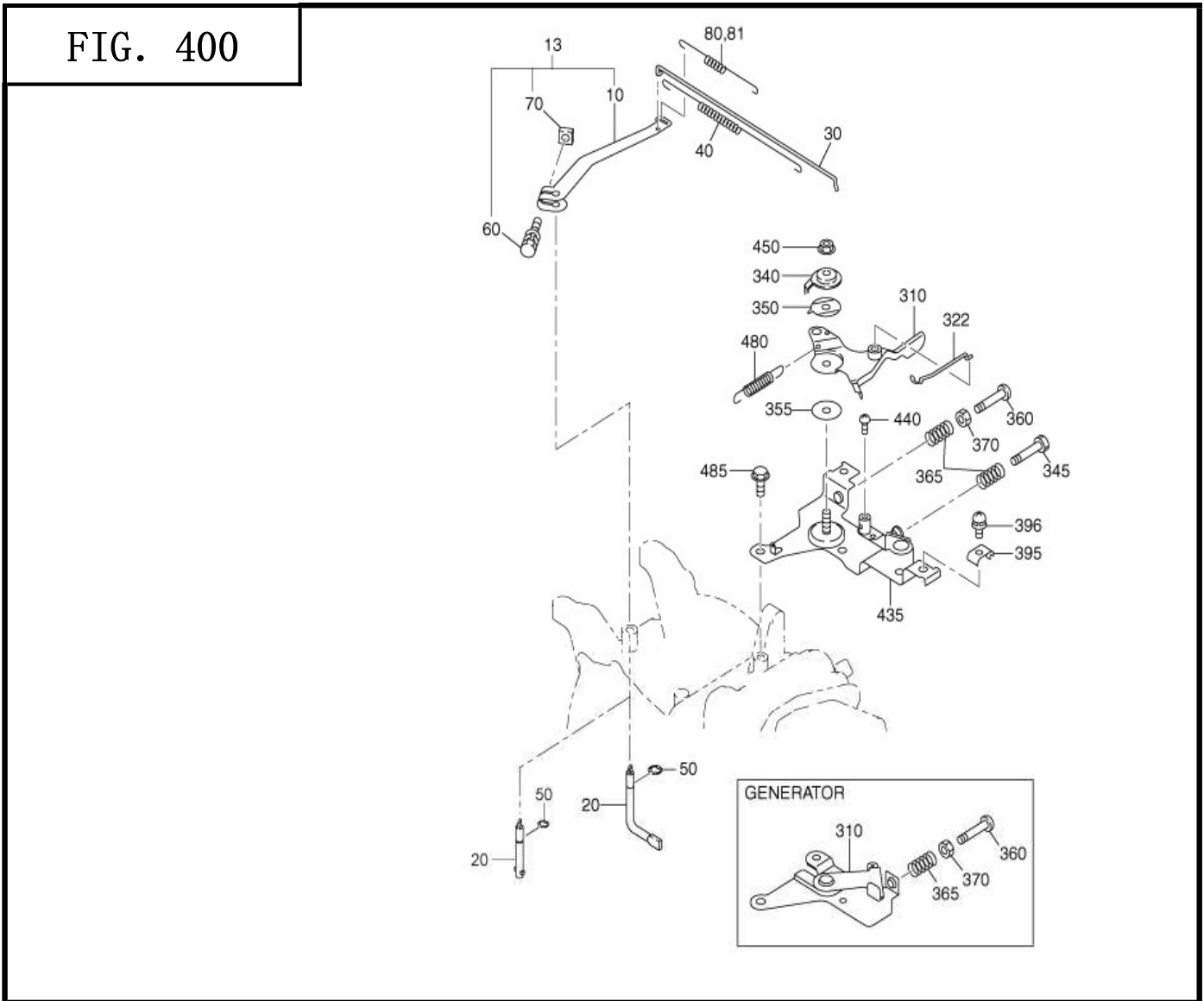
URETHANE FOAM



3 INTAKE EXHAUST

REF.	PART NUMBER	PART NAME	QTY	REMARK	FIG.
510	20A-32633-00	AIR CLEANER AY	1		325
520	20A-32636-00	ELEMENT AY	1		325
530	20A-32614-03	PACKING	1		325
910	20A-32615-03	LABEL	1		325

4 GOVERNOR OPERATION

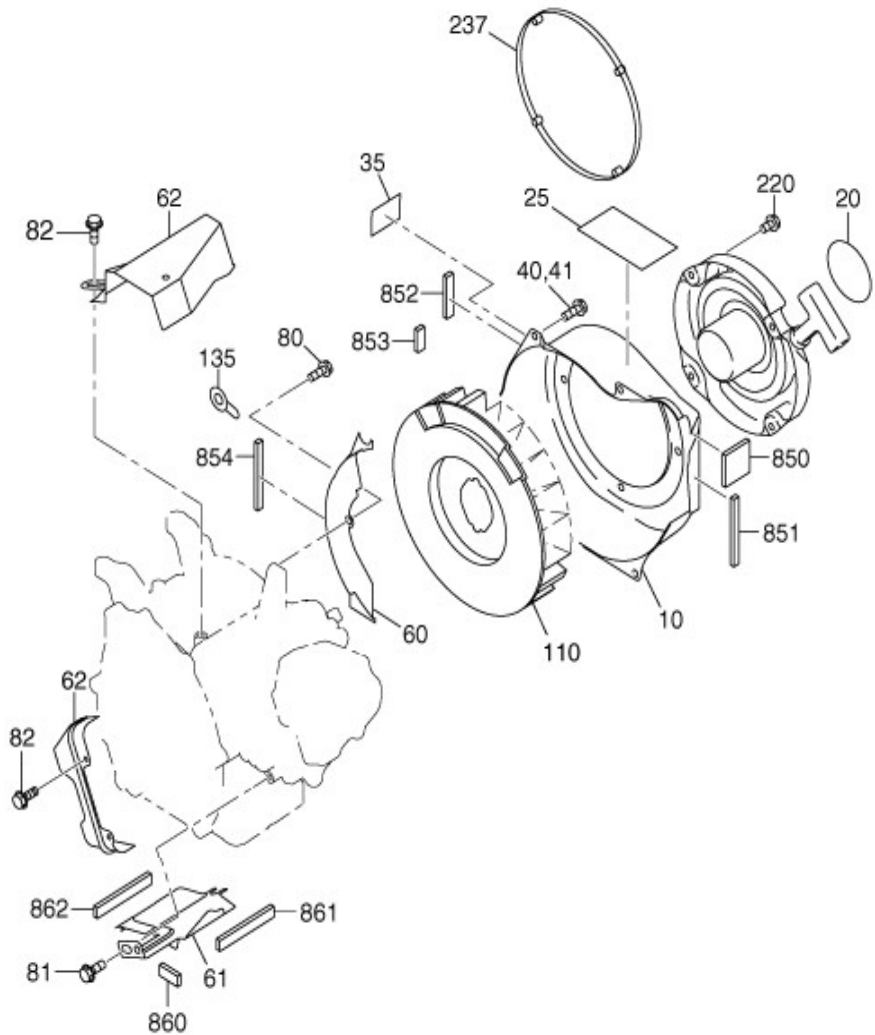


4 GOVERNOR OPERATION

REF.	PART NUMBER	PART NAME	QTY	REMARK	FIG.
13	20A-42301-00	GOVERNOR LEVER AY	1		400
20	20A-42201-03	GOVERNOR SHAFT	1		400
30	20A-42701-01	GOVERNOR ROD CP	1		400
40	20A-42801-03	ROD SPRING	1		400
50	20A-03211-00	CLIP	1		400
80	20A-42510-03	GOVERNOR SPRING	1		400
310-480	20A-46502-00	SPEED CONT AY	1		400
485	20A-01111-00	FLANGE BOLT	2		400

5 COOLING STARTING

FIG. 500

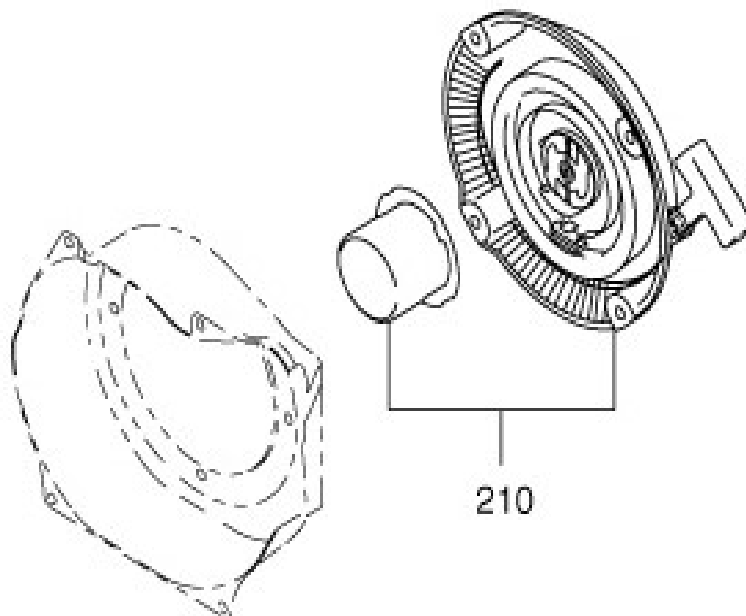


5 COOLING STARTING

REF.	PART NUMBER	PART NAME	QTY	REMARK	FIG.
10	21D-51202-11	BLOWER HOUSING CP	1		500
20	X73-20058-20	LABEL (TRADE MARK)	1		500
40	20A-01114-00	FLANGE BOLT	4		500
60	20A-52711-01	BAFFLE 1 (CASE) CP	1		500
61	20A-52702-01	BAFFLE 2 (HEAD) CP	1		500
80	20A-01115-00	FLANGE BOLT	1		500
81	20A-01111-00	FLANGE BOLT	1		500
110	21D-54101-03	COOLING BLOWER	1		500
220	20A-01114-00	FLANGE BOLT	4		500

5 COOLING STARTING

FIG. 522

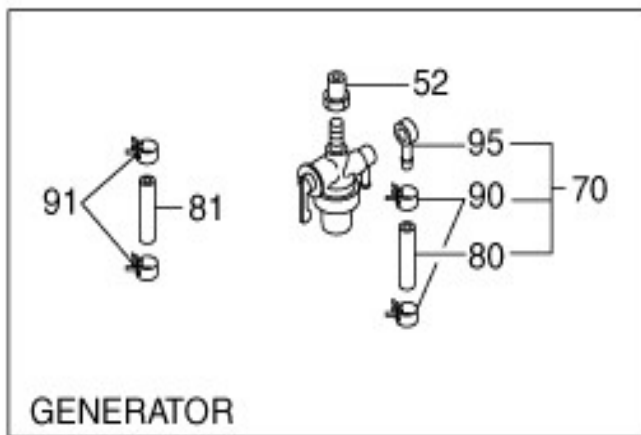
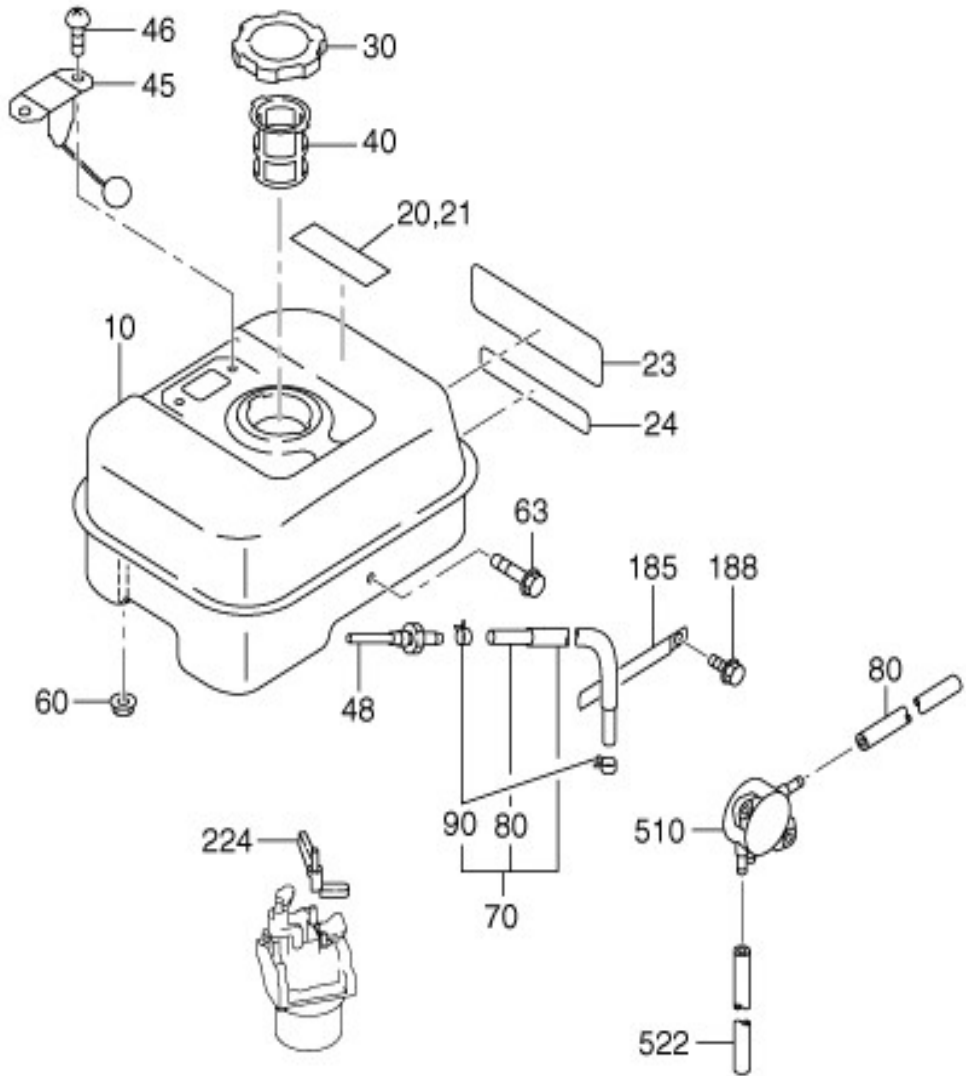


5 COOLING STARTING

REF.	PART NUMBER	PART NAME	QTY	REMARK	FIG.
210	21D-50201-00	RECOIL STARTER AY	1		522

6 FUEL LUBRICANT

FIG. 600



KASEI EX21 engine IPL

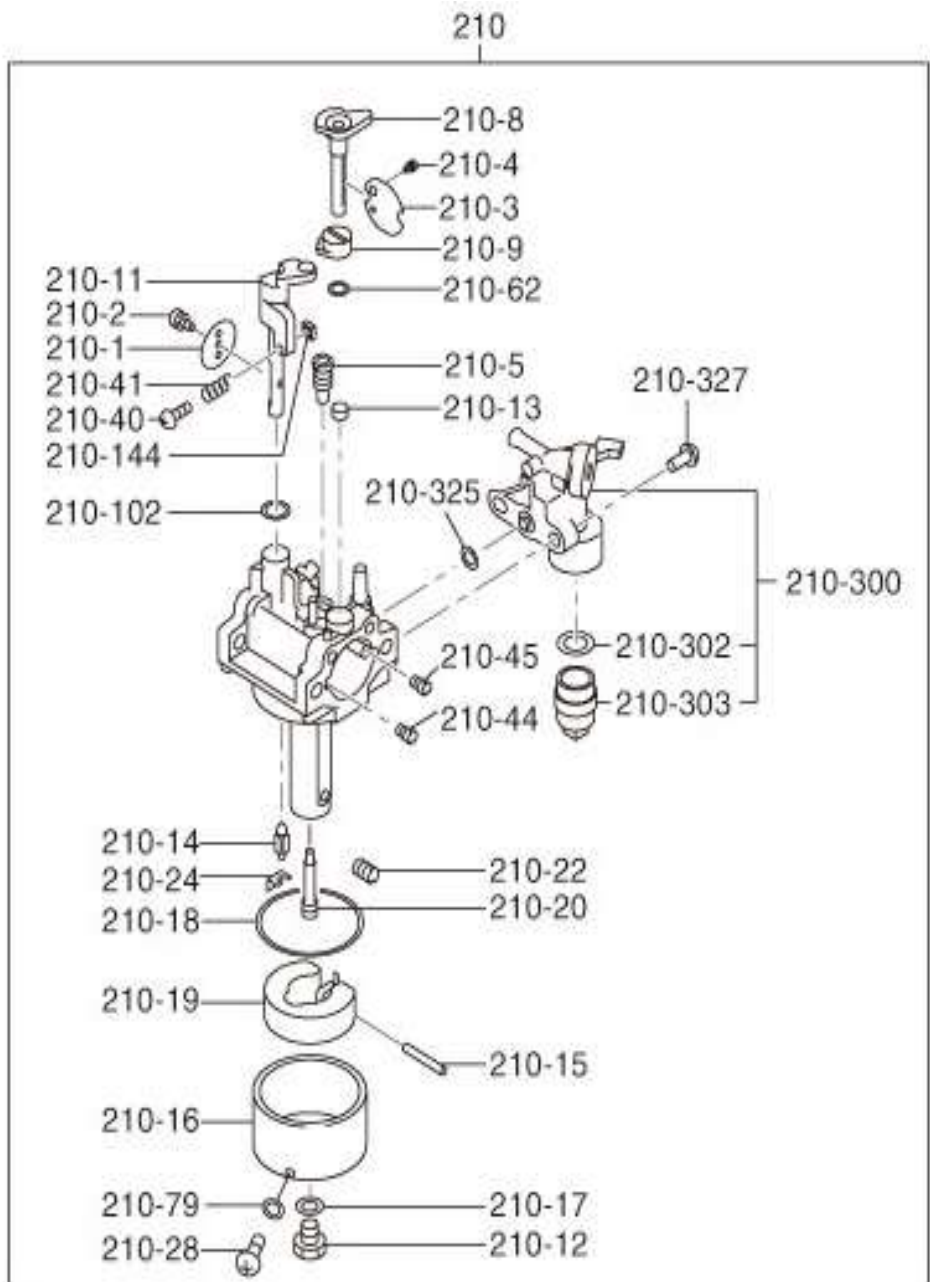
6 FUEL LUBRICANT

REF.	PART NUMBER	PART NAME	QTY		REMARK		FIG.
10	20A-61101-11	FUEL TANK CP	1				600
20	X73-20057-60	LABEL (WARNING)	1				600
23	21D-09705-00	LABEL (EX21)	1				600
30	20A-04401-00	FUEL TANK CAP CP	1				600
40	20A-06401-00	FUEL FILTER	1				600
48	20A-06402-00	UNION	1				600
60	20A-01852-00	FLANGE NUT	2				600
63	20A-01116-00	FLANGE BOLT	1				600
70		FUEL PIPE CP	1				600
80	20A-08105-00	RUBBER PIPE	1				600
90	20A-05801-00	HOSE CLAMP	2				600
224	20A-43801-01	CHOKE LEVER CP	1				600

FIG. 640

6 FUEL LUBRICANT

FIG. 640

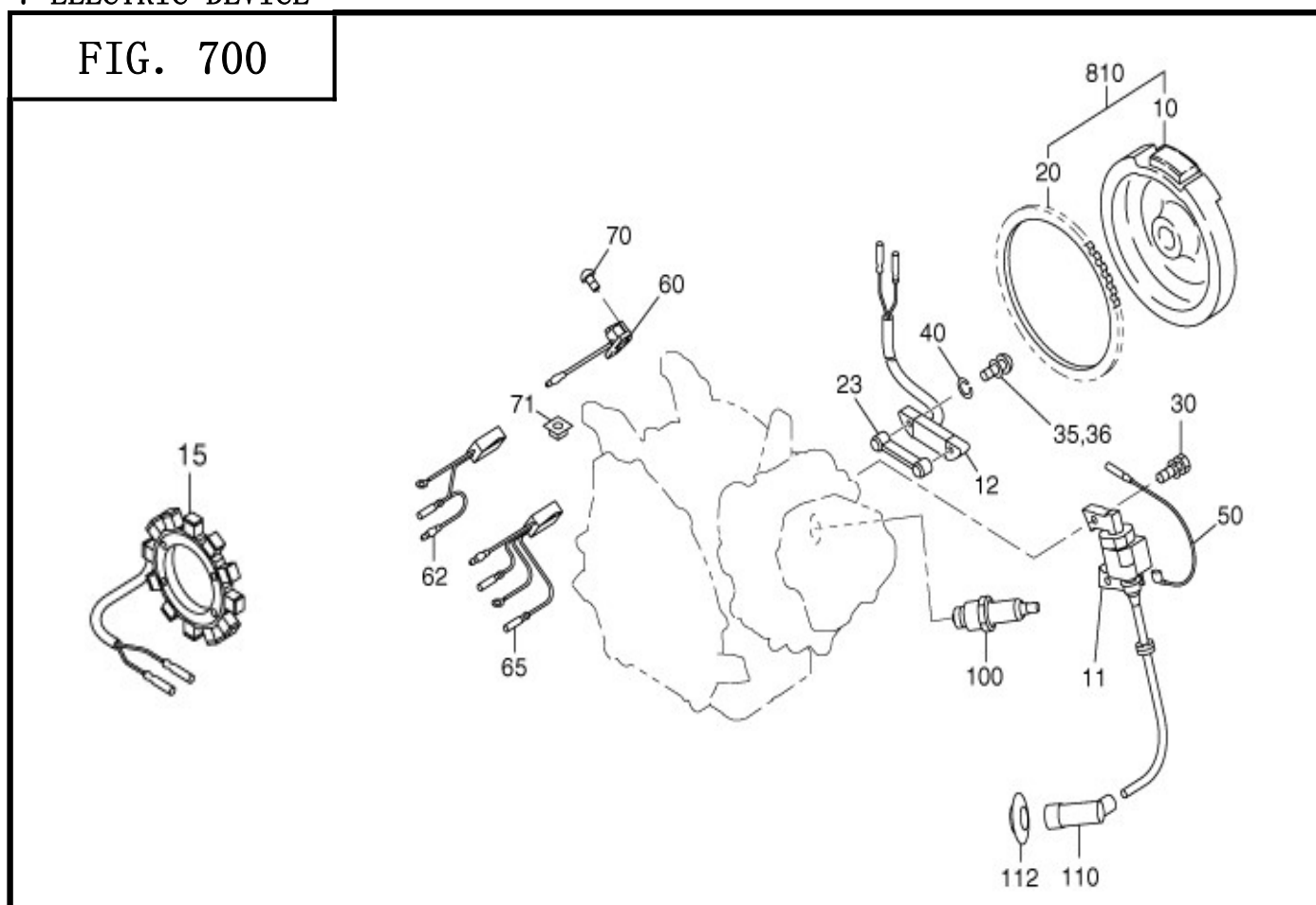


6 FUEL LUBRICANT

REF.	PART NUMBER	PART NAME	QTY	REMARK	FIG.
210	21D-62302-60	CARBURETOR AY	1		640

7 ELECTRIC DEVICE

FIG. 700



7 ELECTRIC DEVICE

REF.	PART NUMBER	PART NAME	QTY	UNIT PRICE USD	REMARK	FIG.
10	20A-79231-01	FLYWHEEL CP	1	6, 14		700
11	20A-79431-01	IGNITION COIL CP	1	4, 2		700
50	20A-73101-01	WIRE 1 CP	1	0, 23		700
60	20A-06601-00	SWITCH AY	1	0, 51		700
70	20A-01403-00	TAPPING SCREW	2	0, 05		700
100	20A-06701-00	SPARK PLUG	1	1, 22		700
110	22E-06801-00	SPARK PLUG CAP	1	0, 84		700