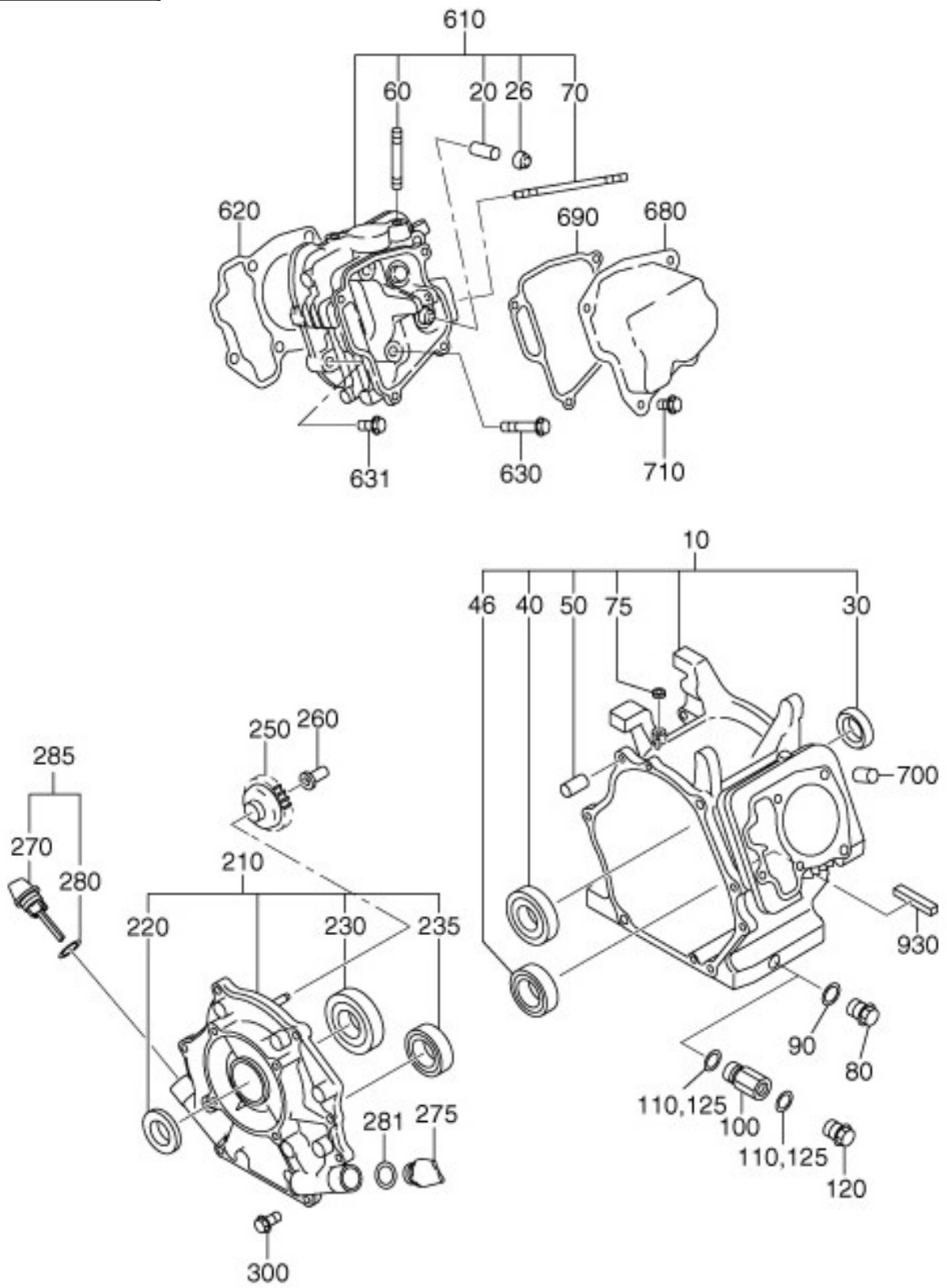


EX270 FIG.100

1 CRANK CASE GROUP

FIG. 100



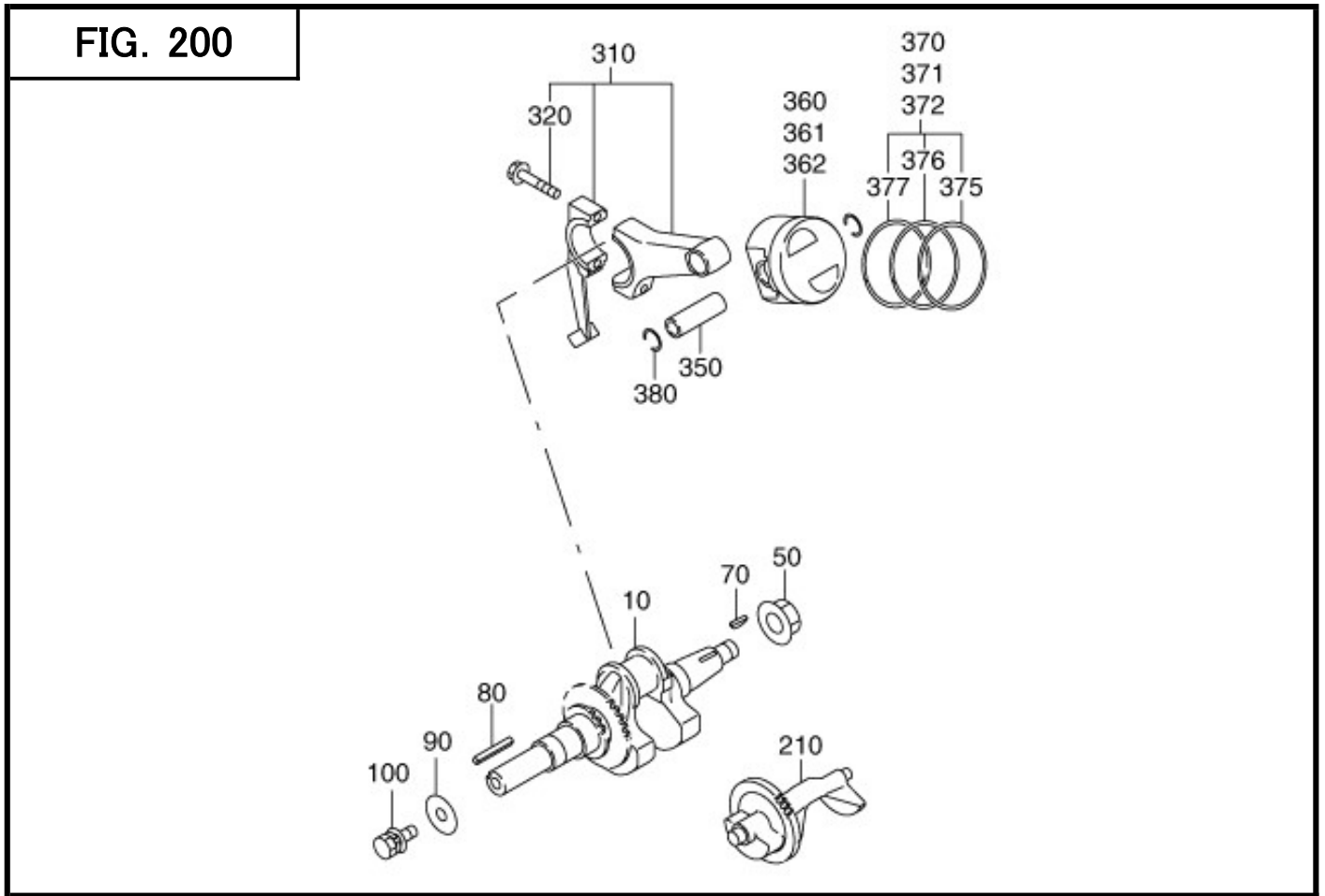
KASEI EX27 engine IPL

1 CRANK CASE GROUP

REF.	PART NUMBER	PART NAME	QTY	REMARK	FIG.
10	22E-10101-01	CRANKCASE CP	1	曲轴箱组件	100
26	20A-16010-01	STEM SEAL	1	气门油封	100
30	22E-04801-00	OIL SEAL	1	油封	100
40	22E-06101-00	BALL BEARING	1	轴承	100
50	20A-15011-03	PIPE KNOCK	2	定位销	100
60	20A-01611-00	STUD	2	嵌入式螺栓	100
70	22E-01601-00	STUD	2	嵌入式螺栓	100
75	20A-04802-00	OIL SEAL	1	油封	100
80	20A-04101-00	PLUG	2	放油螺栓	100
90	20A-02201-00	GASKET	2	垫片	100
210	22E-11002-01	MAINBEARING COVER C	1	曲轴箱盖组件	100
220	22E-04801-00	OIL SEAL	1	油封	100
230	22E-06101-00	BALL BEARING	1	滚珠轴承	100
250	20A-45004-01	GOVERNOR GEAR CP	1	调速齿轮	100
260	20A-41901-03	GOVERNOR SLEEVE	1	调速套筒	100
280	22E-02301-00	GASKET	2	垫片	100
285	22E-63601-00	OIL GAUGE AY	2	油尺总成	100
300	20A-01101-00	FLANGE BOLT	7	法兰螺栓	100
610	22E-13001-01	CYLINDER HEAD CP	1	气缸头组件	100
620	22E-15001-03	GASKET (HEAD)	1	气缸头垫片	100
630	20A-01102-00	FLANGE BOLT	4	法兰螺栓	100
631	20A-01103-00	FLANGE BOLT	1	法兰螺栓	100
680	20A-15505-01	ROCKER COVER CP	1	缸盖罩	100
690	20A-16001-13	GASKET(ROCKER COVE	1	垫片(缸盖罩)	100
700	20A-15011-03	PIPE KNOCK	2	定位销	100
710	20A-01111-00	FLANGE BOLT	4	法兰螺栓	100

EX270 FIG.200

2 CRANKSHAFT,PISTON GROUP



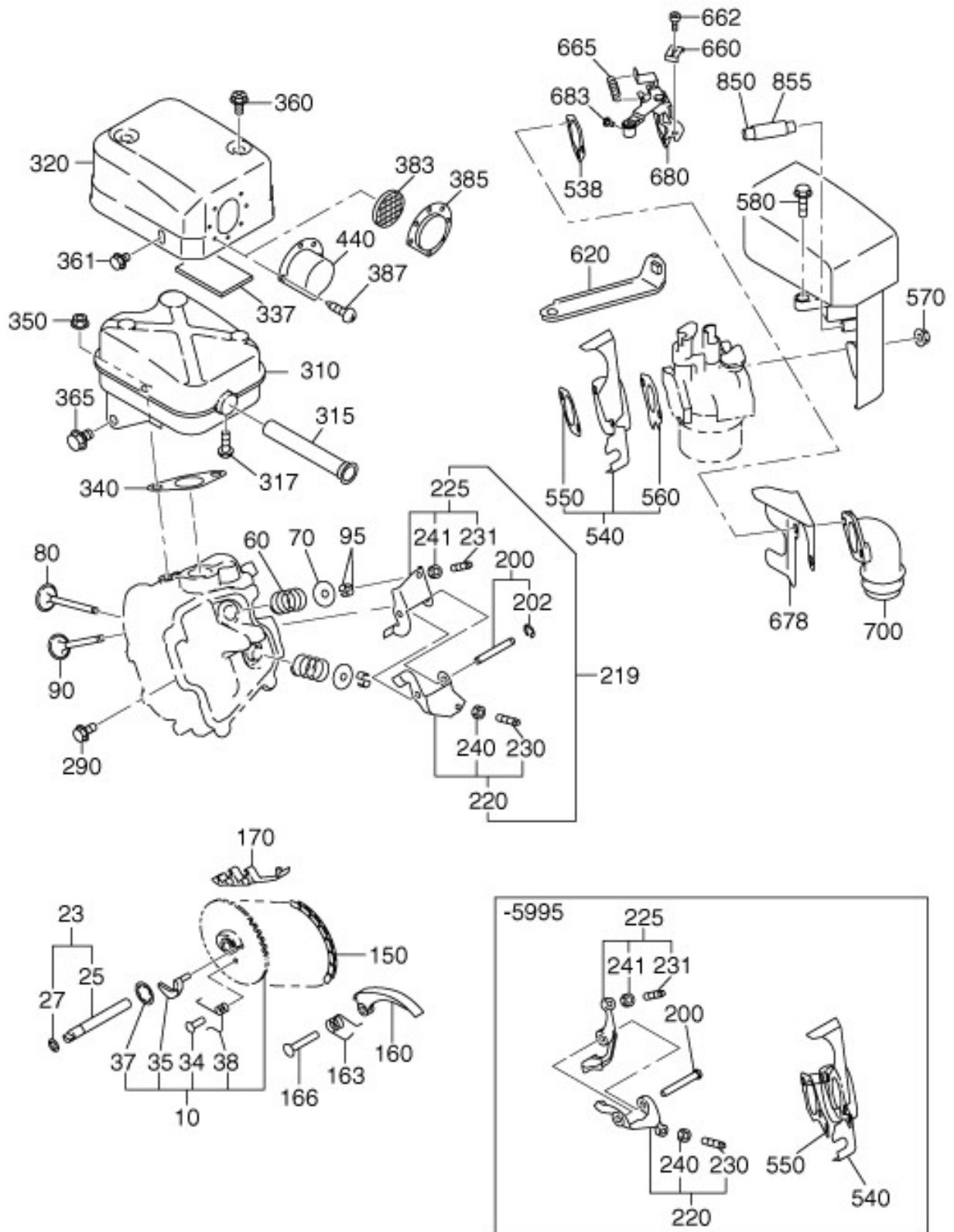
2 CRANKSHAFT,PISTON GROUP

REF.	PART NUMBER	PART NAME	QTY	REMARK	FIG.
10	22E-20901-01	CRANK SHAFT CP	1		200
	22G-01851-00	nut	1		200
70	20A-03601-00	WOODRUFF KEY	1		200
80	22G--26001-03	KEY	1		200
90	22E-02101-00	WASHER	1		200
100	20A-01105-00	FLANGE BOLT	1		200
310	22E-22501-00	CONNECTING ROD AY	1		200
350	22E-23301-03	PISTON PIN	1		200
360	22E-23401-03	PISTON	1		200
375	22E-23601-03	TOP RING	1		200
376	22E-23701-03	SECOND RING	1		200
377	22E-23921-03	OIL RING CP	1		200
380	22E-03201-00	CLIP	2		200

EX270 FIG.300

3 INTAKE, EXHAUST GROUP

FIG. 300



KASEI EX27 engine IPL

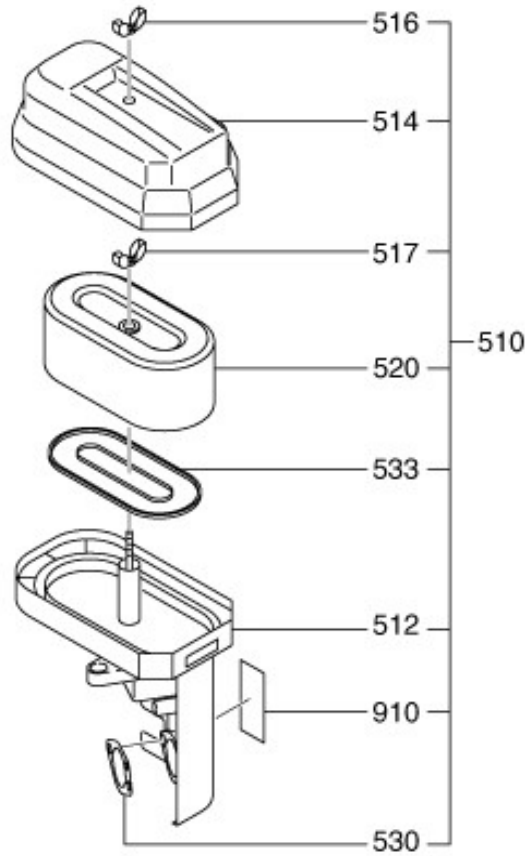
3 INTAKE, EXHAUST GROUP

REF.	PART NUMBER	PART NAME	QTY		REMARK	FIG.
10	22E-31601-01	CAMSHAFT CP	1			300
25	20A-35101-01	PIN(CAM SHAFT)CP	1			300
27	20A-02801-00	O RING	1			300
60	20A-33601-03	VALVE SPRING	2			300
70	20A-33701-03	SPRING RETAINER	2			300
80	22E-33401-03	INTAKE VALVE	1			300
90	22E-33501-03	EXHAUST VALVE	1			300
95	20A-33801-03	COLLET-VALVE	4			300
150	22E-35602-01	TIMING CHAIN CP	1			300
160	20A-36911-03	TENTIONER	1			300
163	20A-37101-03	SPRING(TENTIONER)	1			300
166	20A-36902-03	PIN(TENTIONER)	1			300
170	20A-36913-03	CHAIN GUIDE	1			300
200	20A-35004-01	PIN(ROCKER) CP	1			300
202	20A-03211-00	CLIP	1			300
220	20A-36201-00	ROCKER ARM(IN) AY	1			300
225	20A-36202-00	ROCKER ARM(EX) AY	1			300
290	20A-01111-00	FLANGE BOLT	1			300
310	22E-30101-01	MUFFLER CP	1			300
320	22E-34201-01	MUFFLER COVER CP	1	2.51	消声器罩	300
340	20A-35201-03	GASKET(MUFFLER)	1	0.22	垫片(消声器)	300
350	20A-01851-20	FLANGE NUT	2	0.06	法兰螺母	300
360	20A-01201-00	TAPPING BOLT	2	0.04	自攻螺栓	300
361	20A-01112-00	FLANGE BOLT	1	0.03	法兰螺栓	300
365	20A-01104-00	FLANGE BOLT	1		法兰螺栓	300
387	20A-01402-00	TAPPING SCREW	2		自攻螺栓	300
440	20A-37001-11	DEFLECTOR CP	1		排气导向器	300
540	22E-32902-01	INSULATOR CP	1	0.69	绝缘隔热板	300
550	22E-35903-03	GASKET2(INSULATOR)	1	0.06	垫片(绝缘隔热板)	300
560	22E-35902-03	GASKET1(INSULATOR)	1	0.06	垫片(绝缘隔热板)	300
570	20A-01852-00	FLANGE NUT	2	0.04	法兰螺母	300
580	20A-01121-00	FLANGE BOLT	1		法兰螺栓	300
850	22E-08102-00	RUBBER PIPE	1	0.12	橡胶管	300

EX270 FIG.316

3 INTAKE, EXHAUST GROUP

FIG. 316



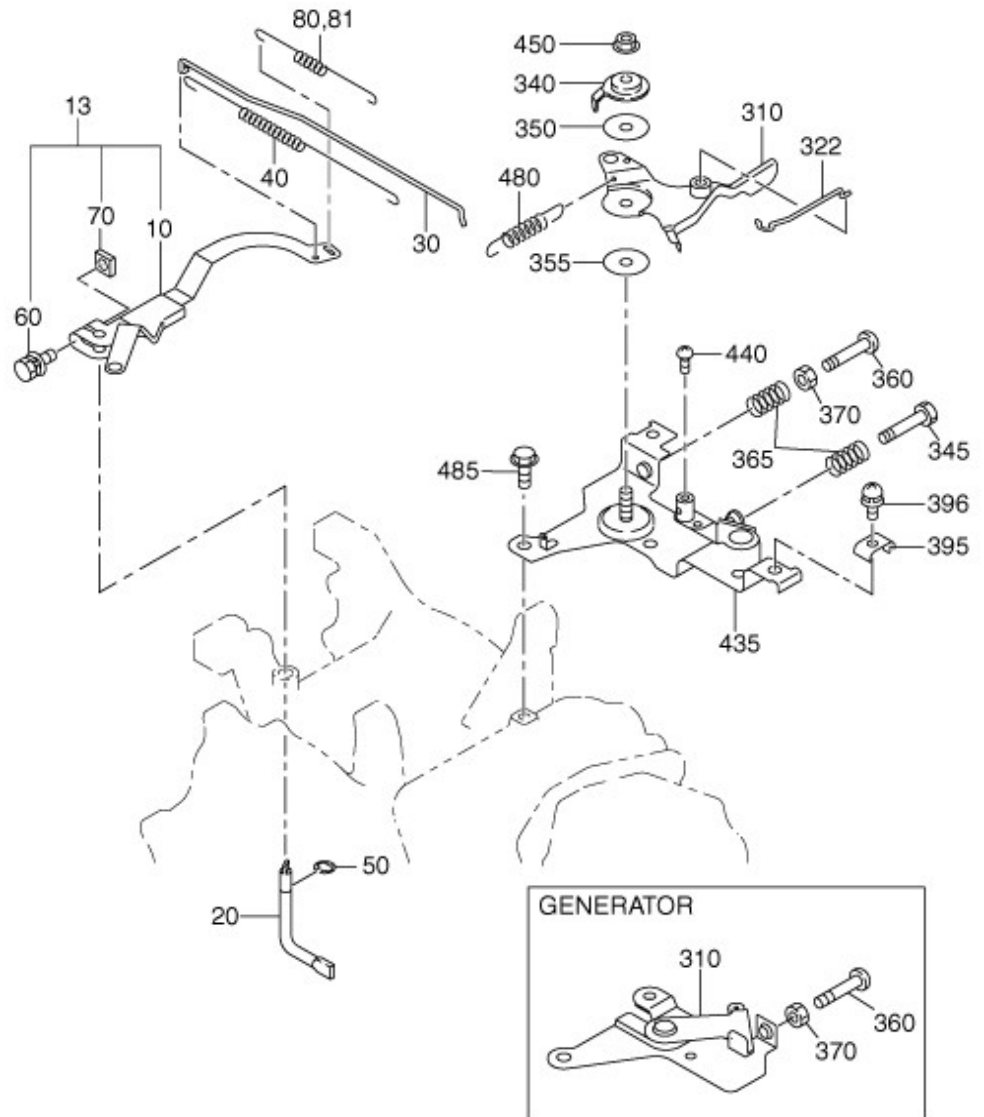
3 INTAKE, EXHAUST GROUP

REF.	PART NUMBER	PART NAME	QTY	REMARK	FIG.
510	22E-32631-00	AIR CLEANER AY	1	空滤总成	316
512	22E-32633-02	BASE UN	1	空滤基座	316
514	22E-32632-01	COVER CP	1	空滤壳体盖	316
516	22E-32639-03	WING NUT	1	蝶型螺母	316
517	20A-32806-03	WING NUT	1	蝶型螺母	316
520	22E-32636-00	ELEMENT AY	1	滤芯	316
530	22E-32624-03	GASKET	1	垫片	316
533	22E-32635-03	PACKING	1	垫圈	316
910	20A-32615-03	LABEL	1	标签(阻风门)	316

EX270 FIG.400

4 GOVERNOR OPERATION GROUP

FIG. 400



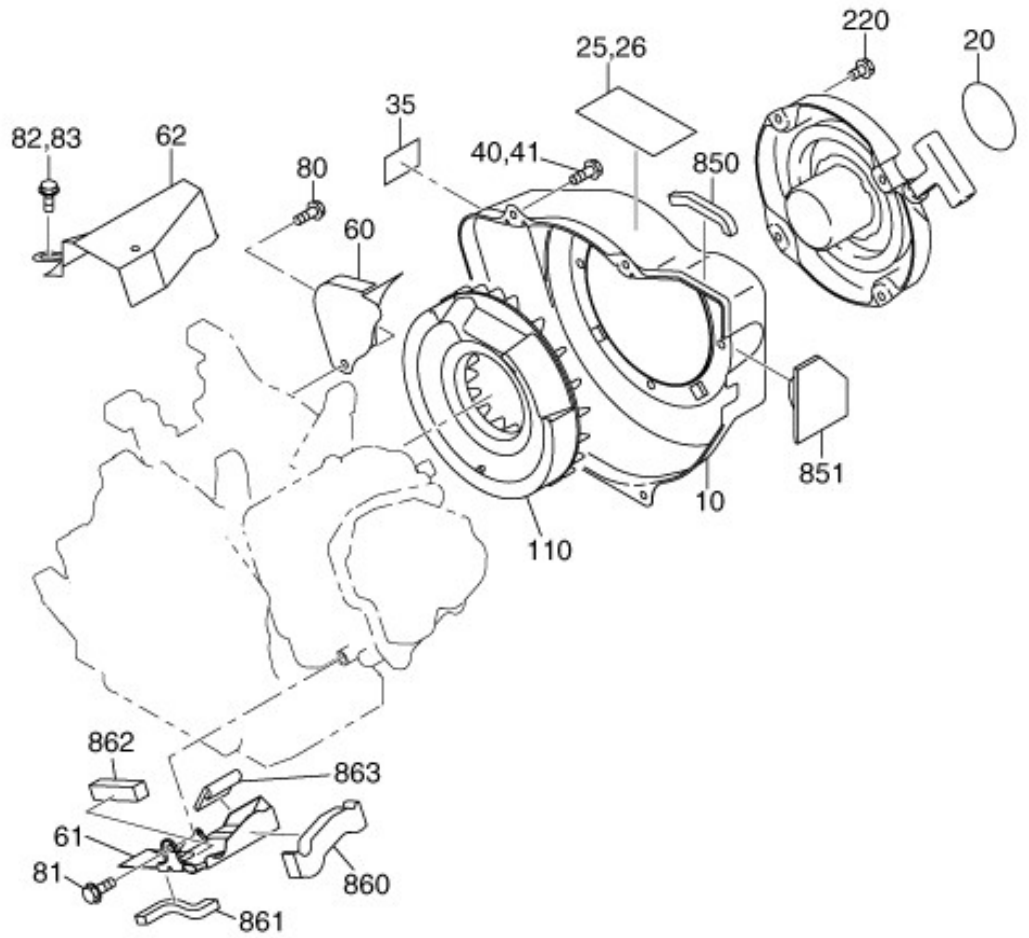
4 GOVERNOR OPERATION GROUP

REF.	PART NUMBER	PART NAME	QTY	REMARK	FIG.
13	22E-42301-00	GOVERNOR LEVER AY	1	摆动杆	400
20	20A-42201-03	GOVERNOR SHAFT	1	调速器推杆	400
30	22E-42701-01	GOVERNOR ROD CP	1	调速器拉杆	400
40	20A-42801-03	ROD SPRING	1	拉杆拉簧	400
50	20A-03211-00	CLIP	1	卡圈	400
80	20A-42510-03	GOVERNOR SPRING	1	调速弹簧	400
310-48	20A-46002-00	SPEED CONT AY	1	速度控制杆	400
485	20A-01111-00	FLANGE BOLT	2	法兰螺栓	400

EX270 FIG.500

5 COOLING, STARTING GROUP

FIG. 500



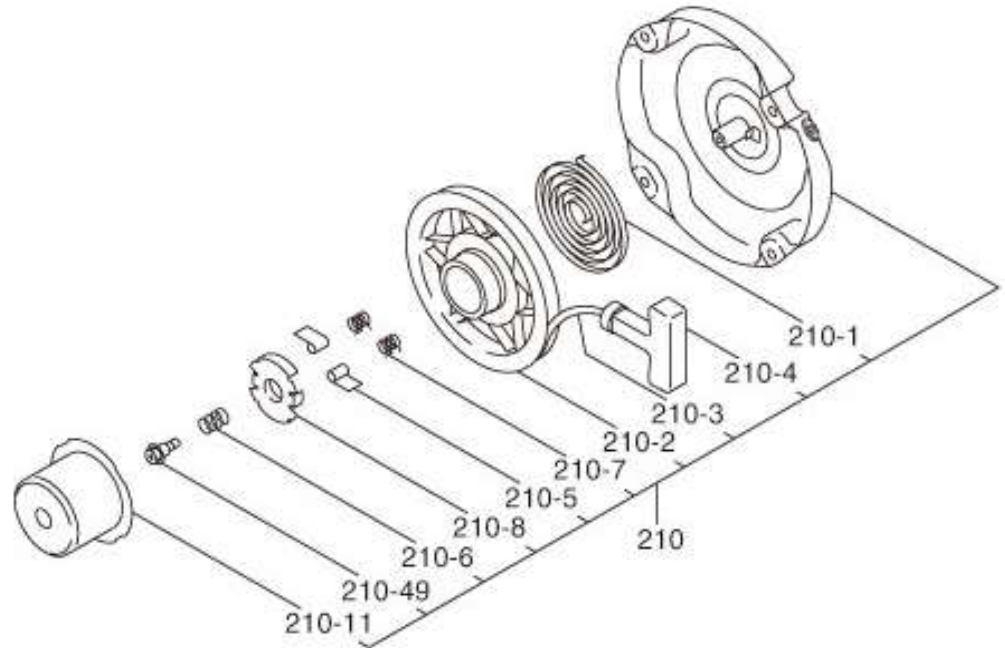
5 COOLING, STARTING GROUP

REF.	PART NUMBER	PART NAME	QTY	REMARK	FIG.
10	22E-51201-01	BLOWER HOUSING CP	1	导风罩	500
40	20A-01114-00	FLANGE BOLT	4	法兰螺栓	500
60	22E-52711-01	BAFFLE 1(CASE) CP	1		500
61	22E-52702-01	BAFFLE 2(HEAD) CP	1		500
80	22G-01201-00	BOLT	1	螺栓	500
81	20A-01111-00	FLANGE BOLT	1	法兰螺栓	500
220	22G-01301-00	BOLT AND WASHER AY	4		500

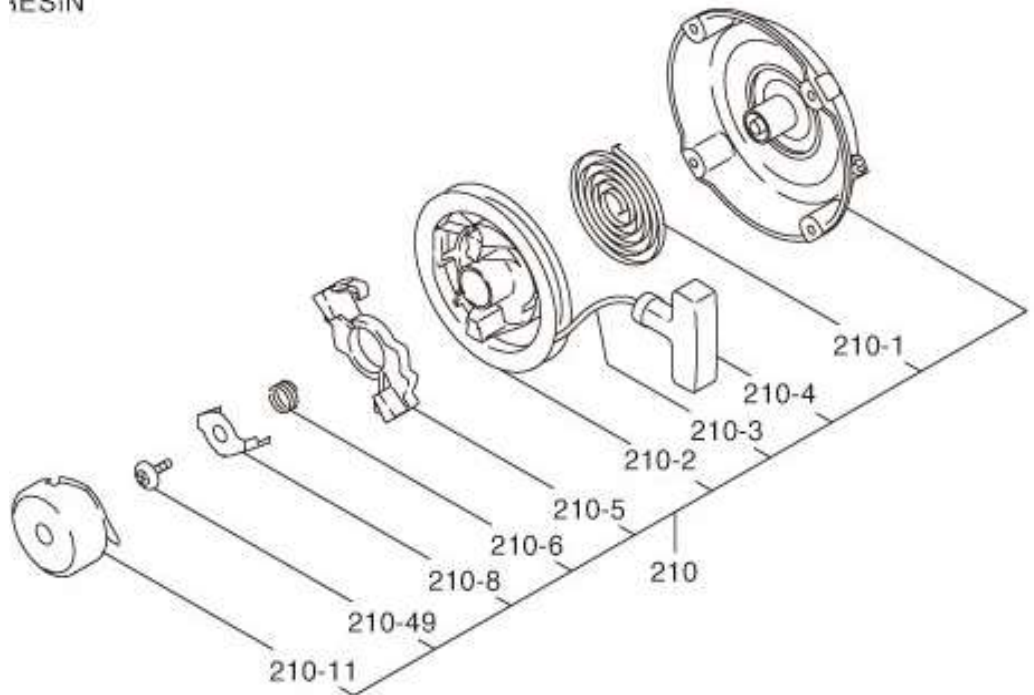
EX270 FIG.520

5 COOLING, STARTING GROUP

FIG. 520



RESIN



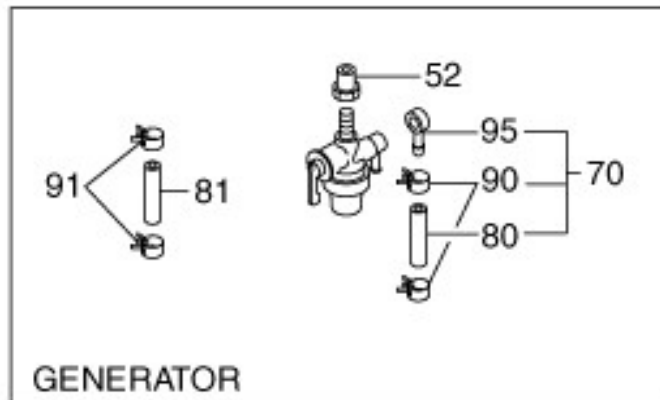
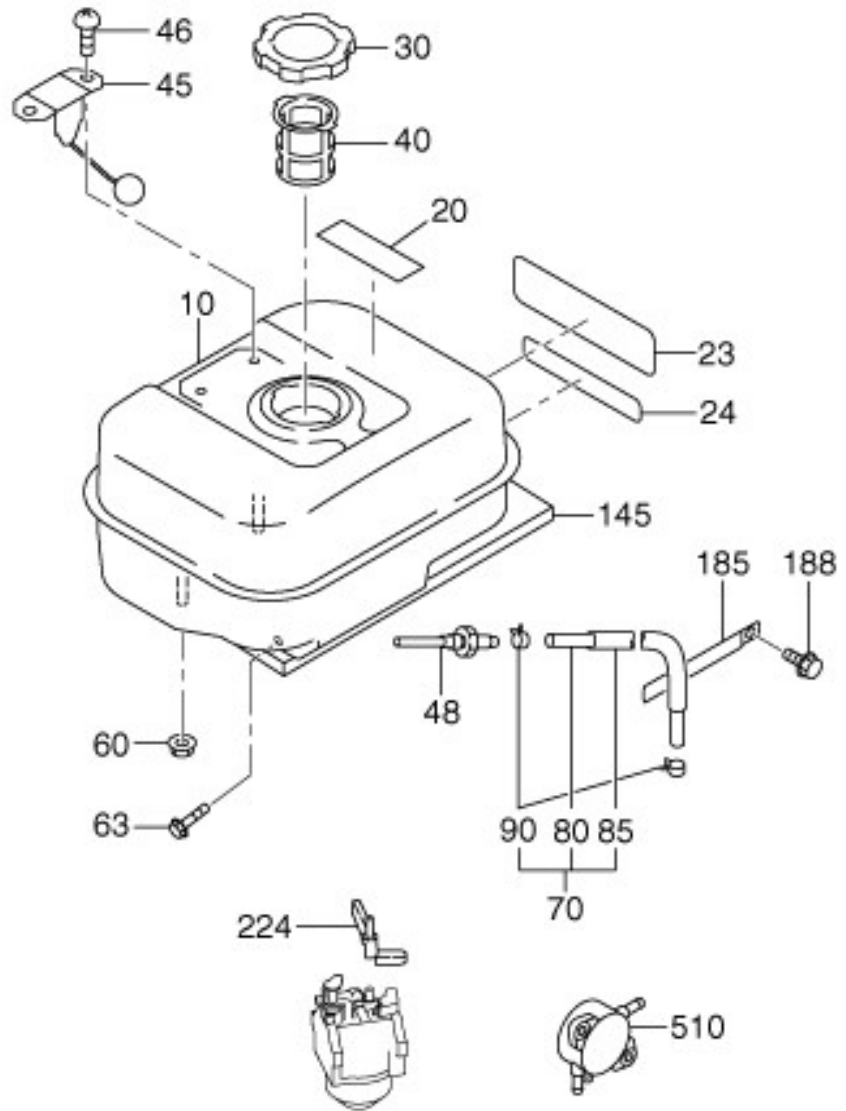
5 COOLING, STARTING GROUP

REF.	PART NUMBER	PART NAME	QTY	REMARK	FIG.
210	22E-50301-00	RECOIL STARTER AY	1	起动机拉盘总成	520

EX270 FIG.600

6 FUEL, LUBRICANT GROUP

FIG. 600



KASEI EX27 engine IPL

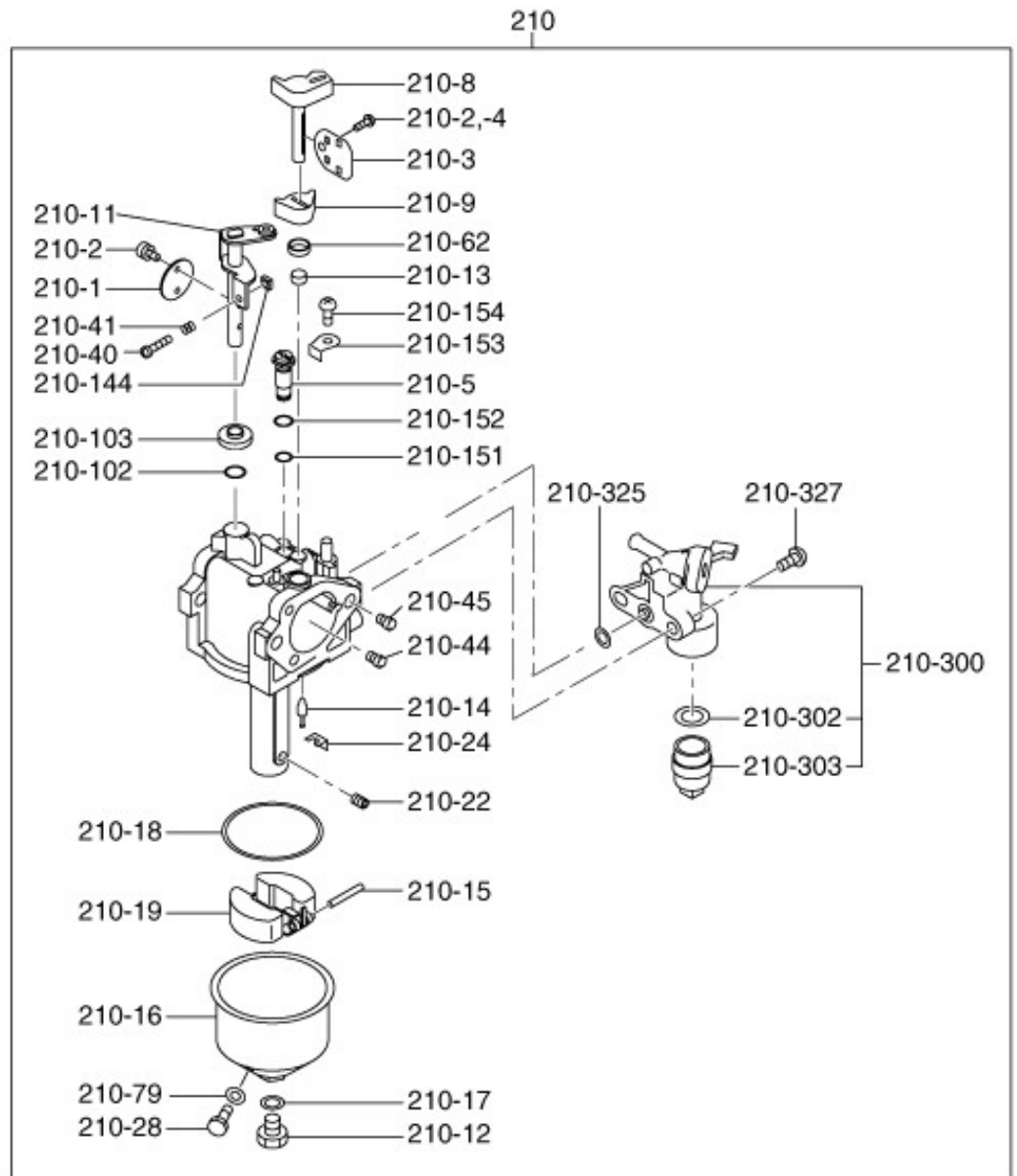
6 FUEL, LUBRICANT GROUP

REF.	PART NUMBER	PART NAME	QTY		REMARK		FIG.
	22E6015100	FUEL TANK AY	1				600
10	22E-60101-01	FUEL TANK CP	1			ROBIN YELLOW	600
20	X73-20057-60	LABEL(WARNING)	1				600
23	22E-95112-03	LABEL(MODEL)	1				600
30	20A-04401-00	FUEL TANK CAP CP	1				600
40	20A-06401-00	FUEL FILTER	1				600
48	20A-06402-00	UNION	1				600
60	20A-01851-20	FLANGE NUT	2				600
63	20A-01105-00	FLANGE BOLT	2				600
70	22E-62602-01	FUEL PIPE CP	1				600
80	22E-08101-00	RUBBER PIPE	1				600
85	22E-64502-01	GLASS TUBE	1				600
90	20A-05801-00	HOSE CLAMP	2				600
224	20A-43801-01	CHOKE LEVER CP	1				600

EX270 FIG.640

6 FUEL, LUBRICANT GROUP

FIG. 640



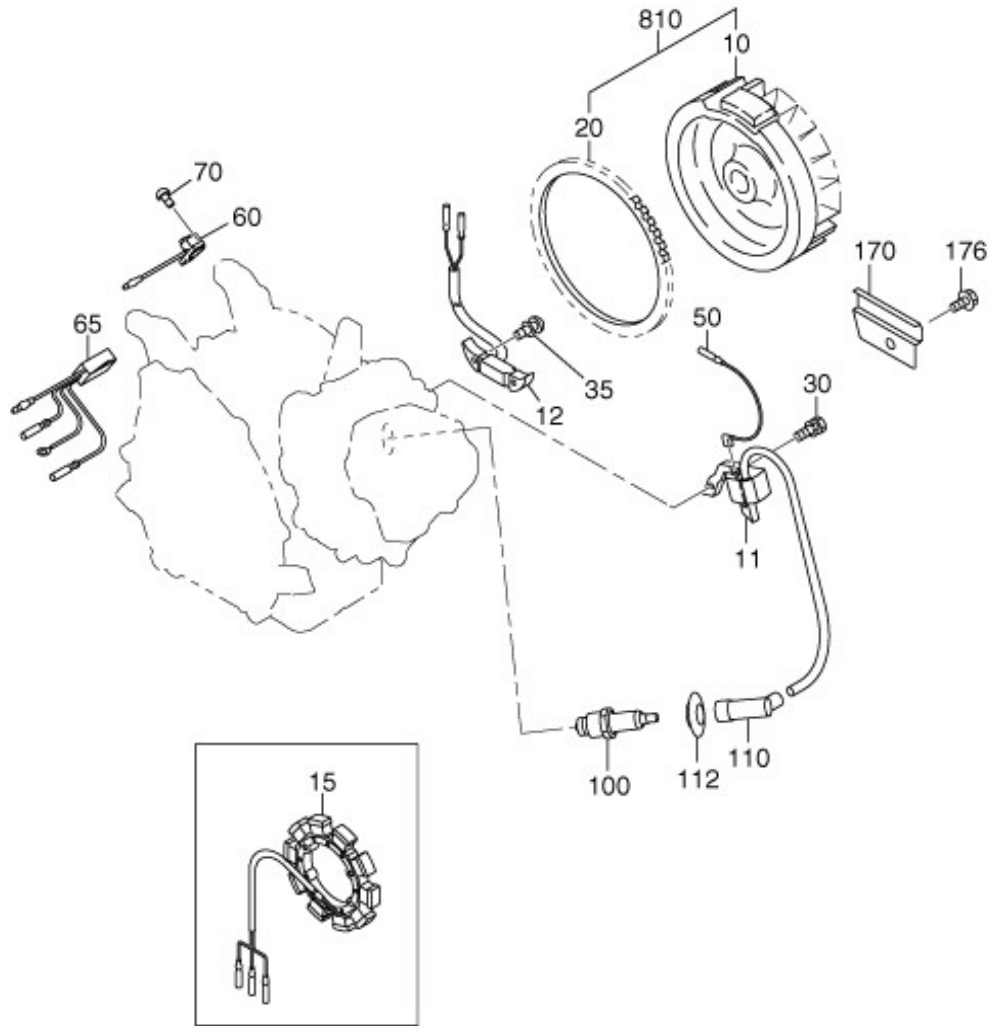
6 FUEL, LUBRICANT GROUP

REF.	PART NUMBER	PART NAME	QTY	REMARK	FIG.
210	22E-62362-00	CARBURETOR AY	1	化油器	640

EX270 FIG.700

7 ELECTRIC DEVICE GROUP

FIG. 700



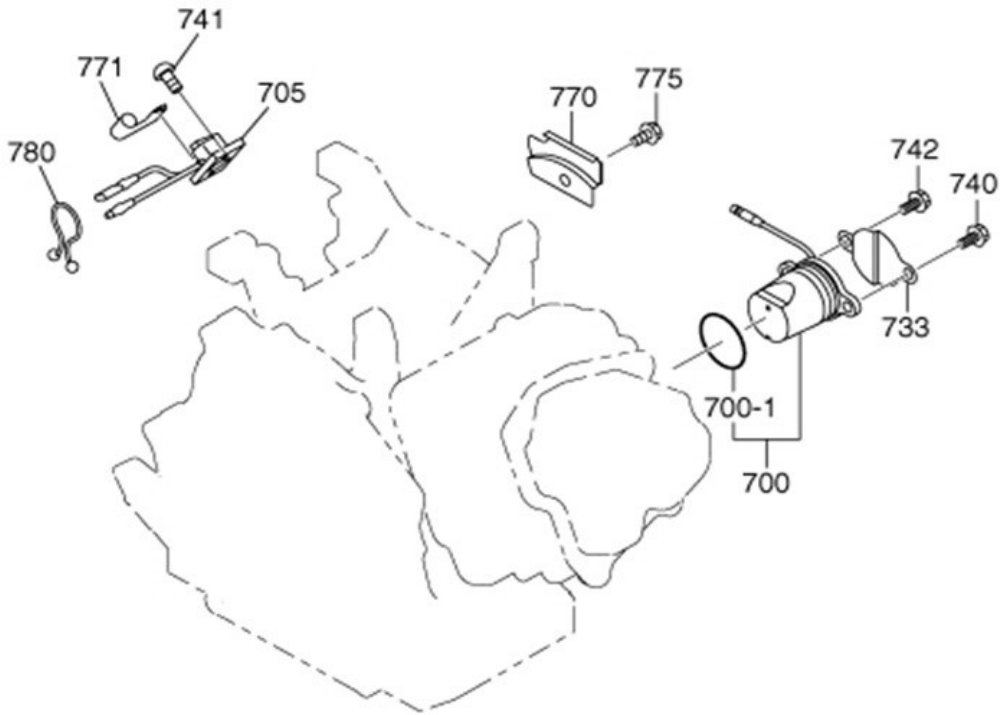
7 ELECTRIC DEVICE GROUP

REF.	PART NUMBER	PART NAME	QTY		REMARK		FIG.
10	22E-79230-01	FLYWHEEL CP	1				700
11	22E-79430-01	IGNITION COIL CP	1				700
30	20A-01302-00	BOLT AND WASHER AY	2				700
50	20A-73101-01	WIRE 1 CP	1				700
60	22G-06601-00	SWITCH AY	1				700
70	20A-01403-00	TAPPING SCREW	2				700
100	20A-06701-00	SPARK PLUG	1				700
110	22E-06801-00	SPARK PLUG CAP	1				700

EX270 FIG.770

7 ELECTRIC DEVICE GROUP

FIG. 770



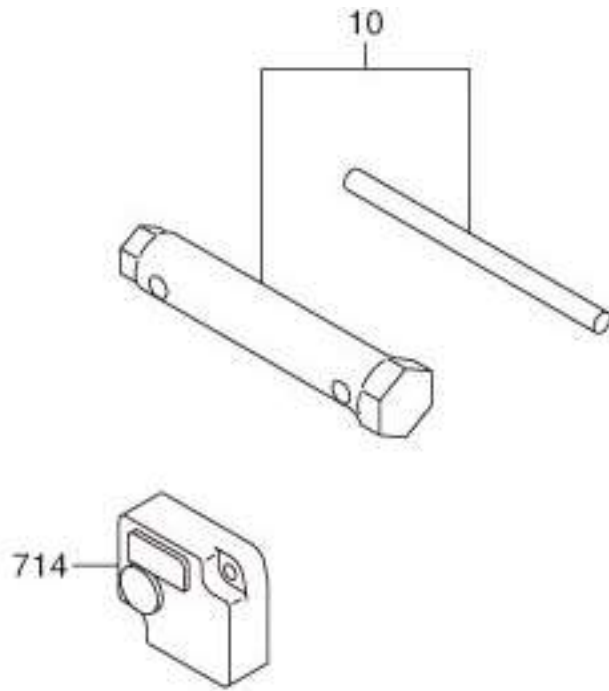
7 ELECTRIC DEVICE GROUP

REF.	PART NUMBER	PART NAME	QTY	REMARK	FIG.
700	279-76301-61	OIL SENSOR CP	1		770
-1	277-76350-08	O RING	1		770
705	KU3-11071-01	FLOAT C/U CP4	1		770
733	20A-75801-03	SHIELD PLATE(O/S)	1		770
740	20A-01120-00	FLANGE BOLT	2		770
741	20A-01201-00	TAPPING BOLT	2		770
770	22E-75501-01	WIRE CLAMP	1		770
780	20A-05901-00	PURSE LOCK	1		770

EX270 FIG.900

9 ACCESSORIES, LABEL

FIG. 900



9 ACCESSORIES LABEL

REF.	PART NUMBER	PART NAME	QTY	REMARK	FIG.
10		ACCESSORY TOOL KIT	1	随机工具	900
	20A-99969-01	OWNERS MANUAL AY	1	说明书	19 languages 900