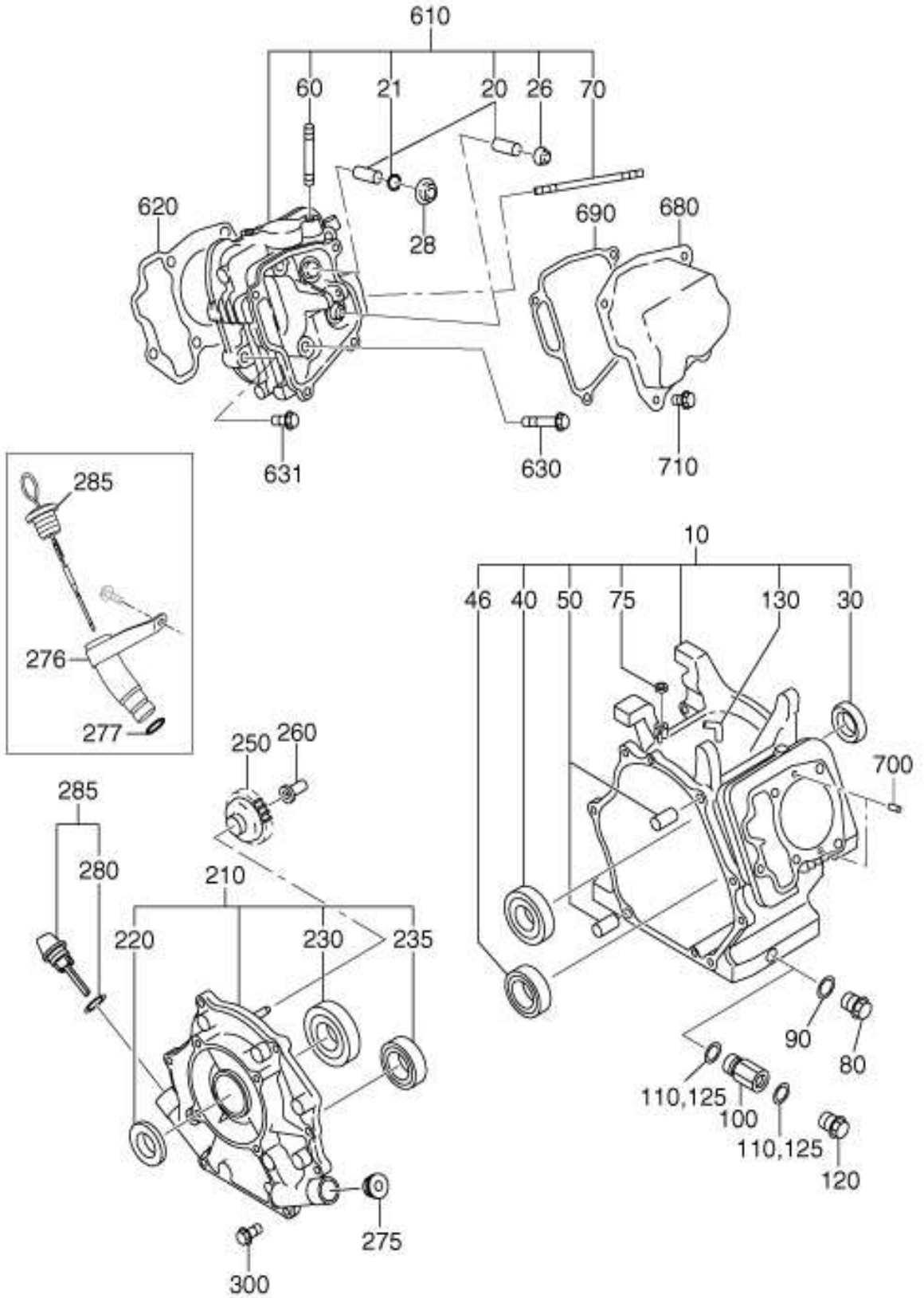


EX400 FIG. 100

1 CRANK CASE GROUP

FIG. 100

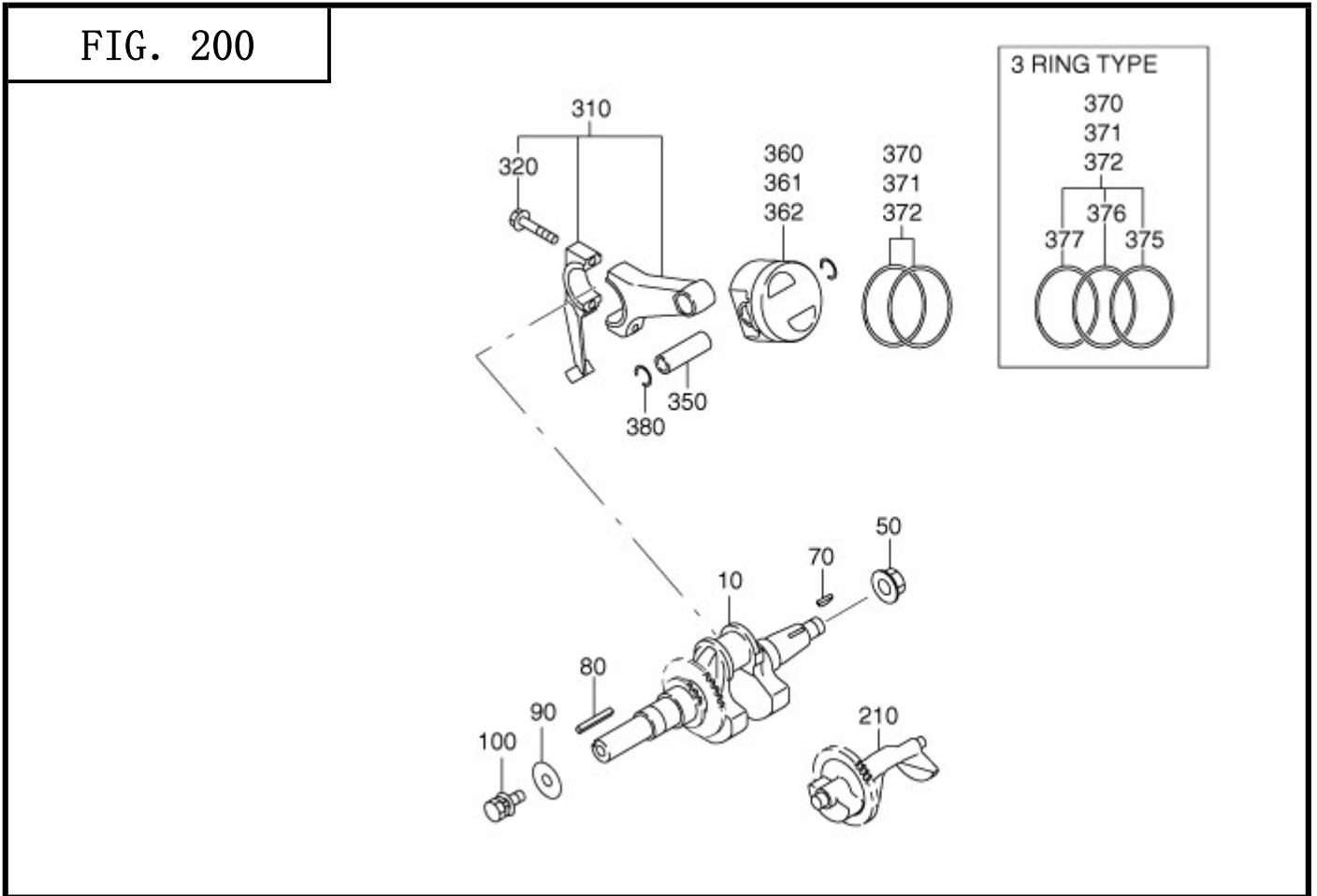


1 CRANK CASE GROUP

REF.	PART NUMBER	PART NAME	QTY	REMARK	FIG.
10	22G-10102-01	CRANKCASE CP	1	曲轴箱组件	100
10	22G-10101-01	CRANKCASE CP	1	曲轴箱组件	
21	22G-03201-00	CLIP	1	卡簧	100
26	22G-16010-01	STEM SEAL	1	气门油封	100
28	22G-35341-03	RETAINER PLATE	1	挡圈	100
30	22G-04801-00	OIL SEAL	1	油封	100
40	22G-06101-00	BALL BEARING	1	滚珠轴承	100
46	22G-06102-00	BALL BEARING	1	滚珠轴承	100
50	20A-15011-03	PIPE KNOCK	2	定位销	100
60	20A-01613-00	STUD	2	双头螺栓	100
70	20A-01601-00	STUD	2	双头螺栓	100
75	22G-04802-00	OIL SEAL	1	油封	100
80	20A-04101-00	PLUG	2	放油螺栓	100
90	20A-02201-00	GASKET	2	垫片	100
210	22G-11001-01	MAINBEARING COVER CP	1	曲轴箱盖组件	100
210	22G-11002-01	MAINBEARING COVER CP	1	曲轴箱盖组件	100
220	22G-04801-00	OIL SEAL	1	油封	100
230	22G-06101-00	BALL BEARING	1	滚珠轴承	100
235	22G-06102-00	BALL BEARING	1	滚珠轴承	100
250	22G-45003-01	GOVERNOR GEAR CP	1	调速齿轮	100
260	20A-41901-03	GOVERNOR SLEEVE	1	调速套筒	100
285	22E-63601-00	OIL GAUGE AY	2	油标尺	100
300	22G-01101-00	FLANGE BOLT	8	法兰螺栓	100
610	22G-13001-01	CYLINDER HEAD cp	1	气缸头总成	100
620	22G-15001-03	GASKET (HEAD)	1	气缸头垫片	100
630	22G-01102-00	FLANGE BOLT	4	法兰螺栓	100
631	20A-01101-00	FLANGE BOLT	2	法兰螺栓	100
680	22G-15501-01	ROCKER COVER CP	1	缸盖罩	100
690	22G-16001-03	GASKET (ROCKER COVER)	1	垫片 (缸盖罩)	100
700	22G-03101-00	DOWEL PIN	2	定位销	100
710	20A-01111-00	FLANGE BOLT	4	法兰螺栓	100

FIG. 200

2 CRANKSHAFT, PISTON GROUP



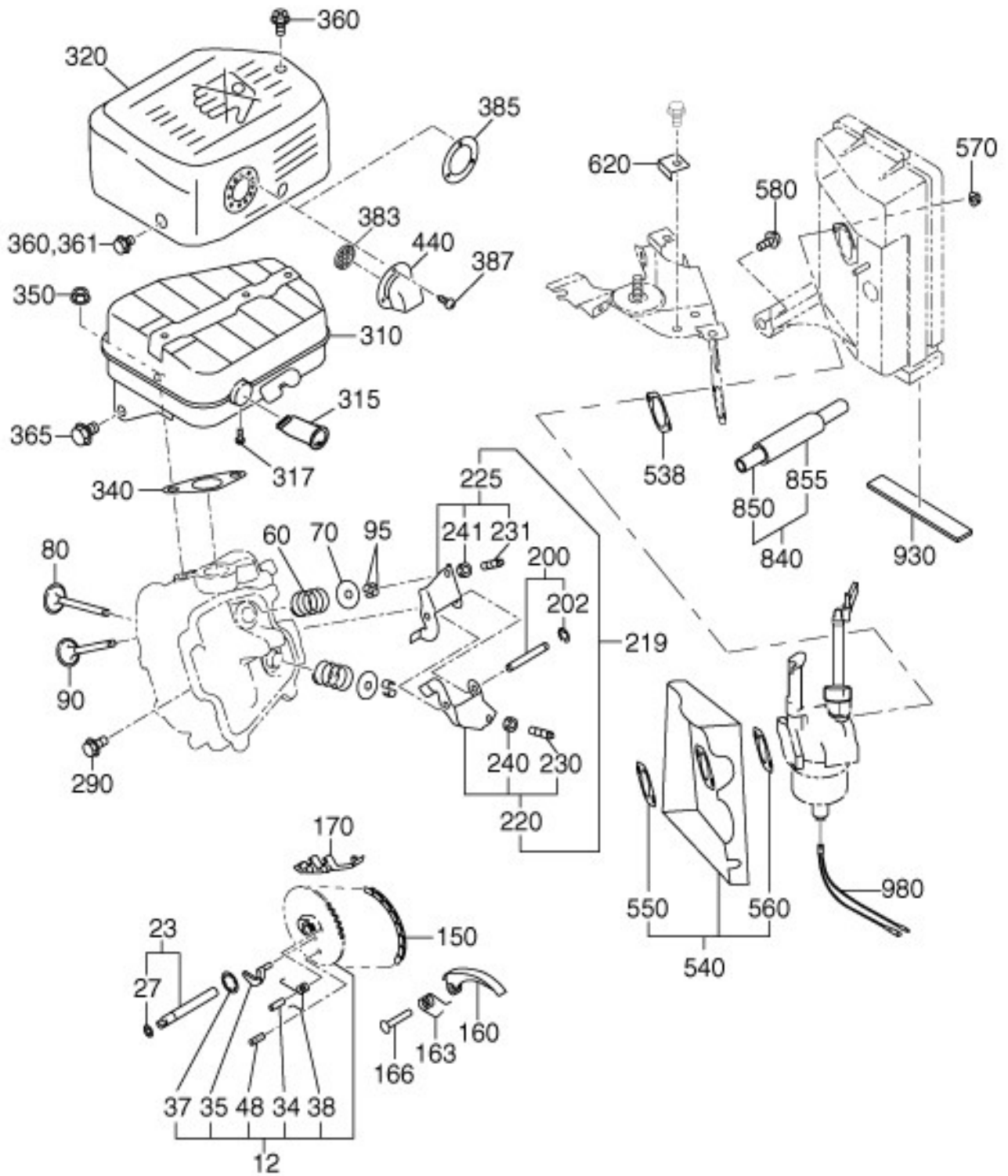
2 CRANKSHAFT, PISTON GROUP

REF.	PART NUMBER	PART NAME	QTY	REMARK	FIG.
10	22G-20202-01	CRANKSHAFT CP	1	曲轴	200
10	22G-20901-13	CRANKSHAFT CP	1	曲轴	
50	22G-01851-00	FLANGE NUT	1	法兰螺母	200
70	22G-03601-00	WOODRUFF KEY	1	半圆键	200
80	22G-03602-00	KEY	1	平键	200
80	22G-26001-03	KEY	1	平键	
90	22G-02107-00	WASHER	1	垫圈	200
100	22G-01307-00	BOLT AND WASHER AY	1	带垫圈螺栓	200
210	22G-24101-03	BALANCER SHAFT	1	平衡轴	200
310	22G-22503-00	CONNECTING ROD AY	1	连杆总成	200
320	22G-01103-00	FLANGE BOLT	2	法兰螺栓	200
350	22G-23301-03	PISTON PIN	1	活塞销	200
360	22G-23401-03	PISTON	1	活塞	200
375	22G-23601-03	TOP RING	1	一环	200
376	22G-23701-03	SECOND RING	1	二环	200
377	22G-23921-03	OIL RING	1	油环	200
380	22G-03202-00	CLIP	2	卡簧	200

FIG. 300

3 INTAKE, EXHAUST GROUP

FIG. 300



3 INTAKE, EXHAUST GROUP

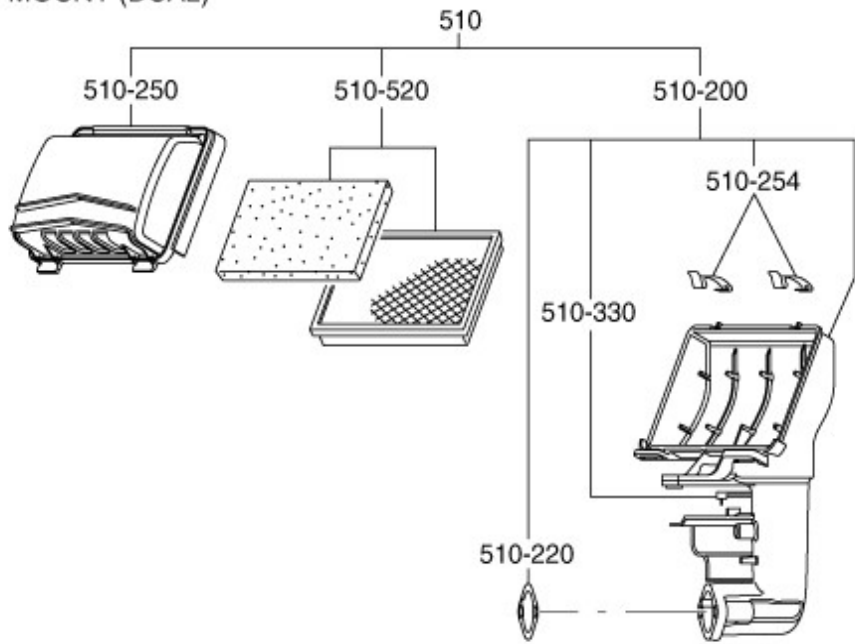
REF.	PART NUMBER	PART NAME	QTY		REMARK	FIG.
12	22G-31601-00	CAMSHAFT AY	1		凸轮轴总成	300
23	22G-35101-01	PIN(CAM SHAFT)CP	1		销轴 (凸轮轴)	300
27	22G-02801-00	O-RING	1		O型环	300
60	22G-33611-03	VALVE SPRING	2		气门弹簧	300
70	22G-33711-03	SPRING RETAINER	2		气门弹簧盘	300
80	22G-33402-03	INTAKE VALVE	1		进气门	300
90	22G-33502-03	EXHAUST VALVE	1		排气门	300
95	22G-35501-03	COLLET-VALVE	4		气门卡锁	300
150	22G-35601-01	TIMING CHAIN CP	1		正时链条	300
160	20A-36911-03	TENTIONER	1		张紧器	300
163	20A-37101-03	SPRING(TENTIONER)	1		弹簧 (张紧器)	300
166	20A-36902-03	PIN(TENTIONER)	1		销 (张紧器)	300
170	20A-36913-03	CHAIN GUIDE	1		链条导板	300
200	22G-35001-01	PIN(ROCKER)CP	1		插销 (摇臂)	300
202	22G-03203-00	CLIP	1		卡簧	300
220	22G-36101-00	ROCKER ARM(IN) AY	1		摇臂 (进气)	300
225	22G-36102-00	ROCKER ARM(EX) AY	1		摇臂 (排气)	300
290	20A-01111-00	FLANGE BOLT	1		法兰螺栓	300
	20A-01112-00	FLANGE BOLT	1		法兰螺栓	300
310	22G-30101-02	MUFFLER UN	1	15, 05	消声器	300
320	22G-34201-01	MUFFLER COVER CP	1	4, 47	消声器罩	300
340	22G-35201-03	GASKET(MUFFLER)	1	0, 29	垫片 (消声器)	300
350	20A-01851-20	FLANGE NUT	2	0, 06	法兰螺母	300
360	20A-01112-00	FLANGE BOLT	5	0, 03	法兰螺栓	300
365	20A-01104-00	FLANGE BOLT	1	0, 06	法兰螺栓	300
387	20A-01402-00	TAPPING SCREW	3		自攻螺栓	300
440	22G-37002-01	DEFLECTOR CP	1		转向器	300
538	22G-35903-03	GASKET 3	1	0, 08	垫片	300
540	22G-32901-01	INSULATOR CP	1	0, 83	绝缘隔热板	300
550	22G-35902-03	GASKET 2	1	0, 06	垫片 (绝缘隔热板)	300
560	22G-35901-03	GASKET 1	1	0, 06	垫片 (绝缘隔热板)	300
570	20A-01852-00	FLANGE NUT	2	0, 04	法兰螺母	300
580	20A-01115-00	FLANGE BOLT	1	0, 04	法兰螺栓	300
620	22G-57101-01	COVER STAY CP(A/C)	1		夹板	300
850	22G-08101-00	RUBBER PIPE	1	0, 43	橡胶管	300

FIG. 317

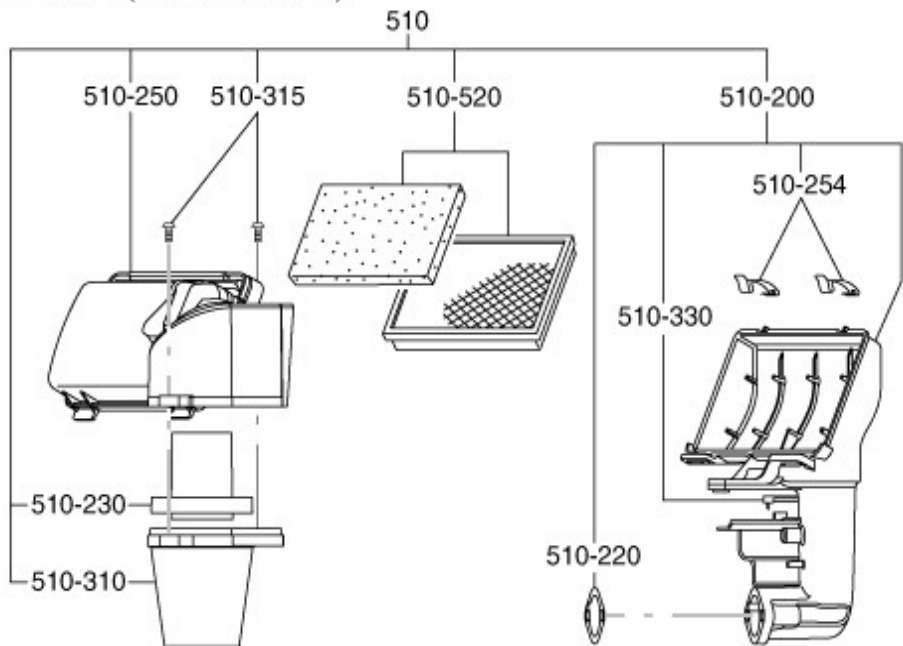
3 INTAKE, EXHAUST GROUP

FIG. 317

HI MOUNT (DUAL)



HI MOUNT (PRE CYCLONE)



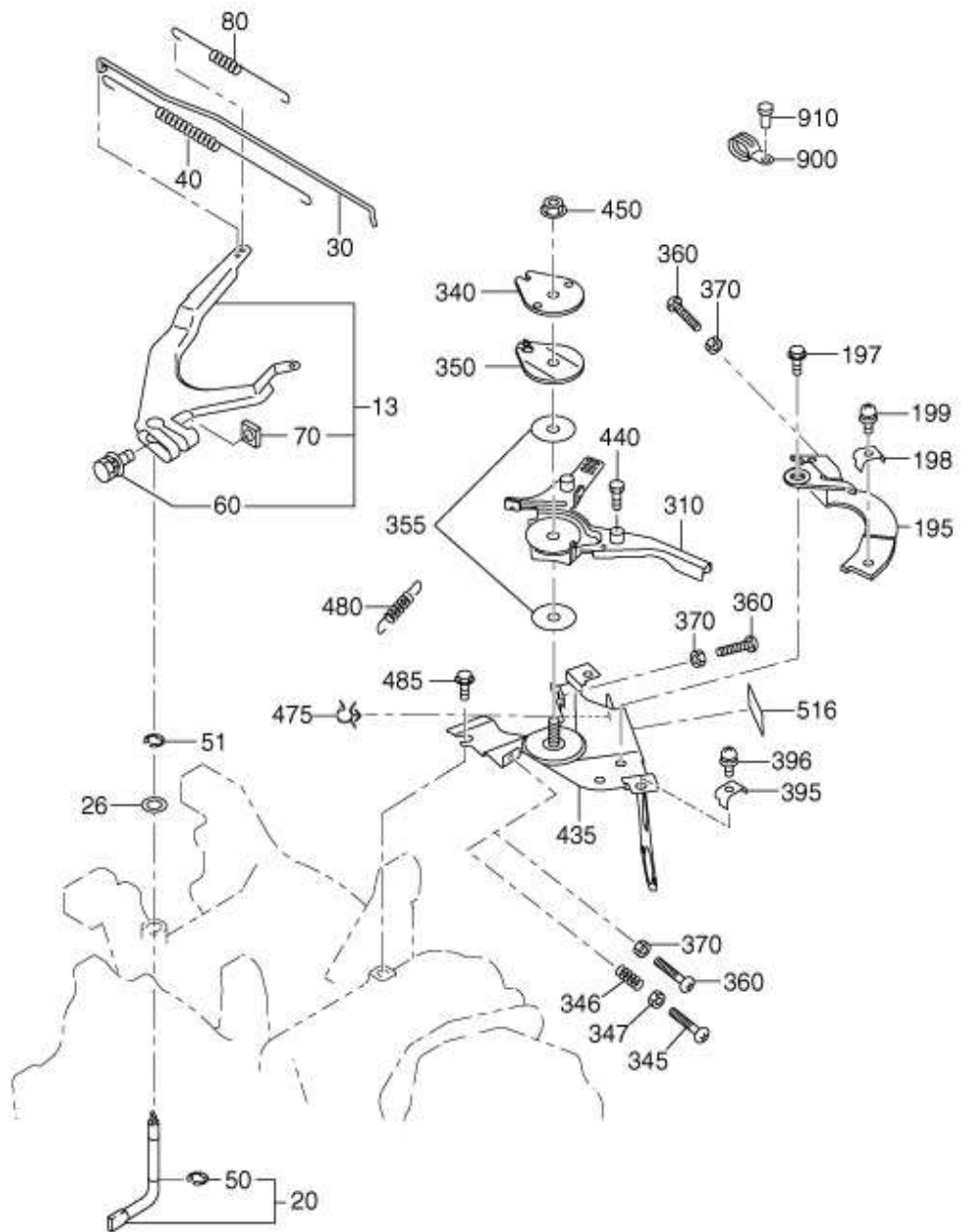
3 INTAKE, EXHAUST GROUP

REF.	PART NUMBER	PART NAME	QTY	REMARK		FIG.
510	20B-32651-J0	AIR CLEANER AY	1	空滤总成	kd	317
	22G-32611-00	AIR CLEANER AY	1	空滤总成		

EX400DZ0040 FIG. 400

4 GOVERNOR OPERATION GROUP

FIG. 400



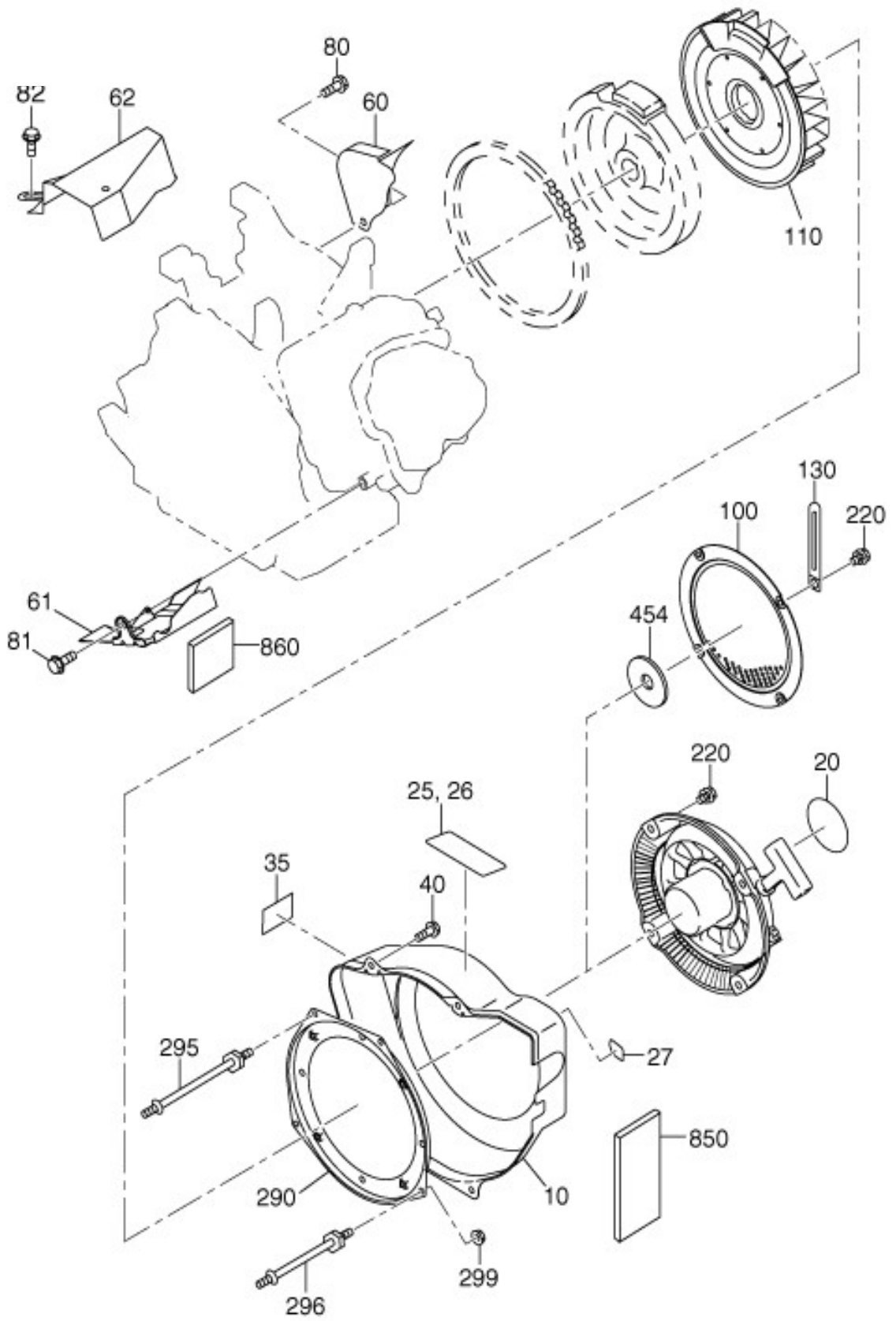
4 GOVERNOR OPERATION GROUP

REF.	PART NUMBER	PART NAME	QTY	UNIT PRICE USD	REMARK	FIG.
13	22G-42301-00	GOVERNOR LEVER AY	1	0,66	摆动杆	400
20	22G-42201-01	GOVERNOR SHAFT CP	1	0,65	调速器推杆	400
26	22G-02101-00	WASHER	1	0,06	垫圈	400
30	22G-42701-03	GOVERNOR ROD	1	0,09	调速拉杆	400
40	22G-42801-03	ROD SPRING	1	0,08	拉杆拉簧	400
50	22G-03203-00	CLIP	1	0,04		400
51	22G-03203-00	CLIP	1	0,04		400
80	22G-42501-03	GOVERNOR SPRING	1	0,18	调速弹簧	400
310-480	22G-46101-00	SPEED CONT AY	1	4		400
485	20A-01111-00	FLANGE BOLT	1	0,03	法兰螺栓	400
516	20A-09841-00	LABEL (HI-LOW)	1	0,02		400

FIG. 500

5 COOLING, STARTING GROUP

FIG. 500



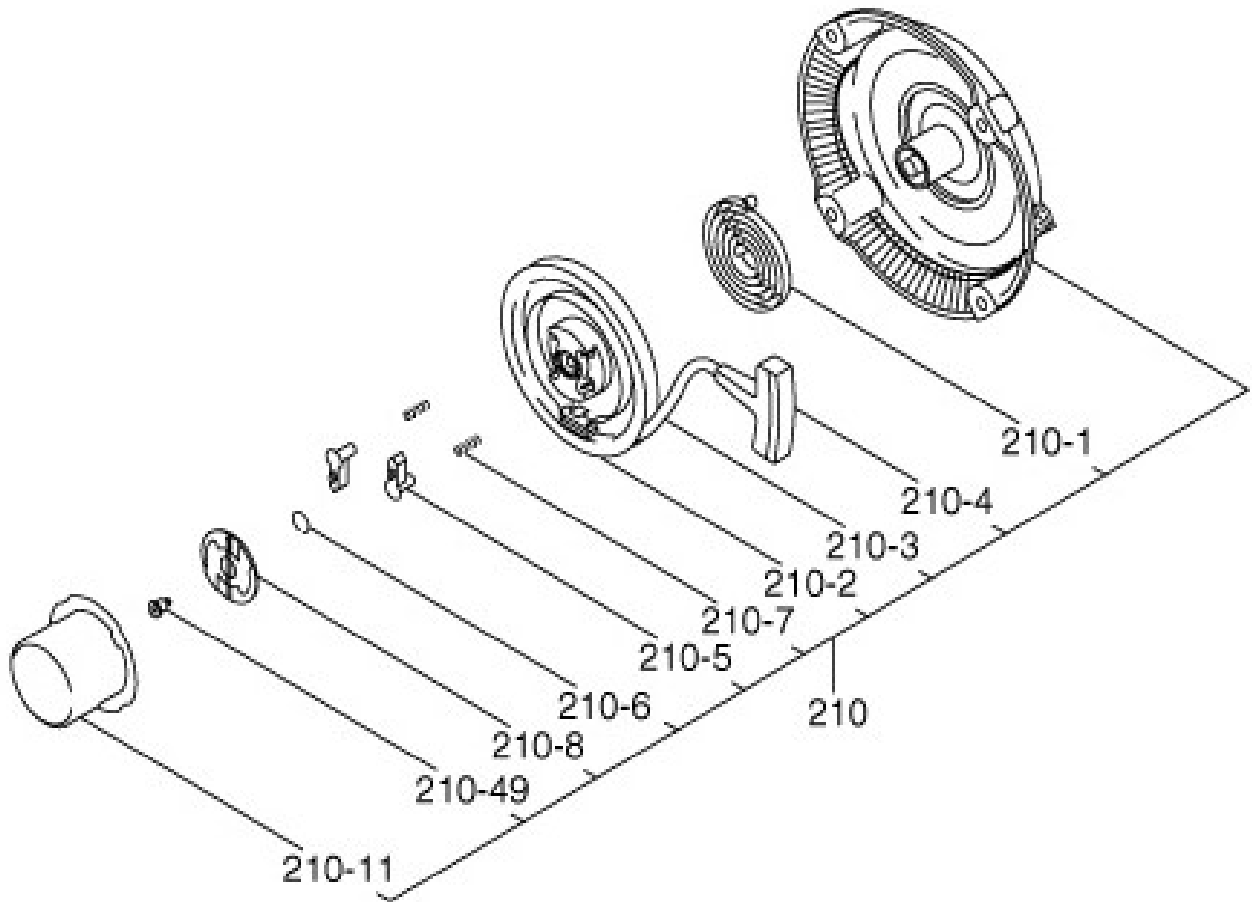
5 COOLING, STARTING GROUP

REF.	PART NUMBER	PART NAME	QTY		REMARK		FIG.
10	22G-51302-01	BLOWER HOUSING CP	1		导风罩		500
10		BLOWER HOUSING CP	1		导风罩	YELLOW	
20			1				500
40	20A-01111-00	FLANGE BOLT	4		法兰螺栓		500
60	22E-52711-01	BAFFLE 1(CASE) CP	1		箱体导风板		500
61	22G-52704-01	BAFFLE 2(HEAD) CP	1		缸头导风板		500
80	22G-01201-00	BOLT	1		螺栓		500
81	20A-01112-00	FLANGE BOLT	2		法兰螺栓		500
110	22G-54101-03	COOLING BLOWER	1		风扇		500
220	22G-01301-00	BOLT AND WASHER AY	4		带垫圈螺栓		500

FIG. 520

5 COOLING, STARTING GROUP

FIG. 520



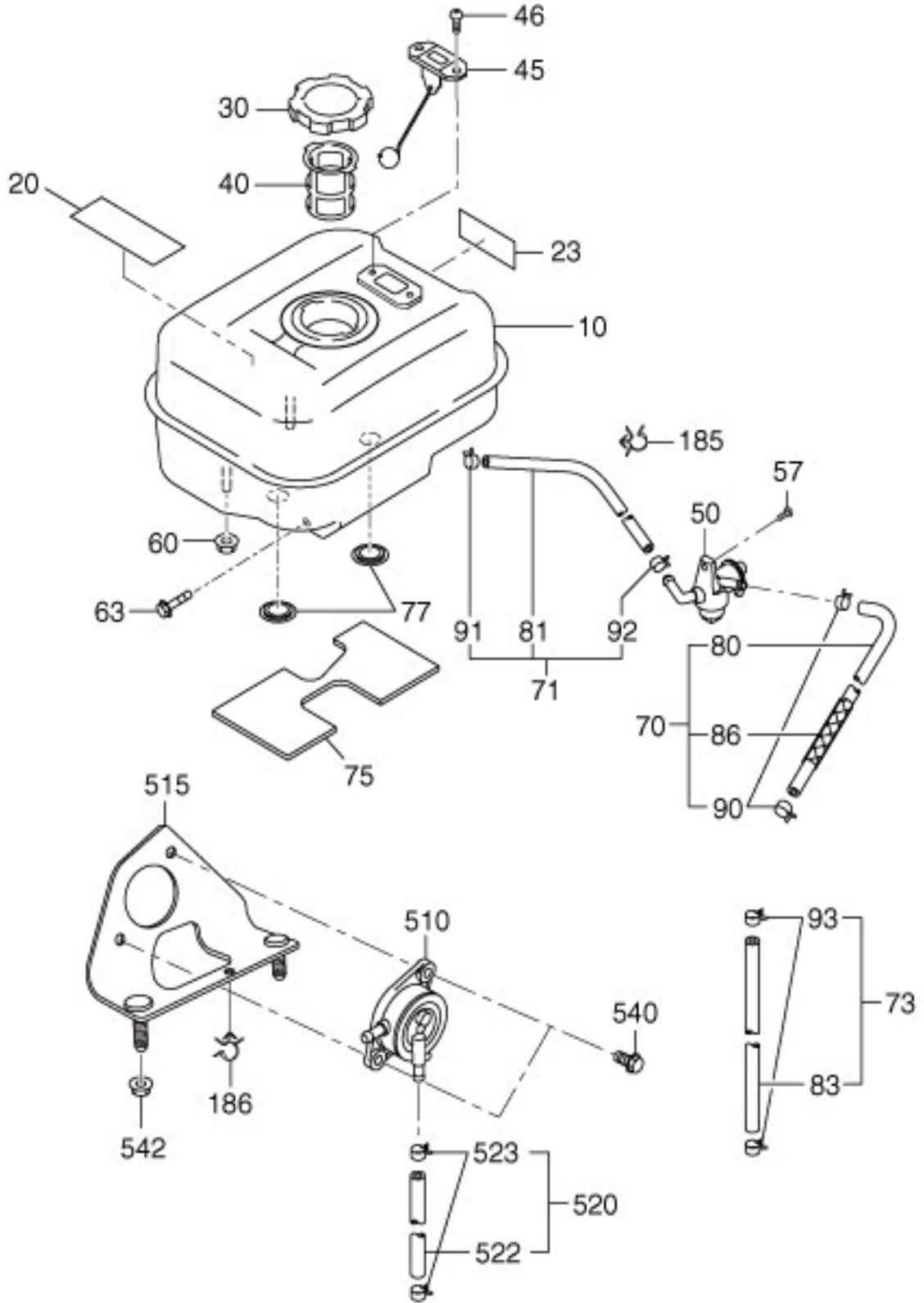
5 COOLING, STARTING GROUP

REF.	PART NUMBER	PART NAME	QTY	REMARK	FIG.
210	22G-50301-00	RECOIL STARTER AY	1	起动机部件	520

FIG. 600

6 FUEL, LUBRICANT GROUP

FIG. 600



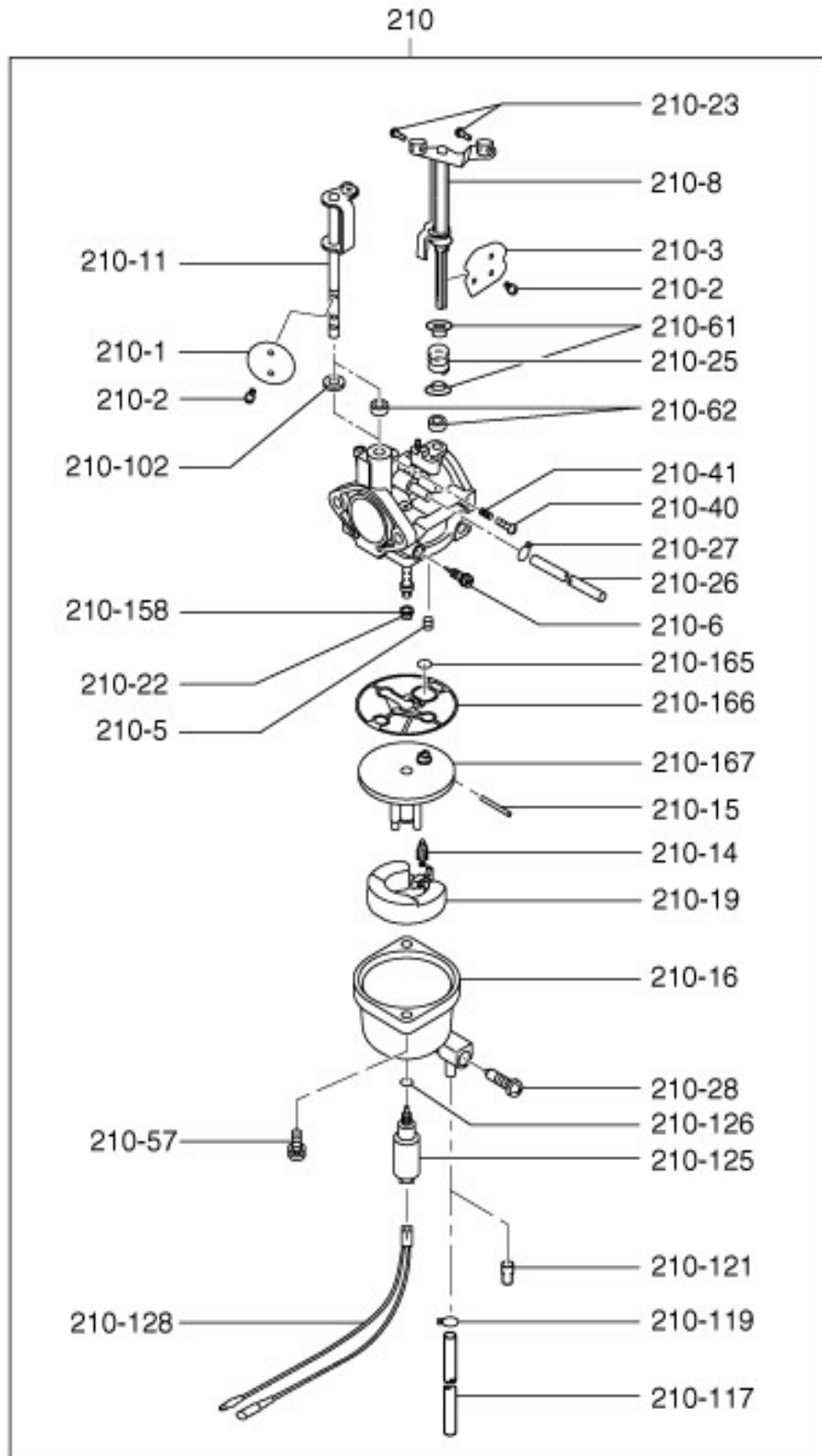
6 FUEL, LUBRICANT GROUP

REF.	PART NUMBER	PART NAME	QTY	UNIT PRICE USD	REMARK	FIG.
10	22G-60102-01	FUEL TANK CP	1	14, 1		600
20	X73-20057-60	LABEL (WARNING)	1	0, 11		600
23	22G-95103-03	LABEL (MODEL)	1	0, 18		600
30	22G-04401-00	FUEL TANK CAP CP	1	1, 32		600
40	20A-06401-00	FUEL FILTER	1	0, 14		600
50	X64-20122-01	FUEL STRAINER AY	1	2, 01		600
57	20A-01112-00	FLANGE BOLT	1	0, 03		600
60	20A-01851-00	FLANGE NUT	2			600
63	20A-01105-00	FLANGE BOLT	2	0, 1		600
71	22G-62604-01	FUEL PIPE CP	1	1, 82		600
81	22G-08102-00	RUBBER PIPE	1	1, 64		600
92	20A-05801-00	HOSE CLAMP	2	0, 09		600
70	22G-62601-01	FUEL PIPE CP	1	0, 58		600
80	22G-08103-00	RUBBER PIPE	1	0, 43		600
90	22G-05802-00	HOSE CLAMP	2	0, 08		600
185	22G-05901-00	CLAMP	1			600

FIG. 640

6 FUEL, LUBRICANT GROUP

FIG. 640



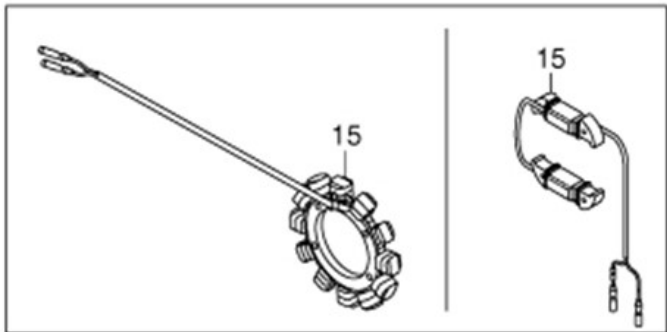
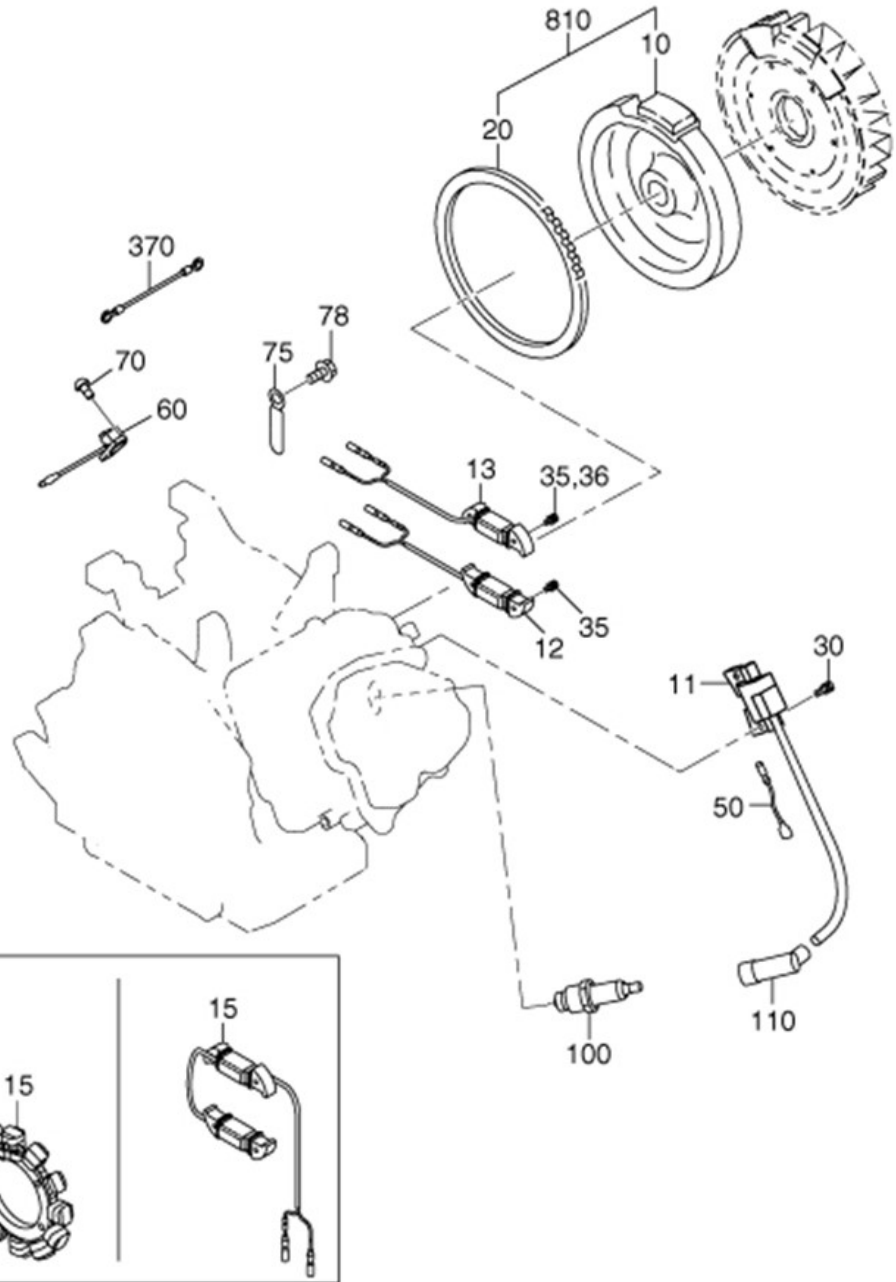
6 FUEL, LUBRICANT GROUP

REF.	PART NUMBER	PART NAME	QTY	UNIT PRICE USD	REMARK	FIG.
210	22G-62301-00	CARBURETOR AY	1	20,6		
210	22G-62320-00	CARBURETOR AY	1			640

FIG. 700

7 ELECTRIC DEVICE GROUP

FIG. 700

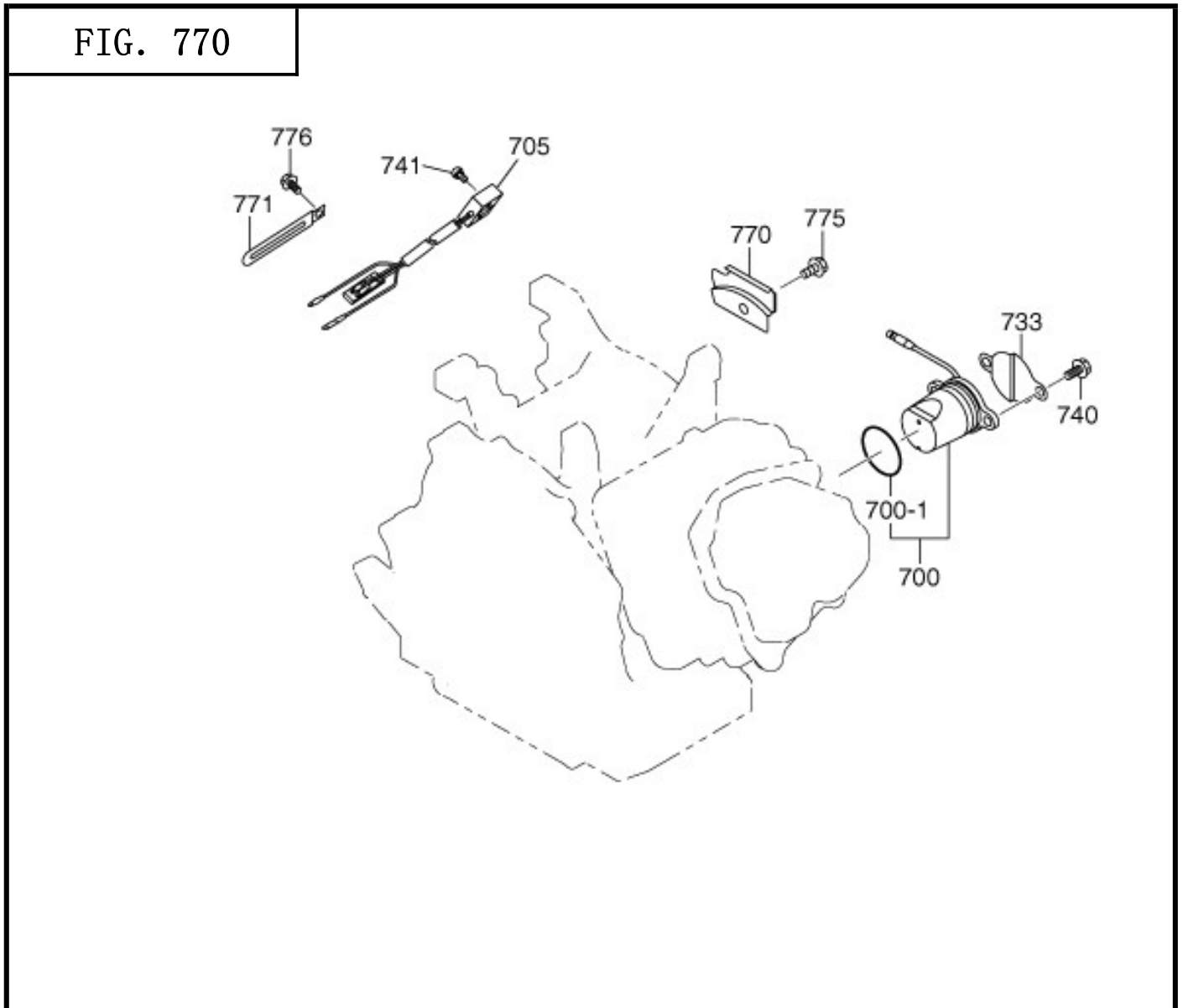


7 ELECTRIC DEVICE GROUP

REF.	PART NUMBER	PART NAME	QTY	UNIT PRICE USD	REMARK	FIG.
10	22G-79230-01	FLYWHEEL CP	1	15, 5		700
11-110	22G-79430-01	IGNITION COIL CP	1	6, 97		700
30	22G-01302-00	BOLT AND WASHER AY	2	0, 08		700
50	22G-73101-01	WIRE 1 CP	1	0, 46		700
70	20A-01403-00	TAPPING SCREW	2	0, 05		700
75	22G-79006-01	CLAMP CP	1	0, 14		700
78	20A-01112-00	FLANGE BOLT	1	0, 03		700
100	20A-06701-00	SPARK PLUG	1	1, 22		700
110	22G-06801-00	SPARK PLUG CAP	1	0, 84		700

FIG. 770

7 ELECTRIC DEVICE GROUP



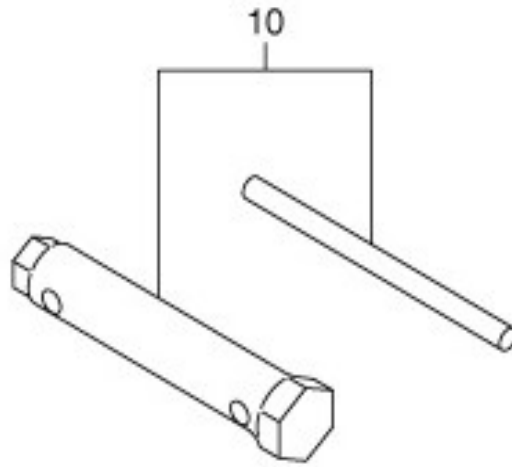
7 ELECTRIC DEVICE GROUP

REF.	PART NUMBER	PART NAME	QTY	UNIT PRICE USD	REMARK	FIG.
700	279-76301-61	OIL SENSOR CP	1			770
-1	277-76350-08	O RING	1	P30		770
705	KU3-11077-01	FLOAT C/U CP11	1			770
733	20A-75801-03	SHIELD PLATE (O/S)	1			770
740	20A-01120-00	FLANGE BOLT	2			770
741	20A-01201-00	TAPPING BOLT	2			770
770	22G-75501-01	WIRE CLAMP CP	1			770
775	20A-01201-00	TAPPING BOLT	1			770

EX400 FIG. 900

9 ACCESSORIES, LABEL

FIG. 900



9 ACCESSORIES LABEL

REF.	PART NUMBER	PART NAME	QTY	UNIT PRICE USD	REMARK	FIG.
10	22G-90301-00	ACCESSORY TOOL KIT	1	1	随机工具	900