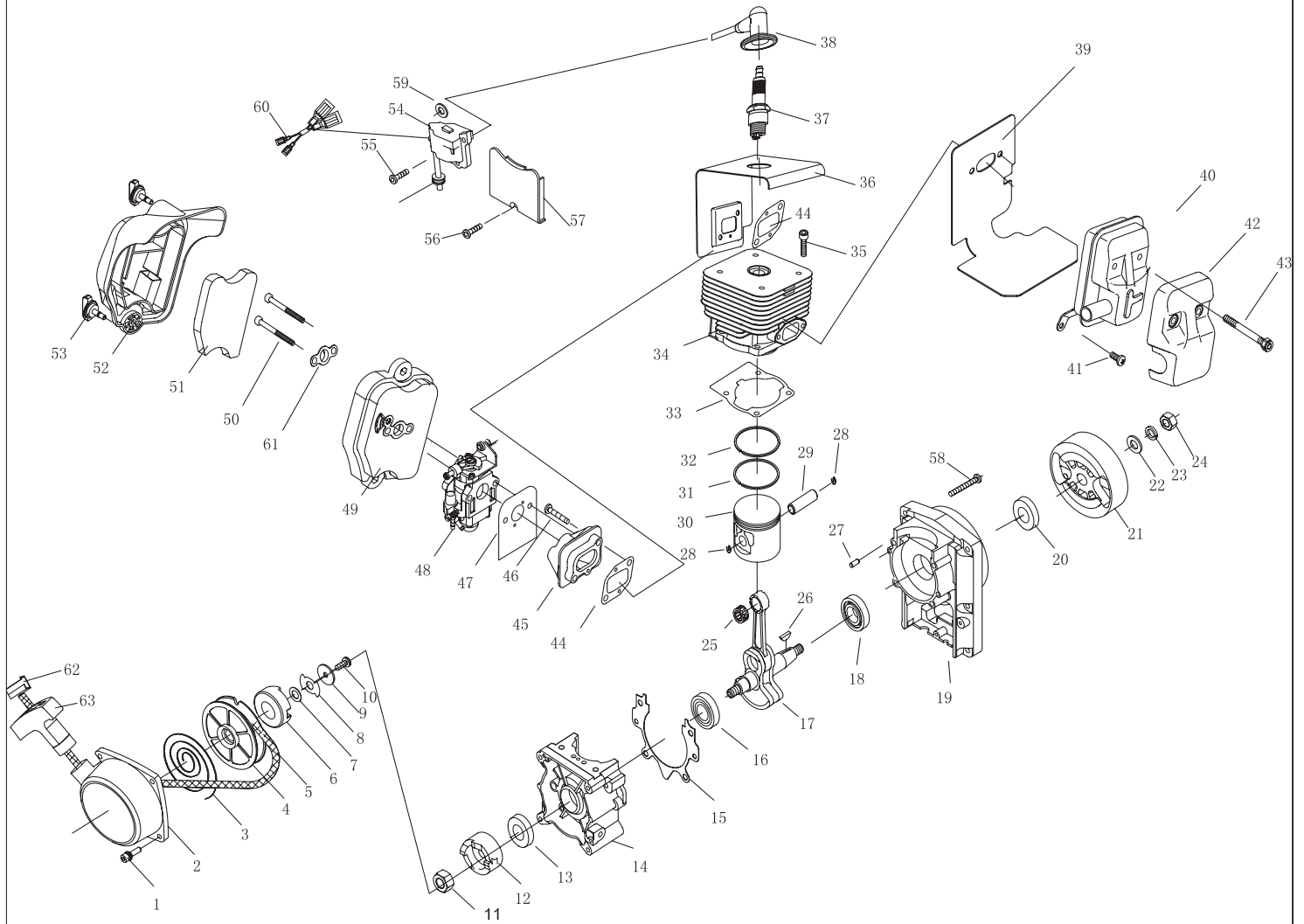


MIST DUSTER 3WF-14B(1)



NO.	Part No.	Part Name	Qty.	NO.	Part No.	Part Name	Qty.	NO.	Part No.	Part Name	Qty.
1	GB/T70.1+GB93+GB97	SCREW M5X18	4	23	GB93 8	WASHER	1	45	1E44F-E-PBJ.7	Admitting Pipe	1
2	1E40FP-3Z.4-1	CASE	1	24	GB6170 M8	NUT	1	46	GB70.1 5*25	Screw	2
3	1E40FP-3Z.4-7	SPRING	1	25	1E44F-2A.2-3	Bearing	1	47	EB-500-E.1-5	Gasket	1
4	1E40FP-3Z.4-6	PULLEY	1	26	GB1099	Key 3x5x13	1	48	1E48FP-E.4	Carburetor	1
5	1E40FP-3Z.4-9	ROPE	1	27	GB119	销 4h8×10	1	49	EB-500-E.1.6.1	Cleaner inside cover	1
6	1E40FP-3Z.4-8	START WHEEL	1	28	P40.6-4	Ring	2	50	GB70.1+GB93+GB97	Screw M5×55	2
7	GB860 8	WASHER	1	29	1E44F-2A.2-2	Piston Pin	1	51	EB-500-E.1.6-3	Filter Net	1
8	1E40FP-3Z.4-5	GUIDE SLICE	1	30	1E44F-E.3-1	Piston	1	52	EB-500-E.1.6-1	Cleaner Outside Cover	1
9	1E40FP-3Z.4-4	WASHER	1	31	1E44F-2A.2-4	Piston Ring	1	53	1E34F.1.2	Screw	2
10	GB67 M5X12	SCREW	1	32	1E44F-2A.2-4	Piston Ring	1	54	1E46FP.1.1	IGNITION COIL COMP	1
11	GB6170 M8	NUT	1	33	1E40F-5-6	Gasket	1	55	GB/T9074.13 M4X20	BOLT	2
12	3WF-960.1-2	RATCHET	1	34	EB-500-E.1-2	Cylinder	1	56	GB/T9074.4 M5X20	BOLT	1
13	1E36F.2	Oil-seal	2	35	GB70.1	Screw M5X20	4	57	1E46FP-2	SHIELD	1
14	1E40F-E.6-2	Crank Case	1	36	EB-500-E.1-1	Mantle	1	58	GB70.1	Screw M5×30	4
15	1E40F-5.8-4	Gasket	1	37	RCJ6Y	Spark Plug	1	59	P40-5	Washer	2
16	GB/T276	Bearing 6202/P6	1	38	1E46FP.1-1	Plug Cap Ass.	1	60	EB-500-E.1-6	Parking	1
17	EB-500-E.1.2.1	Crank Shaft	1	39	EB-500-E.1-4	Gasket	1	61	P40.1-3	Baffle	1
18	GB/T276	Bearing 6202/P6	1	40	EB-500-E.1.1	Muffler	1	62	1E40FP-3Z.4-10	COVER	1
19	EB-500-E.1.3-1	Crank Case	1	41	GB/T70.1+GB93+GB97	Screw M5×12	1	63	1E40FP-3Z.4-3	COVER	1
20	1E40F-5.9	Oil-seal	1	42	EB-500-E.1-3	Muffler Shield	2	64	1E40FP-3Z.4-2	HANDLE	1
21	1E46FP.1.1	Fly Wheel	1	43	GB70.1+GB97	Screw M6×60-12.9	2				
22	GB96 8	WASHER	1	44	1E40F-5-2	Gasket	2				

