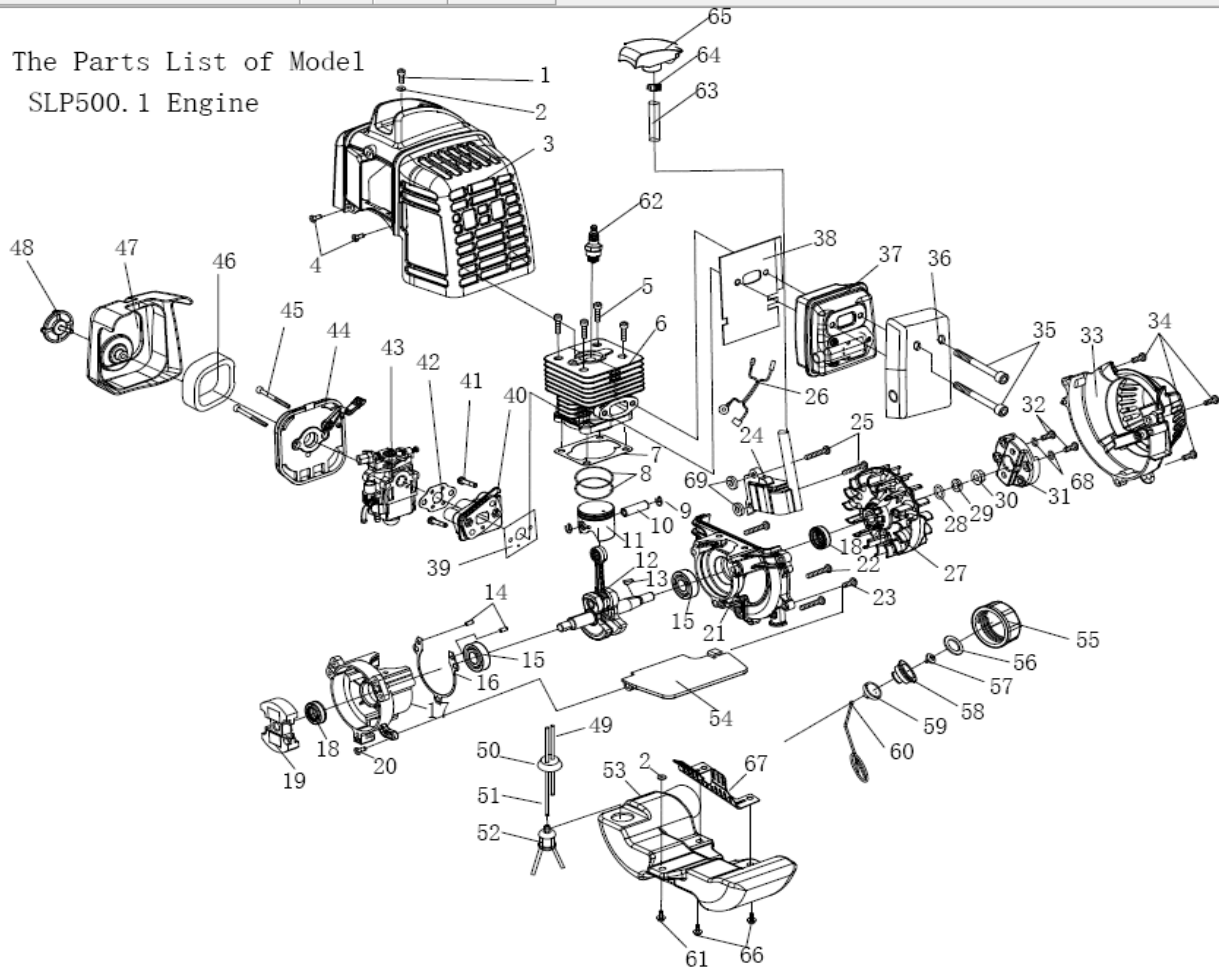
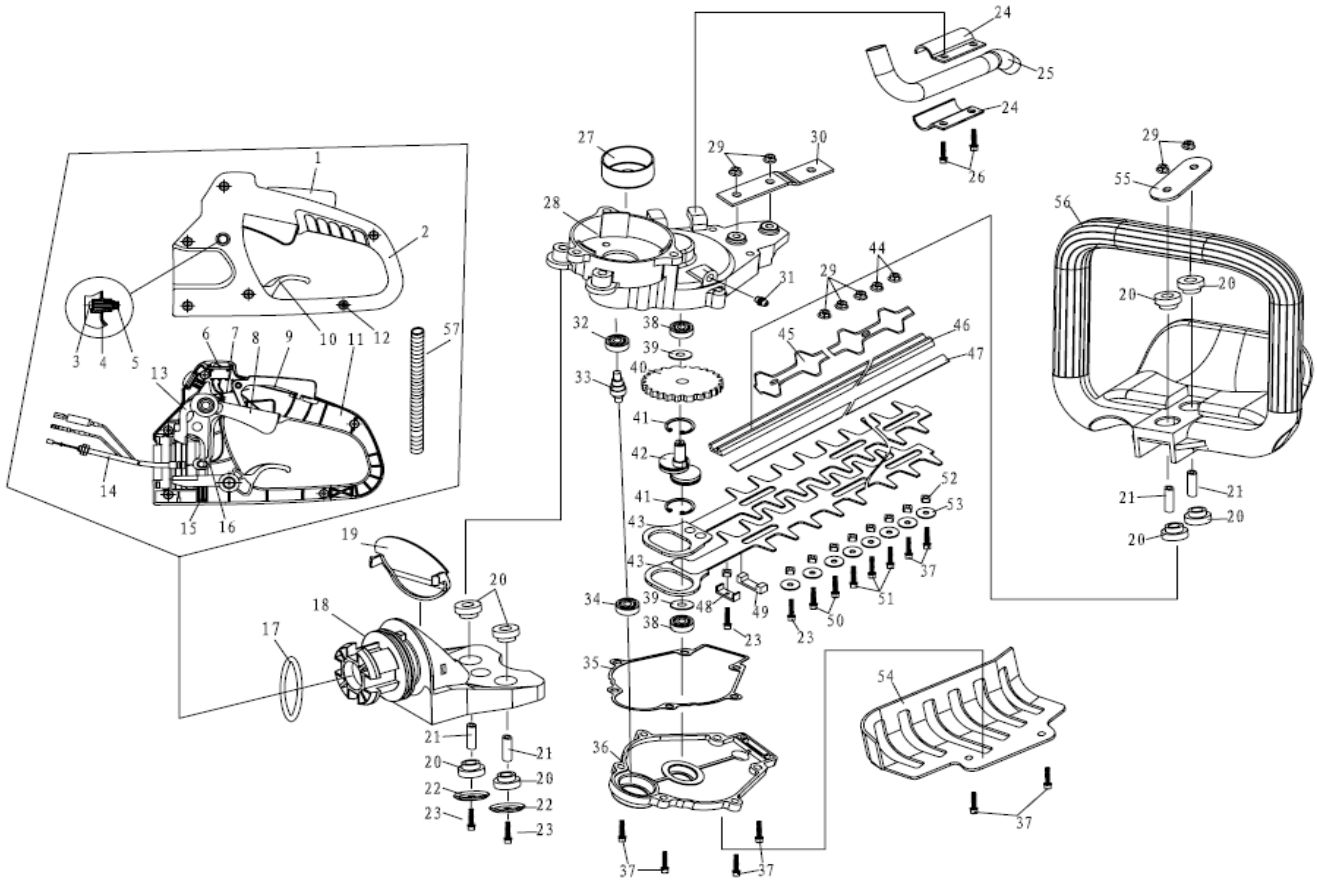


The Parts List of Model
SLP500.1 Engine



SN.	PART NO.	DESCRIPTION	QTY
1	GB70.1+GB93+GB97.1	SCREW M5x18	1
2	1E33F-4	GASKET	4
3	SLP500.1.6(PT 021C)	CYLINDER COVER	1
4	GB70.1+GB93+GB97	SCREW M5x12	2
5	GB70 5x16	SCREW	4
6	P23-1	CYLINDER	1
7	P23-2	GASKET	1
8	P23.6-2	PISTON RING	2
9	1E34F.6-2	PISTON PIN CIRCLIP	2
10	1E31F.4-2	PISTON PIN	1
11	P23.6A-1	PISTON	1
12	SLP500.1.3B.1	CRANK SHAFT	1
12	KBK081211.5 -2-4	BEARING	1
13	1E40FP-3Z.3-1	KEY	1
14	GB119 B4x8	PIN	2
15	GB276 6001/P6	BEARING	2
16	P23.11-3	GASKET	1
17	SLP500.1.2-1	FRONT CRANK CASE	1
18	1E36F.2(11.7x22x7)	OIL SEAL	2
19	7DS260-28.1.8(4300-5000)r/min	CLUTCH	1
20	GB70.1+GB93+GB97	SCREW M5x12	1
21	P23.11-1	REAR CRANK CASE	1
22	GB70 5x20	SCREW	3
23	GB70.1+GB93+GB97	SCREW M5x12	1
24/27/63/64/65	SLP500.1.4.1SZ	COIL + FLY WHEEL	1
25	GB70.1+GB93+GB97	SCREW M4x20	2
26	1E36F-2C.6.1A	WIRE	1
28	GB97 φ8	WASHER	1

SN.	PART NO.	DESCRIPTION	QTY
29	GB859 φ8	WASHER	1
30	GB6170 M8	NUT	1
31	SLP500.1.9	START REEL	1
32	GB70 6x14 锌	SCREW	2
33	SLP500.1.5	STARTER ASSY	1
34	GB70 5x20	SCREW M5X20	3
35	GB70.1+GB97	SCREW M5x55-12.9	2
36	HP23-5A	MUFFLER COVER	1
37	1E34F-2E.2	MUFFLER	1
38	SLP500.1-1A	MUFFLER GASKET	1
39	1E34F-2	GASKET	1
40	1E34F-E.8	ADMITTING PIPE	1
41	GB70.1+GB93+GB97	SCREW M5x30	2
42	1E34F-1	GASKET	1
43	SLP500.1.1A-FSH	CARBURETOR	1
44	SLP500.1.8.1	INSIDE COVER	1
45	GB70.1+GB97	SCREW M5x55	2
46	1E34F.1-1	FILTER CORE	1
47	SLP500.1.8-1	OUTSIDE COVER	1
48	1E34FG.1.1	SCREW	1
49/50/51/52/53/55/ 56/57/58/59/60	SLP500.1.7A(PT021C)	FUEL TANK	1
54	HP23-2(RAL9005)	GASKET	1
61	GB70.1+GB93+GB96	SCREW M5x16	1
62	CMR6A	SPARK PLUG	1
66	GB70.1+GB93+GB96	SCREW M5x20	2
67	SLP500.1-2	BRACKET	1
68	GB848 φ6 锌	WASHER	2
69	P40-5	GASKET	2



SN.	PART NO.	DESCRIPTION	QTY
1	SLP600-E.1-8	Self-locking handle	1
2	SLP600-E.1-1	left handle	1
3	GB/T6560 M4x25	Self-tapping screws	1
4	SLP600-E.1-3	compressed spring	1
5	SLP600-E.1-2	self-locking button	1
6	SLP500.2.2	Park switch combination	1
7	SLP600-E.1-7	control torsion spring	1
8	SLP600-E.1-5	joystick	1
9	SLP600-E.1-9	Self-locking torsion spring	1
10	SLP600-E.1-10	Rotary handle	1
11	SLP600-E.1-4	right handle	1
12	GB845 ST4.2x16	Cross recessed pan head tapping screws	6
13	SLP600-E.1-6	Throttle assist handle	1
14	SLP500.4-2	throttle rope	1
15	SLP600-E.1-11	Rotary torsion spring	1
16	SLP600-E.1-12	Parking line circlip	1
17	JB/T7757.2 48.7x3.1	SEAL	1
18	SLP500.4-1	FRAME	1
19	SLP600-E.1-17	COVER	1
20	SL750S.1-9	RUBBER PLUG	4
21	SL750S.1-10A	PIN	2
22	SL750S.1-11	WASHER	2
23	GB70.1+GB93+GB97	SCREW M5X35	2
24	SLP500-5	Securing clip	2
25	SLP500-4	EXHAUST PIPE	1
26	GB70.1 M5x12	SCREW	2
27	SLP500.2-13	CLUTCH DRUM COMP	1
28	SLP500.2-1	WHEEL BOX	1
29	GB6183.1 M5	NUT	2
30	SLP500-3	GASKET	1

SN.	PART NO.	DESCRIPTION	QTY	
31	GB1152 M6	FEUL CUP	1	
32	GB276 6001-2RS/P5	BERING	1	
33	SLP500.2-4A	GEAR SHAFT	1	
34	GB276 628/P6	BEARING	1	
35	SLP500.2-3	GASKET	1	
36	SLP500.2-2	CASE COVER	1	
37	GB70+GB93+GB97	SCREW M5x20 Zinc	9	
38	GB276 626-2RS/P6	BEARING	2	
39	SLP500.2-7	WASHER	2	
40	SLP500.2-5A	GEAR	1	
41	GB894.1 φ28	STOP RING	2	
42	SLP500.2-6	CAM SHAFT	1	
43	SLP500M.2.1	BLADE RIVETING	2	
44	GB889.1 M5	NUT	3	
45	SLP500.2-9	BLADE GUARD	1	
46	SLP500M.2-2	FRAME	1	
47	SLP500M.2-3	Bracket spacer	1	
48	SLP500.2-8A	BRACKKEY	1	
49	SLP500.2-15A	FELT	1	
50	GB70.1+GB93+GB97	SCREW M5x50	2	
51	GB70.1+GB93+GB97	SCREW M5x25	3	
52	SLP500.2-14	BLOCKER	9	
53	GJ330.2-6	WASHER	9	
54	SLP500.3	COVER	1	
55	SLP500-2	CUSHION	1	
56	SLP500-1	FRONT HANDLE After March 2017	1	
57	φ12.5×φ9×0.2/BG328A-2	TUBE	0,12	
58	Fasten the transmission case to the gasoline engine	GB70.1+GB93+GB97	SCREW M5x16	3
60	GJ330.2-8A	BLOCK	1	