

Fig 1. Pressure pump Parts

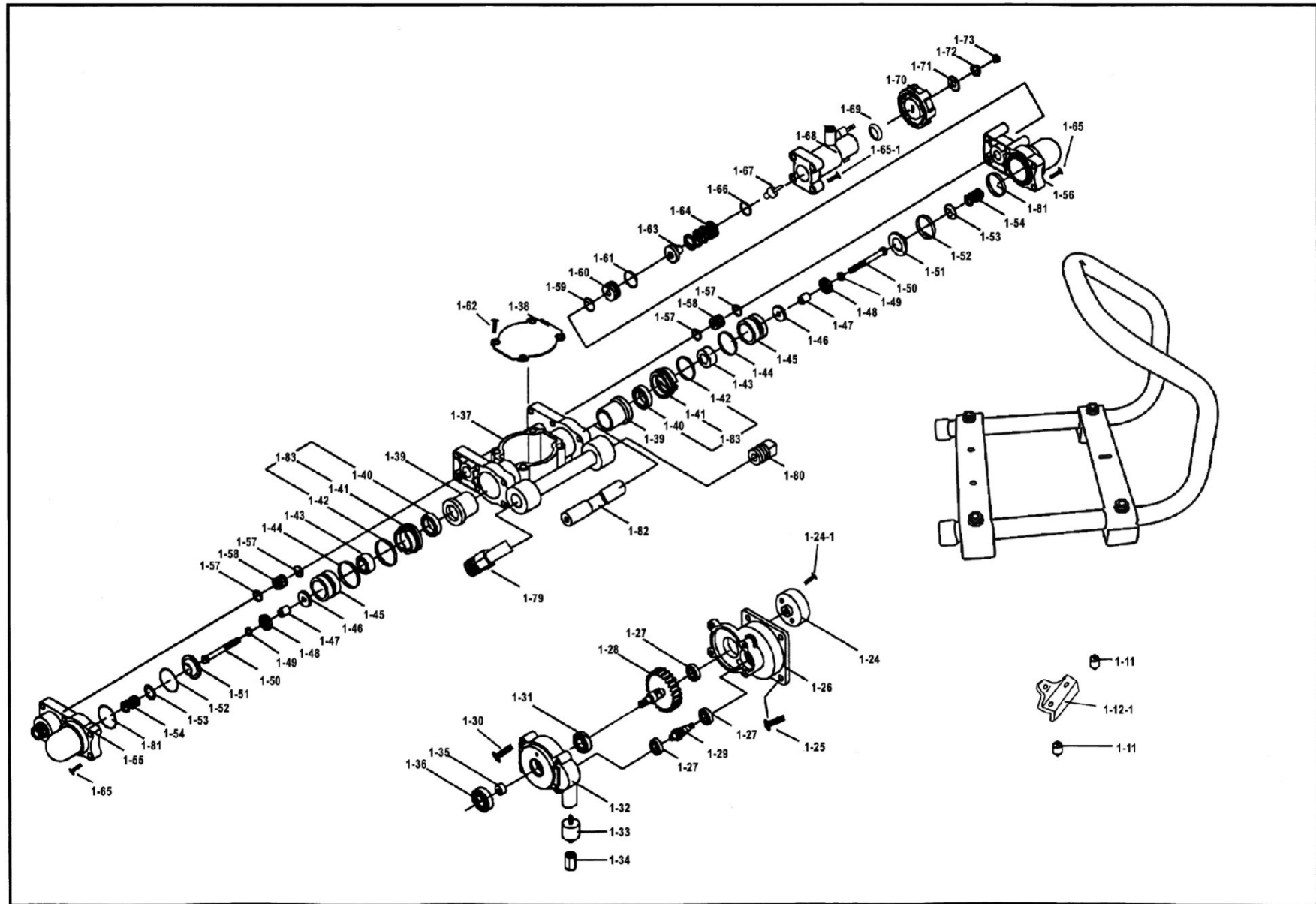


Fig 1 . Pressure Pump Parts

ITEM	PARTS NAME	QTY	ITEM	PARTS NAME	QTY	
1-11	Shake-Proof Plug 6mm	3	1-53	Stopper	2	
1-12-1	Fixing Bracket	1	1-54	Spring Valve	2	
1-24	IØ54 Clutch Drive	1	1-55	Discharge Metal	1	
1-24-1	M6x25 Crossing Bolt Assy	2	1-56	Overflow Metal	1	
1-25	M6x15 Hex Bolt Assy	4	1-57	O-Ring 8x1.8	4	
1-26	Gear Box	1	1-58	Joint	2	
1-27	Bearing 6000	3	1-59	O-Ring 16x3	1	
1-28	Gear	1	1-60	Seat,Overflow Valve	1	
1-29	Shaft Of Smaller Gear	1	1-61	O-Ring 18x2.5	1	
1-30	M6x20 Hex Bolt Assy	2	1-62	M6x50 Hex Bolt Assy	4	
1-31	Bearing(6001)	1	1-63	Under Metal	1	
1-32	Gear Box Cover	1	1-64	Spring	1	
1-33	Shake-Proof Plug 6mm	1	1-65	M5x33 Crossing Bolt	8	
1-34	Pump Bracket	1	1-65-1	M5x60 Crossing Bolt	4	
1-35	Shaft,,Eccentric	1	1-66	O-Ring 13x1.9	1	
1-36	Bearing(6004)	1	1-67	Regulating Screw	1	
1-37	Cylinder	1	1-68	Overflow Body	1	
1-38	Cover Dust	1	1-69	Fiy Nut	2	
1-39	Bush Plunger	2	1-70	Adjusting Pan	1	
1-40	Water Seal	2	1-71	Ø8 Washer	1	
1-41	seat ,Water Seal	2	1-72	M8 Spring, Washer	1	
1-42	O-Ring 28x2	2	1-73	M8 Nut	1	
1-43	Water Seal	2	1-79	Joint, suction	1	
1-44	O-Ring 26x1.8	2	1-80	Plug Hole	1	
1-45	Cylinder Bushing	2	1-81	O-Ring 30x2.65	2	
1-46	Water Seal Box	2	1-82	Plunger	1	
1-47	Tube,Screw Bush	2	1-83	Water Seal Seat Assy	2	
1-48	Water Seal Box	2				
1-49	Washer	2				
1-50	M5x30 Screw	2				
1-51	Valve seat	2				
1-52	O-Ring 26x1.8	2				

Fig 2. Engine Parts

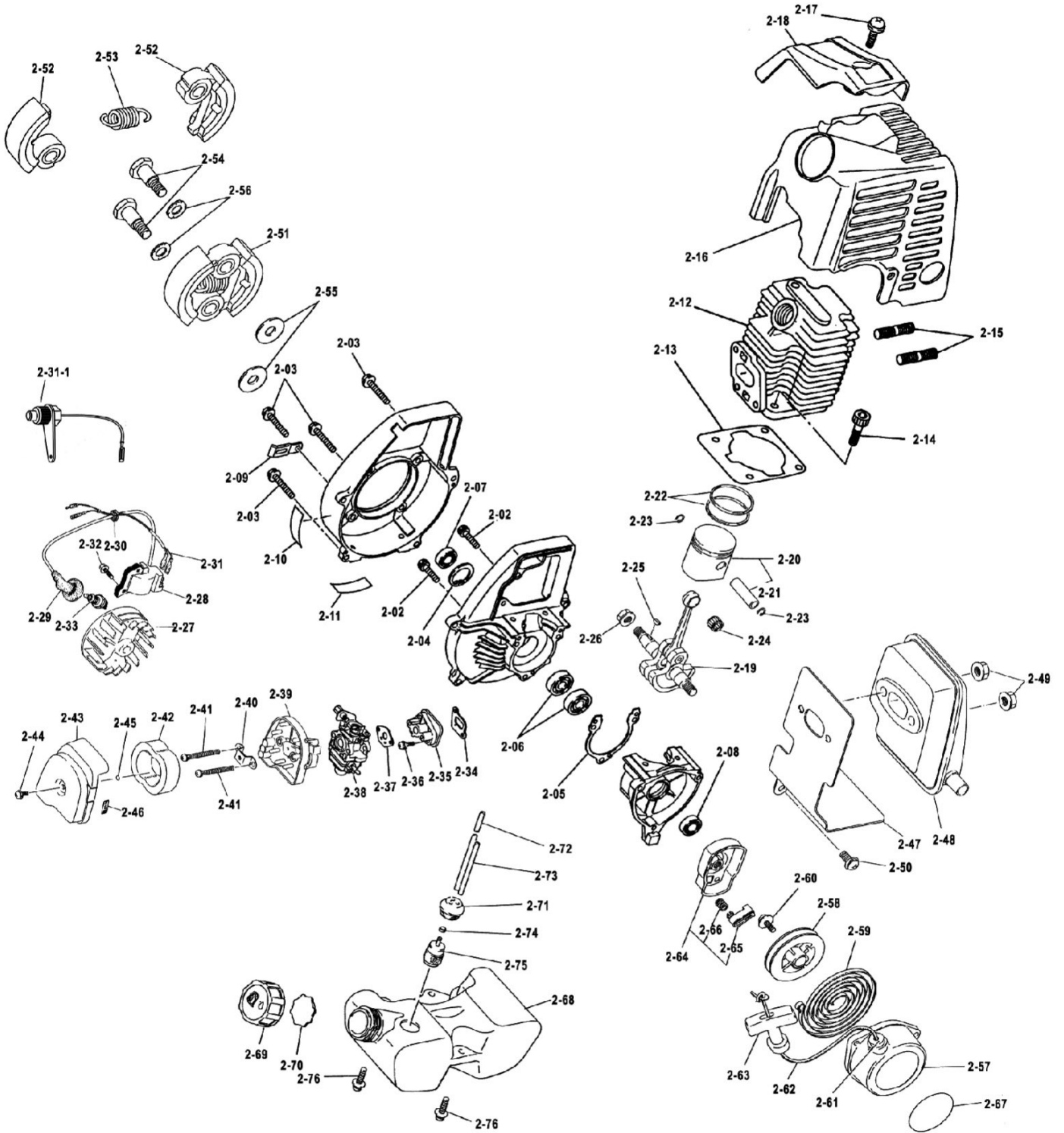


Fig 2. Engine Parts

ITEM	PARTS NAME	QTY	ITEM	PARTS NAME	QTY	ITEM	PARTS NAME	QTY
2-01	CRANK CASE ASSY	1	2-31-1	STOP SWITCH	1	2-62	ROPE, STARTER	1
2-02	SCREW&WASHER	3	2-32	BOLT&WASHER	2	2-63	KNOB, STARTER	1
2-03	BOLT&WASHER	4	2-33	PLUG, SPARK	1	2-64	PULLEY, STARTER	1
2-04	SNAP RING	1	2-34	GASKET, INSULATOR	1	2-65	RATCHET	1
2-05	GASKET, CRANKCASE	1	2-35	INSULATOR	1	2-66	SPRING, RETURN	1
2-06	BEARING, BALL	1	2-36	SCREW&WASHER	2	2-67	LABEL, NAME	1
2-07	OIL SEAL	2	2-37	GASKET, CARBURETOR	1	2-68	FUEL TANK	1
2-08	OIL SEAL	1	2-38	CARBURETOR (D)	1	2-69	CAP, FUEL TANK	1
2-09	CLAMP	1	2-39	CASE, CLEANER	1	2-70	PACKING	1
2-10	LABEL	1	2-40	BRACKET	1	2-71	SEAL WASHER	1
2-11	LABEL	1	2-41	SCREW&WASHER	2	2-72	LONG OIL PIPE	1
2-12	CYLINDER	1	2-42	ELEMENT, CLEANER	1	2-73	SHORT OIL PIPE	
2-13	GASKET, CYLINDER	1	2-43	COVER, CLEANER	1	2-74	CLIP	1
2-14	BOLT, SCH	4	2-44	SCREW&WASHER	1	2-75	FILTER	1
2-15	BOLT, STUD	2	2-45	O-RING	1	2-76	SCREW & WASHER	2
2-16	COVER, TOP	1	2-46	LABEL, NAME	1			
2-177	SCREW&WASHER	1	2-47	GASKET, MUFFLER	1			
2-18	COVER	1	2-48	MUFFLER	1			
2-19	CRANK SHAFT ASSY	1	2-49	NUT, FLANGE	2			
2-20	PISTON SET	1	2-50	SCREW&WASHER	1			
2-21	PIN, PISTON	1	2-51	CLUTCH	1			
2-22	RING, TOP	2	2-52	SHOE, CLUTCH	2			
2-23	CLIP, PISTON PIN	2	2-53	SPRING	1			
2-24	BEARING, NEEDLE	1	2-54	BOLT, CLUTCH	2			
2-25	KEY, WOODRUFF	1	2-55	WASHER	2			
2-26	NUT, CONICAL SPG	1	2-56	WASHER	2			
2-27	ROTOR	1	2-57	CASE, STARTER	1			
2-28	COIL, IGNITION	1	2-58	REEL	1			
2-29	CAP, PLUG	1	2-59	SPRING	1			
2-30	GROMMET	1	2-60	SCREW	1			
2-31	STOP WIRE	1	2-61	GUIDE	1			