



PARTS CATALOGUE

LC1P88F-1

LC1P90F-1

LC1P92F-1



Version number:LC/LT-2016-A

LONCIN MOTOR CO.,LTD.

(Instruction for use of parts catalogue)

This parts catalogue was prepared based on the latest information available as of January 201 6.

See the parts catalogue news for any revision that is made after January 201 6.

Always specify the part number when ordering a part.

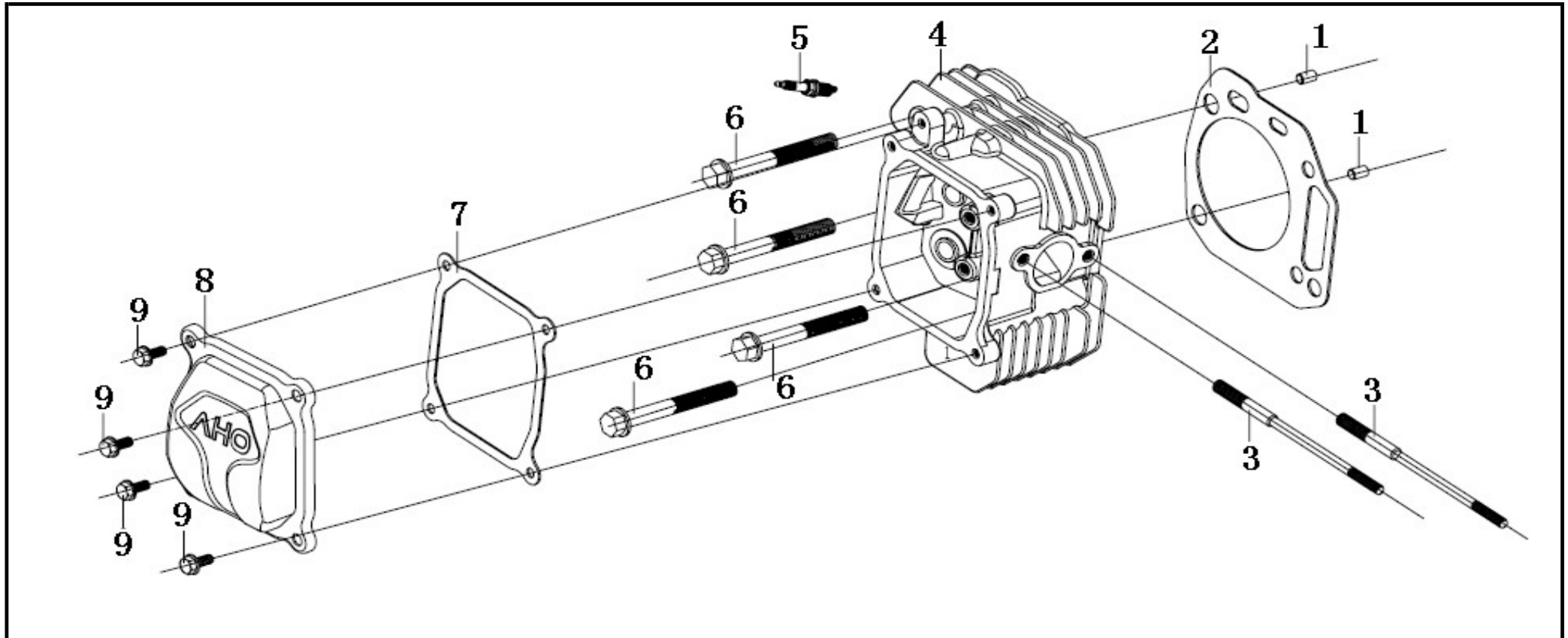
Note that the illustrations can differ from the actual parts in shape.

When modifications or additions to this parts catalogue are made , a revised edition will be issued at an appropriate time, We recommend obtaining such revisions in order to keep your parts catalogue up-to-date at all times. To check whether a parts catalogue revision has been issued, please contact your LONCIN distributor.

示例 (Example)

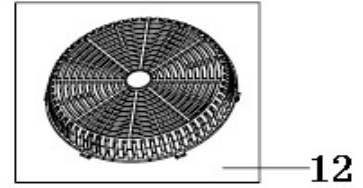
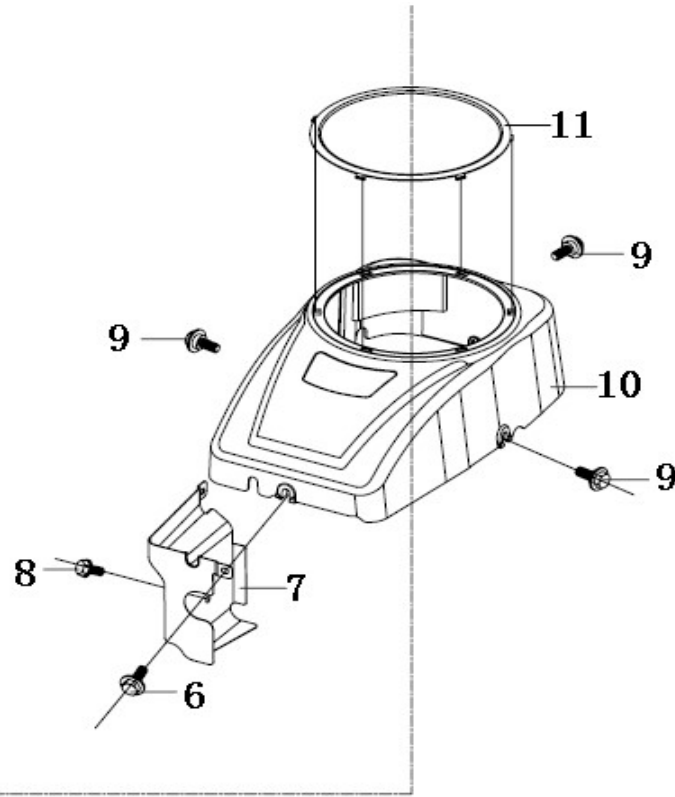
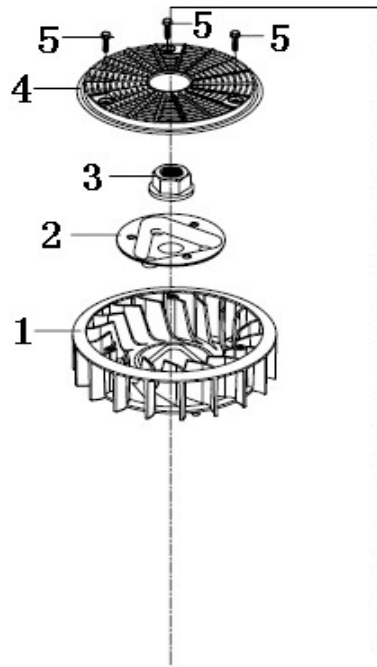
No.	Part No.	Description	(Reqd. QTY)		
			1P88F-1	1P90F-1	1P92F-1
3	130030179-0001	Piston	1	-	-
	130030165-0001	Piston	-	1	-
	130030192-0001	Piston	-	-	1

1 means 1P88F-1 require 1 QTY 130030179-0001, 1P90F-1 require 1 QTY 130030165-0001, 1P92F-1 require 1 QTY 130030192-0001]



气缸头 (Gear Box Assy)

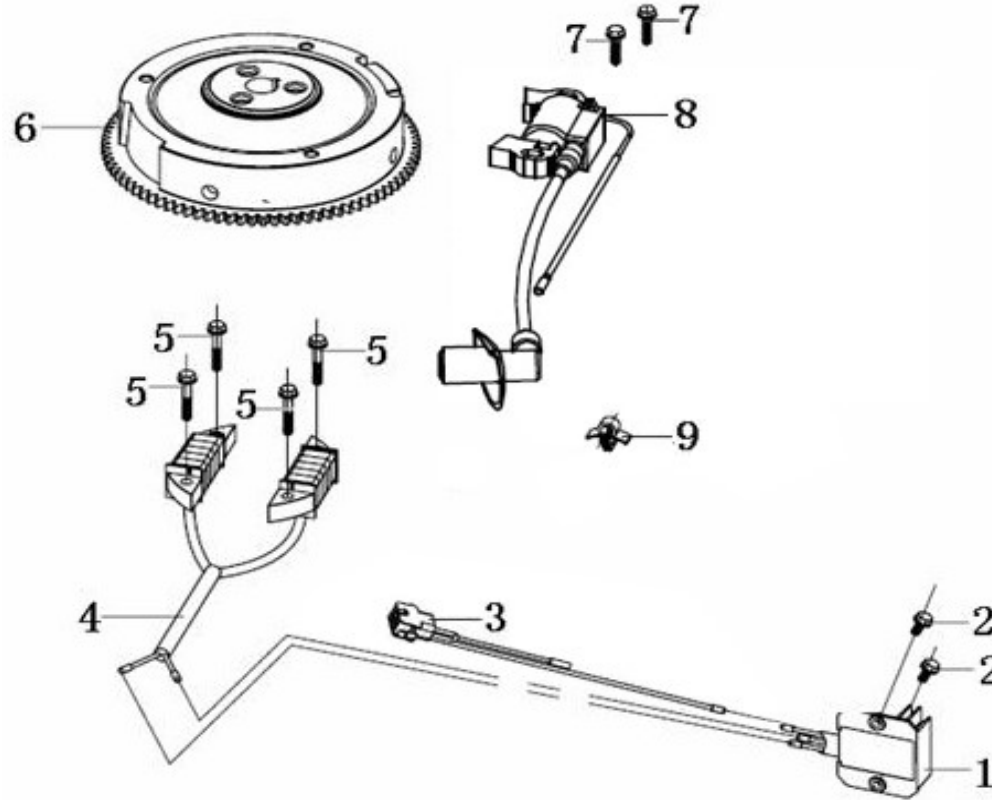
序号 No.	零部件图号 Part No.	零部件名称	Description	数量 (Reqd. QTY)		
				1P88F-1	1P90F-1	1P92F-1
1	380600116-T110	定位销	Pin,Dowel	2	2	2
2	120150164-T372	气缸头密封垫	Gasket,Cylinder	1	1	—
	120150146-T380	气缸头密封垫	Gasket,Cylinder	—	—	1
3	380180088-T370	双头螺栓	Bolt,Stud	2	2	2
4	120080436-T381	气缸头	Head Comp.,Cylinder	1	1	1
5	270960028-0001	火花塞	Spark Plug RC12YC	1	1	1
6	380140335-T370	六角头法兰面螺栓	Bolt,Cylinder Head	4	4	4
7	120250028-T381	气缸头盖密封垫	Packing,Head Cover	1	1	1
8	120220032-T381	气缸头盖组合	Cover Comp.,Head,Left	1	1	1
9	380020070-T370	六角头轴肩螺栓	Bolt,Hexagonal 6×16.5-8×3.5	4	4	4



零件12可以代替零件4和11，客户可以根据需求选择。

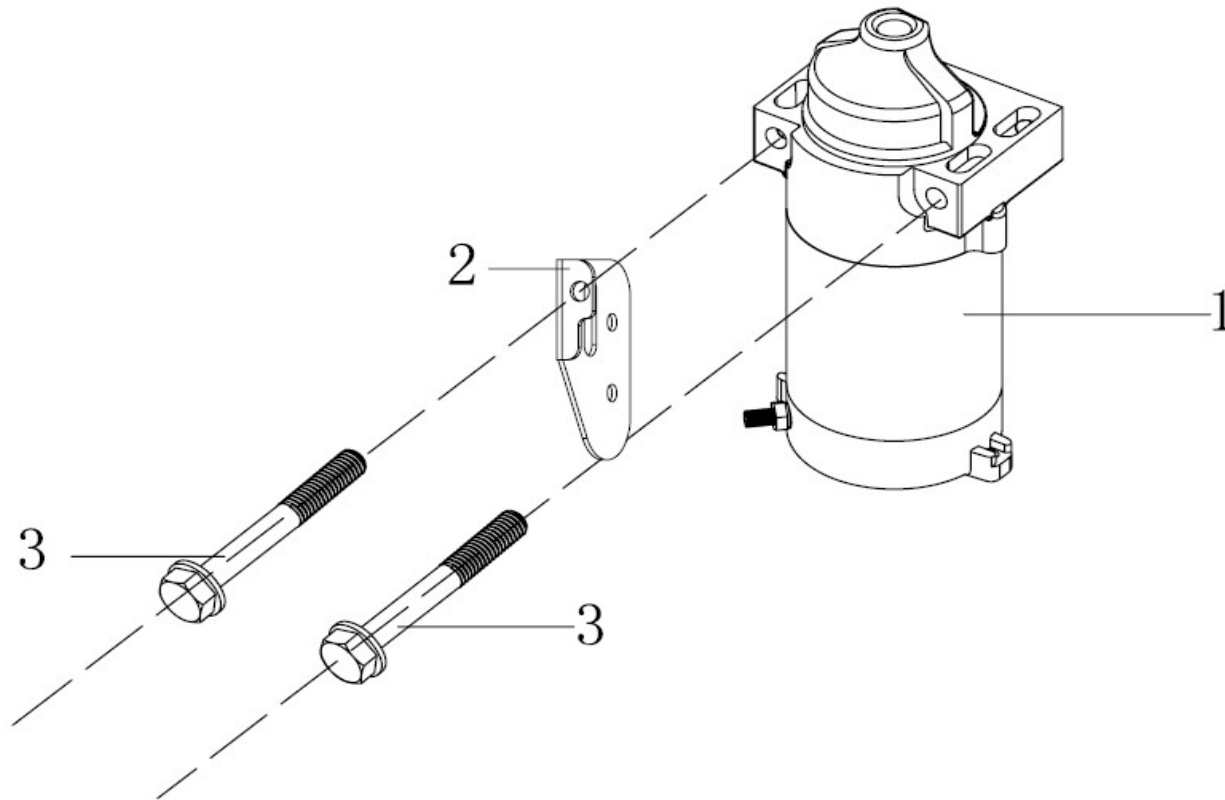
导风部件 (Blower Housing)

序号 No.	零部件图号 Part No.	零部件名称	Description	数量 (Reqd. QTY)		
				1P88F-1	1P90F-1	1P92F-1
1	160180024-T381	叶轮	Fan,Cooling	1	1	1
2	193590013-T370	起动盘	Pulley,Starter	1	1	1
3	380370050-T110	六角法兰面螺母	Nut,Special	1	1	1
4	160850002-T381	叶轮罩	Fan,Cover	1	1	1
5	380140049-0003	六角头法兰面螺栓	Bolt,Flange M5×16	3	3	3
6	380020087-T390	六角头轴肩螺栓	Bolt,Hexagonal	1	1	1
7	160190050-T381	空气导流罩	Shroud Comp	1	1	1
8	380140067-0003	六角头法兰面螺栓	Bolt,Flange,M6×12	1	1	1
9	380020070-T370	六角头轴肩螺栓	Bolt,Hexagonal	3	3	3
10	160210046-T381	风扇罩部件	Cover Comp.,Fan	1	1	1
11	160840002-T381	风扇罩护圈	Retaining Ring,Housing	1	1	1
12	195360009-T381	启动器外罩	Case,Starter Outer	1	1	1



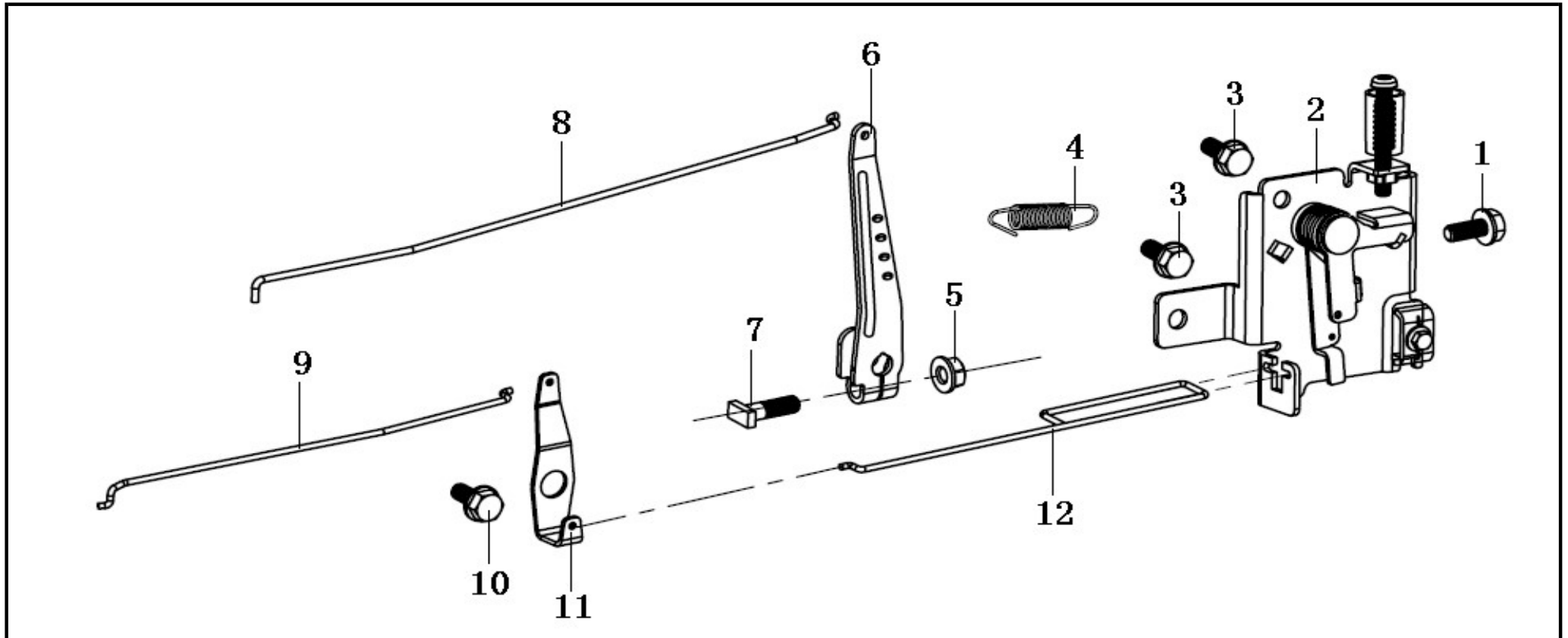
点火系统 (Flywheel)

序号 No.	零部件图号 Part No.	零部件名称	Description	数量 (Reqd. QTY)		
				1P88F-1	1P90F-1	1P92F-1
1	270880145-T381	调压整流器	Rectifier	1	1	1
2	380140067-0003	六角头法兰面螺栓	Bolt, Flange M6×12	2	2	2
3	271280021-T381	连接线	Output Wire, Rectifier	1	1	1
4	270190012-T381	充电线圈部件	Coil Assy, Charge	1	1	1
5	380140054-0003	六角法兰面螺栓	Bolt, Flange M6×30	4	4	4
6	270020229-T370	磁电机转子部件	Flywheel Comp	1	1	1
7	380140103-0004	六角头法兰面螺栓	Bolt, Flange M6×25	2	2	2
8	270920251-T370	点火线圈	Coil Assy, Ignition	1	1	1
9	380930027-T560	定位线卡	location cable clip	1	1	1



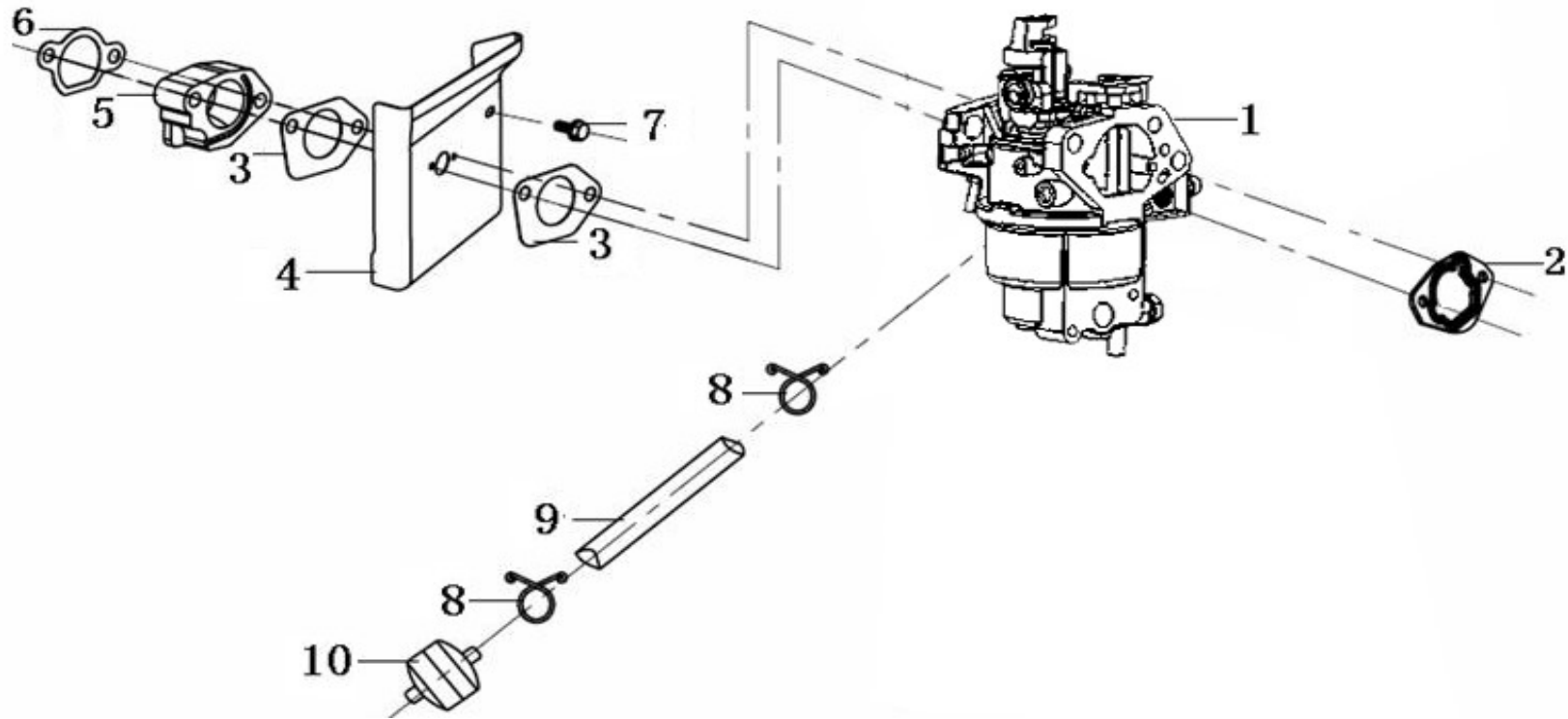
起动电机部件 (Starting Motor Assy)

序号 No.	零部件图号 Part No.	零部件名称	Description	数量 (Reqd. QTY)		
				1P88F-1	1P90F-1	1P92F-1
1	270360077-T381	起动电机部件	Starter Motor	1	1	1
2	270910008-T381	调压整流支架	Bracket	1	1	1
3	380140453-0001	六角头法兰面螺栓	Bolt, Flange M8x80	2	2	2



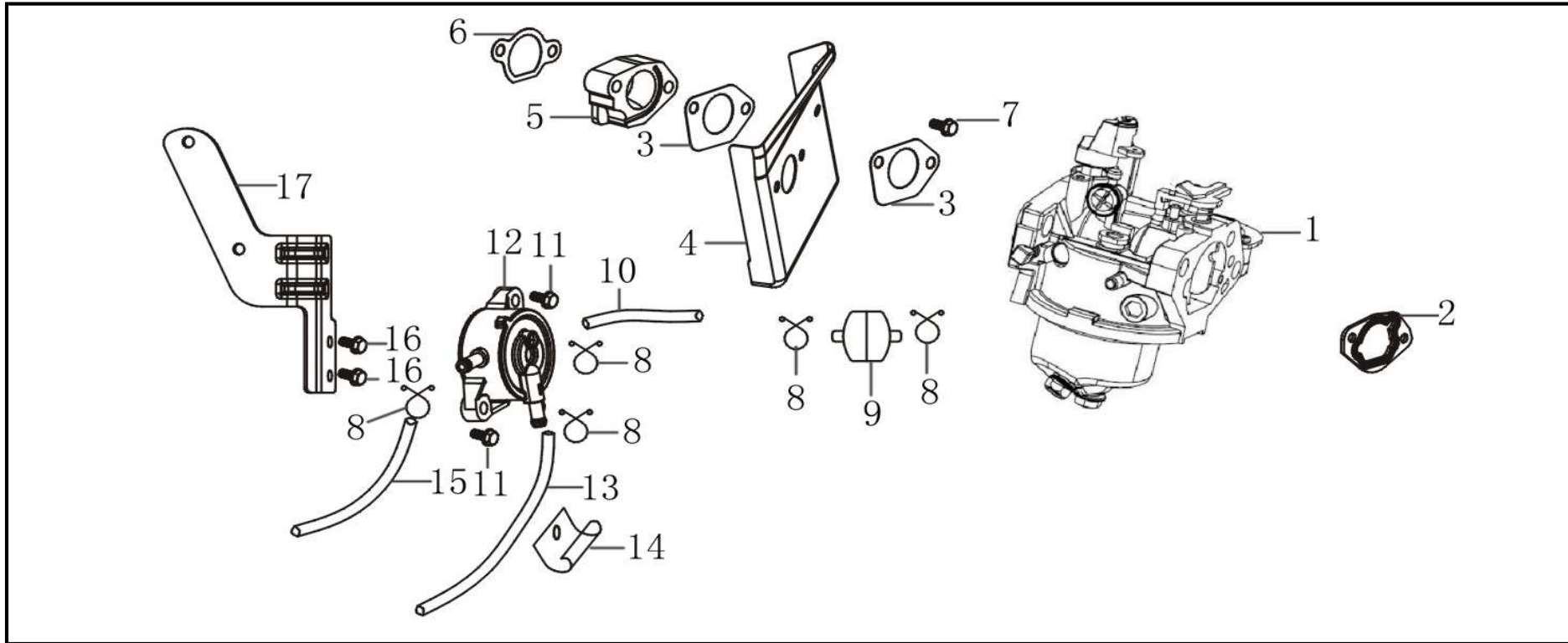
调速控制系统 (Governor)

序号 No.	零部件图号 Part No.	零部件名称	Description	数量 (Reqd. QTY)		
				1P88F-1	1P90F-1	1P92F-1
1	380140013-0005	六角头法兰面螺栓	Bolt M6×16	1	1	1
2	171680036-T370	油门操纵手柄组合	Control assy	1	1	1
3	380140209-0001	六角头法兰面螺栓	Bolt,Flange M6×14	2	2	2
4	171600020-T370	调速弹簧	Spring,Governor	1	1	1
5	380370066-0001	六角法兰面螺母 M6	Nut,Flange M6	1	1	1
6	171620013-T370	调速支架	Arm,Governor	1	1	1
7	380250002-T040	方头平端紧固螺栓	Bolt,Governor Arm	1	1	1
8	171590013-T370	油门拉杆	Rod,Governor	1	1	1
9	171490002-T370	阻风门杆	Rod,Choke	1	1	1
10	380020071-T370	六角头轴肩螺栓	Bolt,Hexagonal	1	1	1
11	171480013-T370	阻风门支架	Stay Comp.,Choke	1	1	1
12	171650003-T370	阻风门拉杆	Rod,Throttle	1	1	1



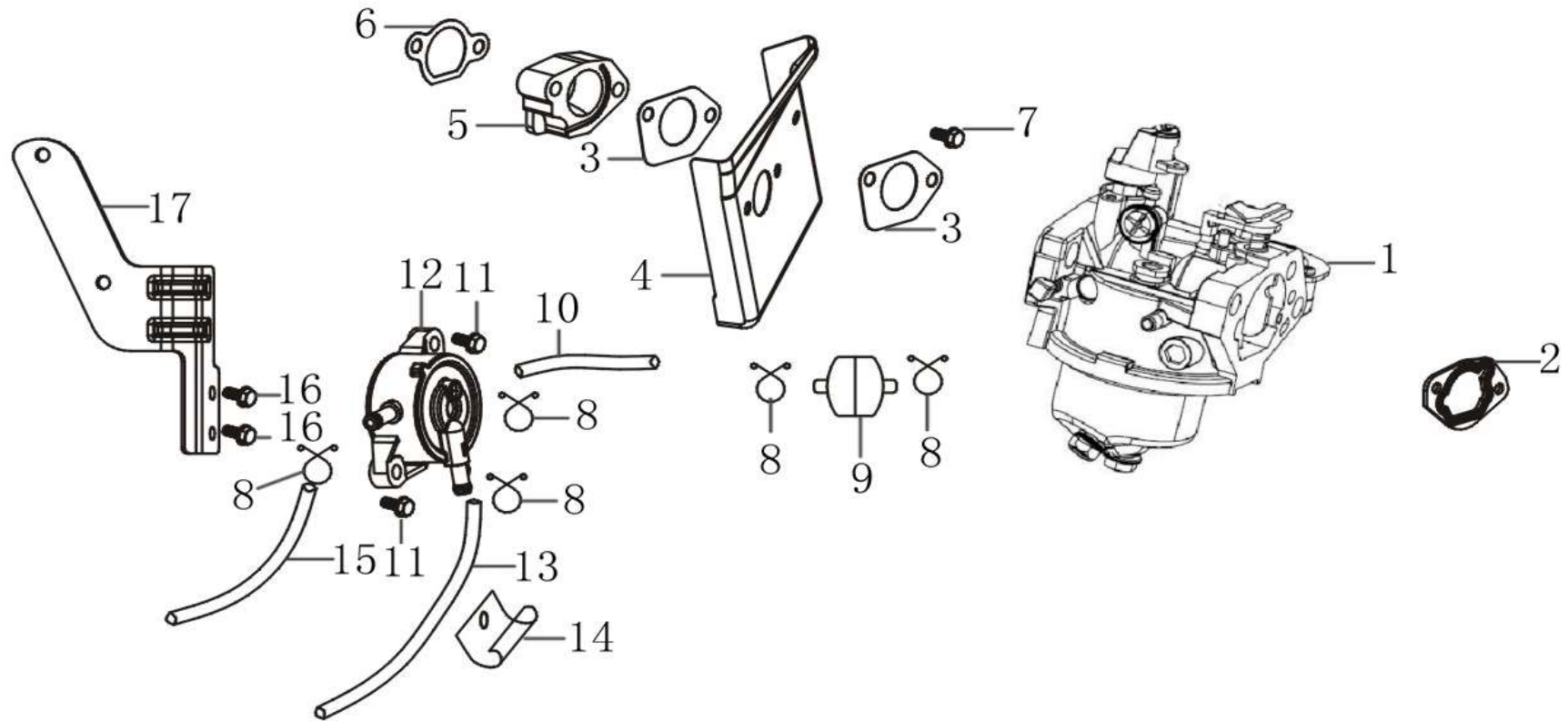
化油器 (Carburetor)

序号 No.	零部件图号 Part No.	零部件名称	Description	数量 (Reqd. QTY)		
				1P88F-1	1P90F-1	1P92F-1
1	170021012-T361	化油器	Carburetor Assy	1	—	—
	170021010-T371	化油器	Carburetor Assy	—	1	—
	170021008-T381	化油器	Carburetor Assy	—	—	1
2	170430173-T440	化油器密封垫	Packing,Carburetor	1	1	1
3	170430099-T370	化油器密封垫	Packing,Carburetor	2	2	2
4	160190049-T381	气缸头导流罩	Shroud Comp	1	1	1
5	170440053-T370	化油器隔热垫	Insulatir,Carburetor	1	1	1
6	170430101-T370	化油器密封垫	Packing,Carburetor	1	1	1
7	380140067-0003	六角头法兰面螺栓	Bolt, Flange	1	1	1
8	380950193-T370	管夹	Tube	2	2	2
9	380750335-T370	油管	Oil Pipeline11*6.5*50	1	1	1
10	170010018-T370	燃油滤清器	Strainer,Fuel	1	1	1



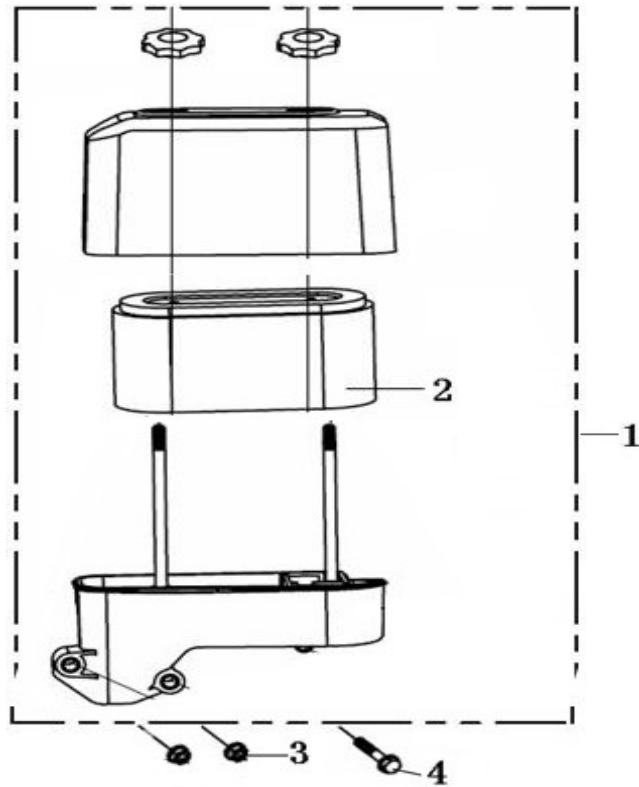
化油器 (Carburetor With Pump)

序号 No.	零部件图号 Part No.	零部件名称	Description	数量 (Reqd. QTY)		
				1P88F-1	1P90F-1	1P92F-1
1	170021012-T361	化油器	Carburetor Assy	1	—	—
	170021010-T371	化油器	Carburetor Assy	—	1	—
	170021008-T381	化油器	Carburetor Assy	—	—	1
2	170430173-T440	化油器密封垫	Packing,Carburetor	1	1	1
3	170430099-T370	化油器密封垫	Packing,Carburetor	2	2	2
4	160190049-0001	气缸头导流罩	Shroud Comp	1	1	1
5	170440053-T370	化油器隔热垫	Insulatr,Carburetor	1	1	1
6	170430101-T370	化油器密封垫	Packing,Carburetor	1	1	1
7	380140067-0003	六角头法兰面螺栓	Bolt, Flange	1	1	1
8	380950193-T370	管夹	Pipe Clip	6	6	6
9	170010018-T370	燃油滤清器	Strainer,Fuel	1	1	1
10	380750200-T370	油管	Oil Pipeline11*6.5*105	1	1	1
11	380140013-0005	六角头法兰面螺栓	Bolt, Flange	2	2	2
12	170460010-T381	汽油泵	Fuel Pump	1	1	1
13	380750188-T370	油管	Oil Pipeline11*6.5*380	1	1	1
14	380950197-T370	管夹	Pipe Clip	1	1	1



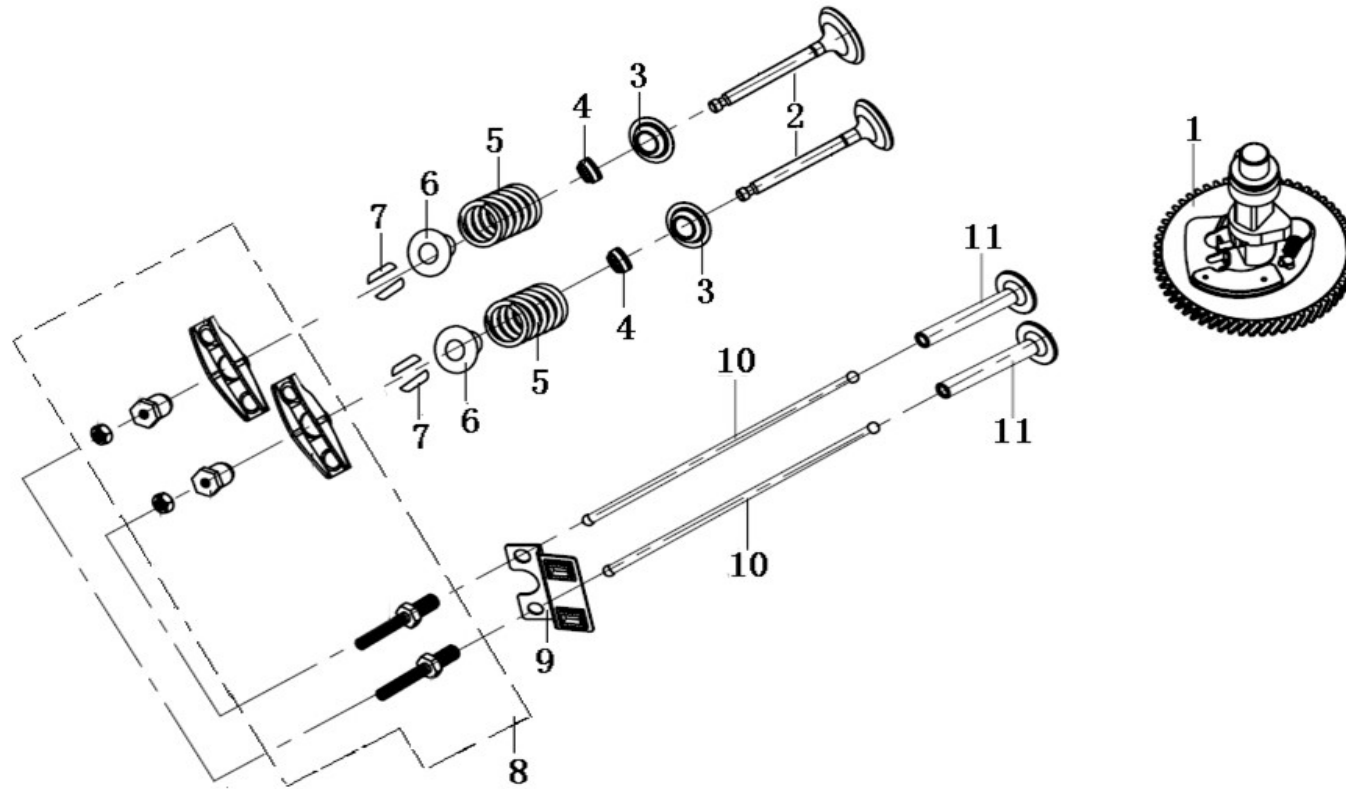
化油器 (Carburetor With Pump)

序号 No.	零部件图号 Part No.	零部件名称	Description	数量 (Reqd. QTY)		
				1P88F-1	1P90F-1	1P92F-1
15	380750336-T370	油管	Oil Pipeline11*6.5*285	1	1	1
16	380140077-0005	六角头法兰面螺栓	Bolt, Flange	2	2	2
17	170470005-T370	汽油泵支架	Stent Fuel Pump	1	1	1



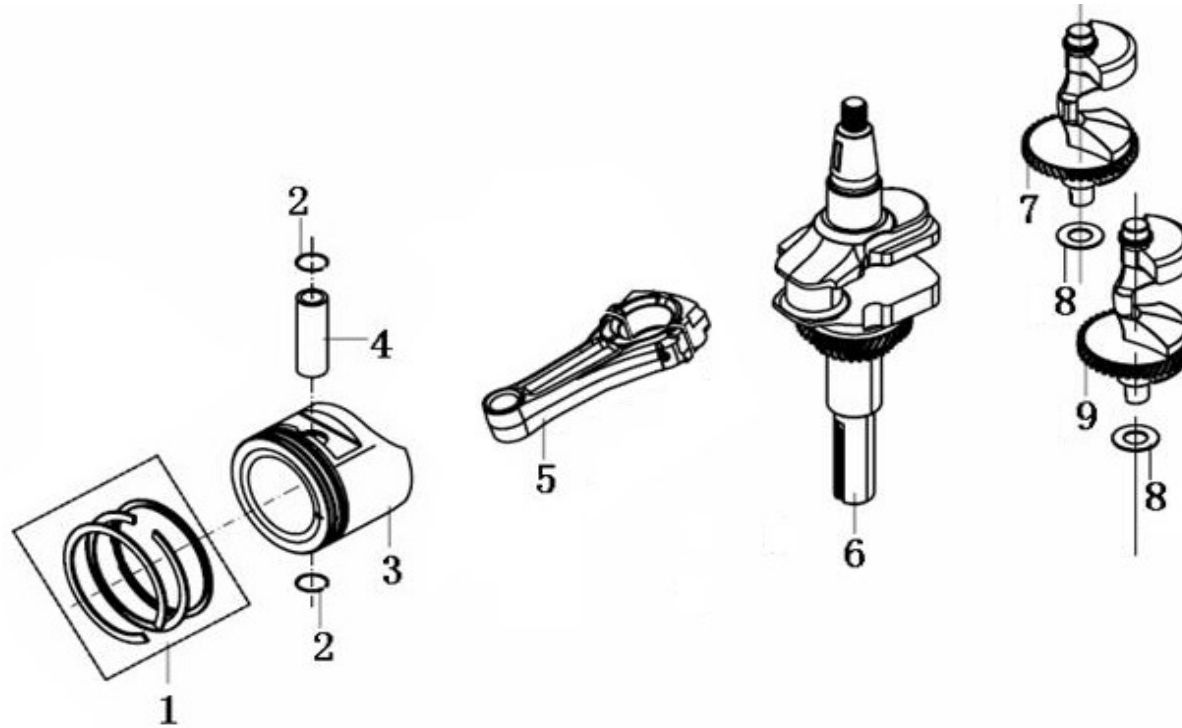
空滤器 (Air Cleaner)

序号 No.	零部件图号 Part No.	零部件名称	Description	数量 (Reqd. QTY)		
				1P88F-1	1P90F-1	1P92F-1
1	180020633-T381	空滤器	Air Cleaner Assy	1	1	1
2	180100064-T381	空滤器滤芯组合	Element,Left	1	1	1
3	380370066-0001	六角头法兰面螺母	Nut M6	2	2	2
4	380140100-0003	六角头法兰面螺栓	Bolt,Flange M6×35	1	1	1



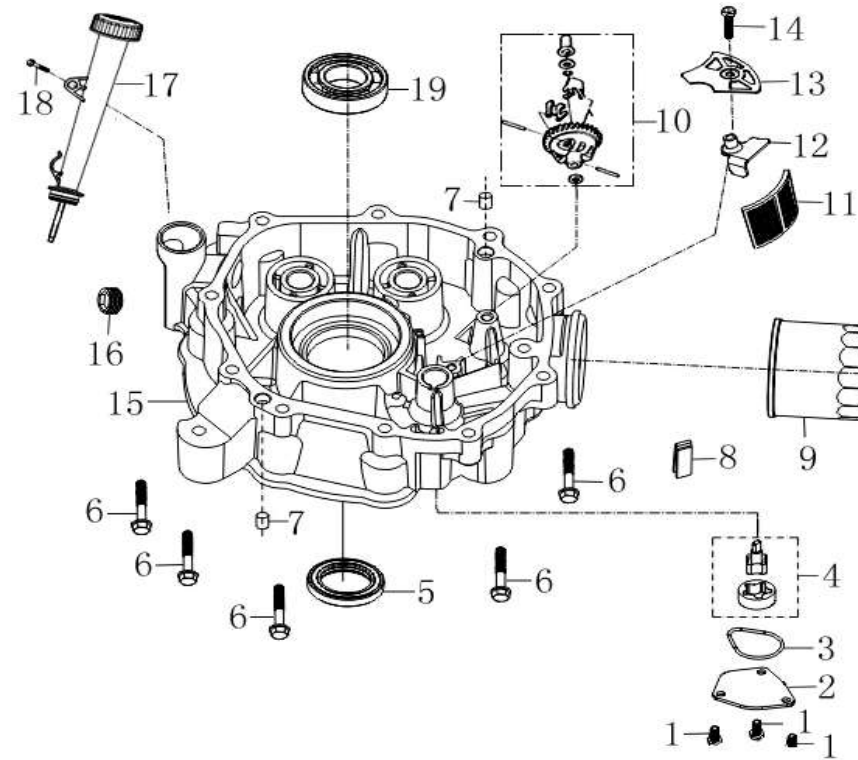
配气机构 (Valve)

序号 No.	零部件图号 Part No.	零部件名称	Description	数量 (Reqd. QTY)		
				1P88F-1	1P90F-1	1P92F-1
1	140020055-T370	凸轮轴组合	Camshaft	1	1	1
2	500550039-T381	气门套件	Valve Assy.	1	1	1
3	140360010-T110	气门内弹簧座圈	Seat, Valve Spring	2	2	2
4	140400012-T110	挡油罩	Seal, Valve Stem	2	2	2
5	140340025-T11D	气门内弹簧	Spring, Valve	2	2	2
6	140380021-T11D	气门弹簧座	Retainer, Ex. Valve Spring	2	2	2
7	140390015-T11D	气门锁夹	Valve Keeper	4	4	4
8	140450041-T381	气门摇臂组合	Valve Rocker Assy	2	2	2
9	140710011-T381	推杆限位板组合	Plate, Assy	1	1	1
10	140670030-T370	挺杆组合	Rod Push	2	2	2
11	140690004-T110	挺柱	Lifter, Valve	2	2	2



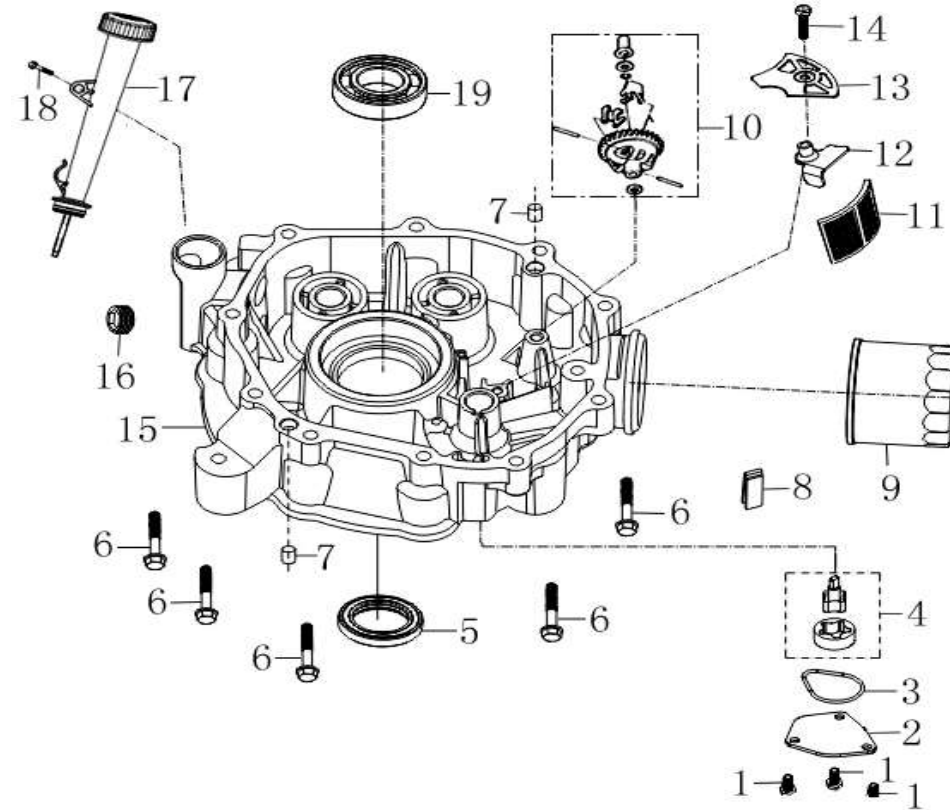
曲柄连杆 (Crankshaft)

序号 No.	零部件图号 Part No.	零部件名称	Description	数量 (Reqd. QTY)		
				1P88F-1	1P90F-1	1P92F-1
1	130070160-T361	活塞环组合	Ring Set	1	—	—
	130070161-T371	活塞环组合	Ring Set	—	1	—
	130070103-T380	活塞环组合	Ring Set	—	—	1
2	380560057-T110	钢丝挡圈	Clip,Piston Pin	2	2	2
3	130030179-T361	活塞	Piston	1	—	—
	130030165-T372	活塞	Piston	—	1	—
	130030114-T380	活塞	Piston	—	—	1
4	130060034-T110	活塞销	Pin,Piston	1	1	1
5	130150048-T370	连杆	Rod Assy.,Connecting	1	1	1
6	130290102-T370	曲轴部件	Crankshaft Comp A	1	1	1
7	130450033-T370	平衡轴	Weight,Balancer	1	1	1
8	380450560-T370	平垫圈17×30×1.5	Washer	2	2	2
9	130450034-T370	平衡轴	Weight,Balancer	1	1	1



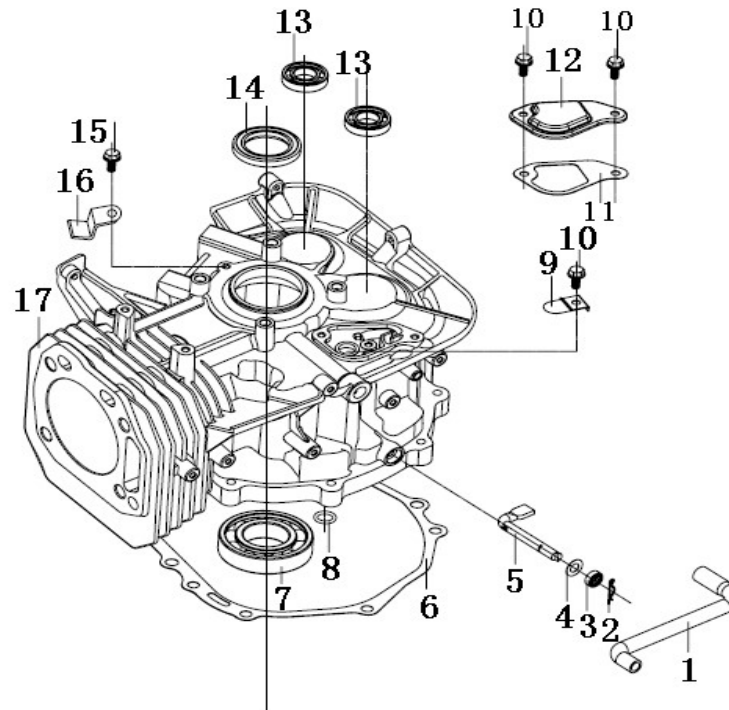
曲轴箱盖 (Crankcase Cover)

序号 No.	零部件图号 Part No.	零部件名称	Description	数量 (Reqd. QTY)		
				1P88F-1	1P90F-1	1P92F-1
1	380140013-0005	六角头法兰面螺栓	Bolt, Flange M6×16	3	3	3
2	150040019-T370	油泵盖	Oil Pump Cover	1	1	1
3	380840467-T370	密封圈	Seal Ring, Oil Pump	1	1	1
4	150010073-T381	机油泵部件	Pump, Oil	1	1	1
5	380650337-T110	油封 $\phi 35 \times \phi 52 \times 7$	Oil Seal, $\phi 35 \times \phi 52 \times 7$	1	1	1
6	380140447-T370	六角头法兰面螺栓	Bolt, Flange M8×40	10	10	10
7	380600123-T370	定位销 $\phi 10 \times 12$	Pin, Dowel $\phi 10 \times 12$	2	2	2
8	150570003-T370	机油回油块	Rubber, oil deflector	1	1	1
9	150350023-T390	机油精滤器组合	OIL FILTER ASSY	1	1	1
10	171750004-T110	调速齿轮部件	Governor Assy	1	1	1
11	150290022-T370	机油滤网	Oil Strainer	1	1	1
12	120530002-T370	油道压板	Oil Baffle Plate	1	1	1
13	150340013-T381	机油滤网盖	Cover, Oil Strainer	1	1	1
14	380140103-0004	六角头法兰面螺栓	Bolt, Flange F6×25	1	1	1
15	110820103-T381	曲轴箱盖	Case Cover	1	1	1



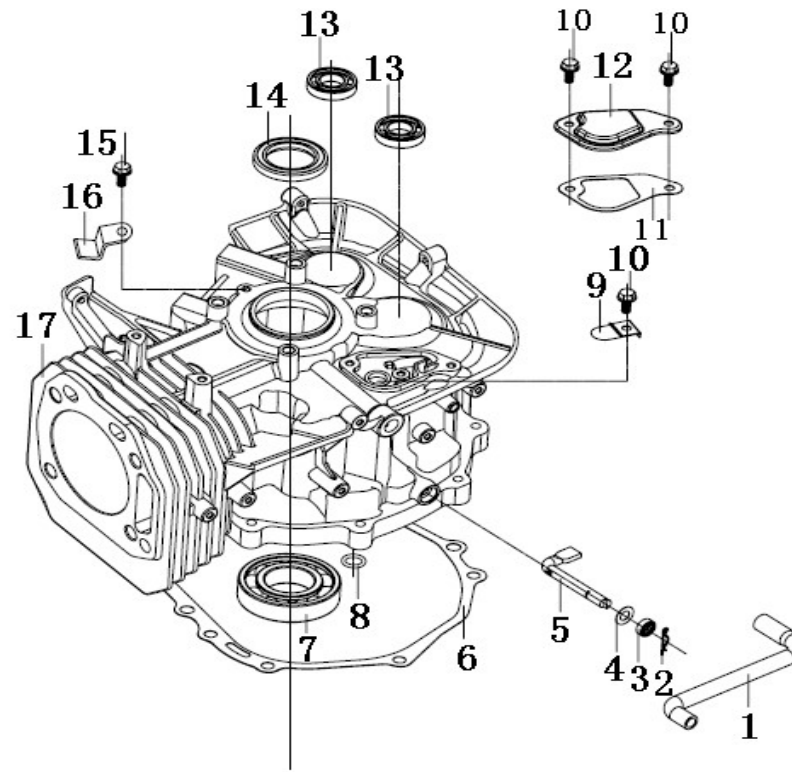
曲轴箱盖 (Crankcase Cover)

序号 No.	零部件图号 Part No.	零部件名称	Description	数量 (Reqd. QTY)		
				1P88F-1	1P90F-1	1P92F-1
15	110820104-T381	曲轴箱盖 (不带机油精滤器)	Case Cover	1	1	1
16	110260026-T370	密封螺塞	Drain Bolt 3/8-18 Nptf	1	1	1
17	110690048-T381	机油尺部件(带汽油泵)	Cap Assy	1	1	1
	110690047-T381	机油尺部件(不带汽油泵)	Cap Assy	1	1	1
18	380140100-0003	六角头法兰面螺栓	Bolt, Flange M6×35	1	1	1
19	380630141-0002	深沟球轴承6207	Bearing, Radial Ball	1	1	1



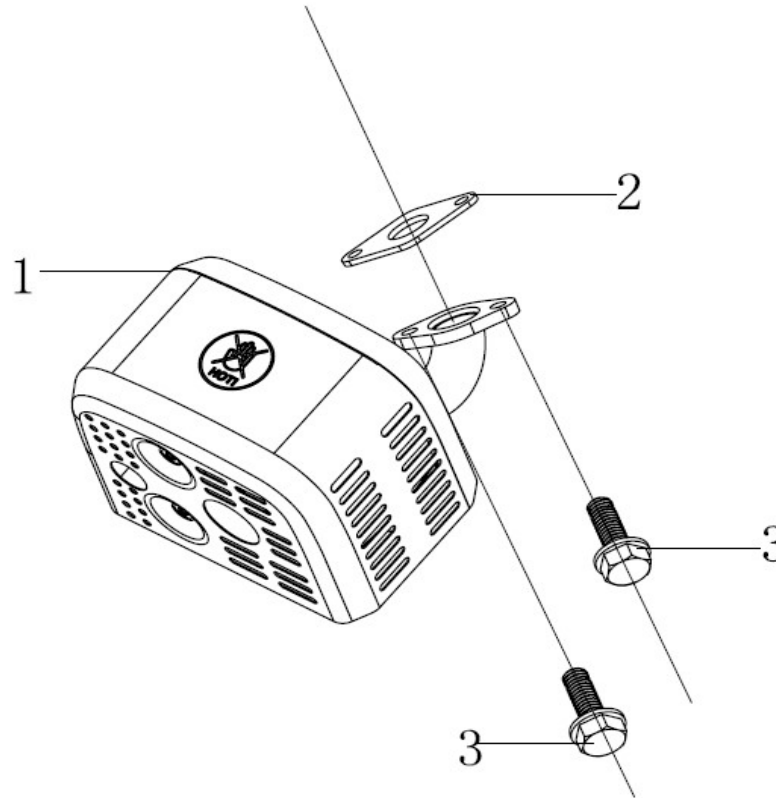
曲轴箱体 (Crankcase)

序号 No.	零部件图号 Part No.	零部件名称	Description	数量 (Reqd. QTY)		
				1P88F-1	1P90F-1	1P92F-1
1	380740462-T370	通气管	Tube,Breather	1	1	1
2	381350004-T040	销夹	Pin,Lock	1	1	1
3	380650339-T110	油封 $\phi 8 \times \phi 14 \times 4$	Oil Seal	1	1	1
4	380450559-T370	平垫圈 $8 \times 16 \times 0.5$	Washer	1	1	1
5	171630020-T381	调速臂	Shaft,Governor Arm	1	1	1
6	110830037-T381	曲轴箱盖密封垫	Packing,Case Cover	1	1	1
7	380630141-0002	深沟球轴承6207	Eddp Groove Ball Beaeing	1	1	1
8	380840443-T370	密封圈 11.7×2.5	O-Ring 11.7×2.5	1	1	1
9	140250006-T370	簧片阀	Reed Valve	1	1	1
10	380140067-0003	六角头法兰面螺栓	Bolt,Flange M6×12	3	3	3
11	110850004-T370	呼吸槽密封垫	Packing,Breather Chamber	1	1	1
12	110840005-T370	呼吸槽盖板	Cap,Breather Chamber	1	1	1
13	380630026-0001	深沟球轴承16003	Eddp Groove Ball Beaeing	2	2	2
14	380650337-T110	油封 $\phi 35 \times \phi 52 \times 7$	Oil Seal, $\phi 35 \times \phi 52 \times 7$	1	1	1
15	380140209-0001	六角头法兰面螺栓	Bolt,Flange M6×14	1	1	1



曲轴箱体 (Crankcase)

序号 No.	零部件图号 Part No.	零部件名称	Description	数量 (Reqd. QTY)		
				1P88F-1	1P90F-1	1P92F-1
16	110480024-T381	压线板	Valve,Breather Chamber	1	1	1
17	110810165-T361	曲轴箱体	Crank Case Comp	1	—	—
	110810154-T372	曲轴箱体	Crank Case Comp	—	1	—
	110810167-T381	曲轴箱体	Crank Case Comp	—	—	1



消声器 (Muffler)

序号 No.	零部件图号 Part No.	零部件名称	Description	数量 (Reqd. QTY)		
				1P88F-1	1P90F-1	1P92F-1
1	180571293-T381	消声器	Muffler	1	1	1
2	180650074-T370	排气口密封垫	Gasket,Ex.Pipe	1	1	1
3	380190168-T381	内六角螺钉	Bolt	2	2	2