



PART CATALOGUE

LC1P65FE-2

VERSION No.: 2018-A

LONCIN MOTOR CO.,LTD.

(Instruction for use of parts catalogue)

This parts catalogue was prepared based on the latest information available as of January 2018.

See the parts catalogue news for any revision that is made after January 2018.

Always specify the part number when ordering a part.

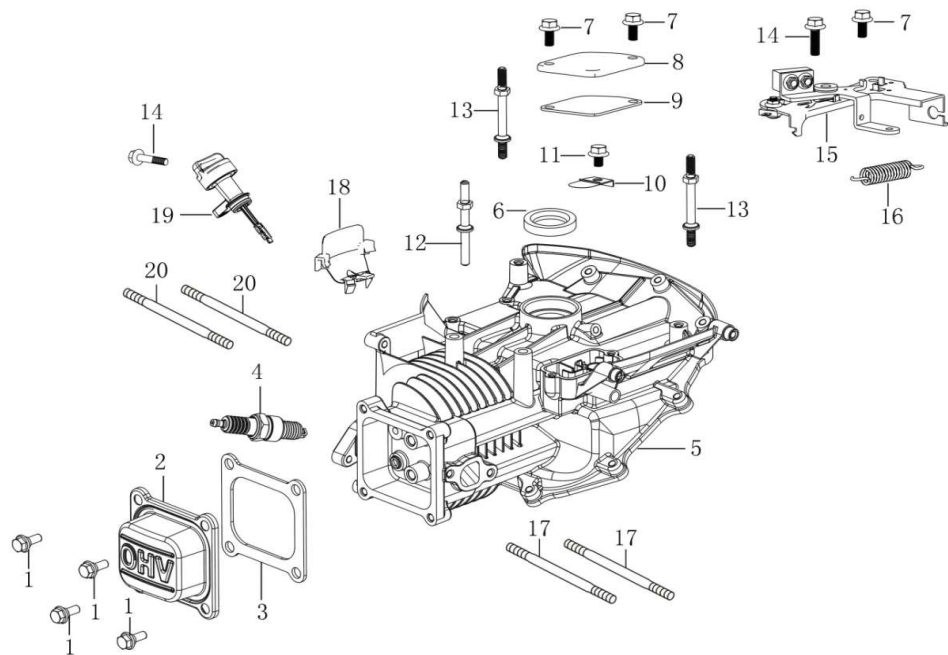
Note that the illustrations can differ from the actual parts in shape.

When modifications or additions to this parts catalogue are made , a revised edition will be issued at an appropriate time,We recommend

Example)

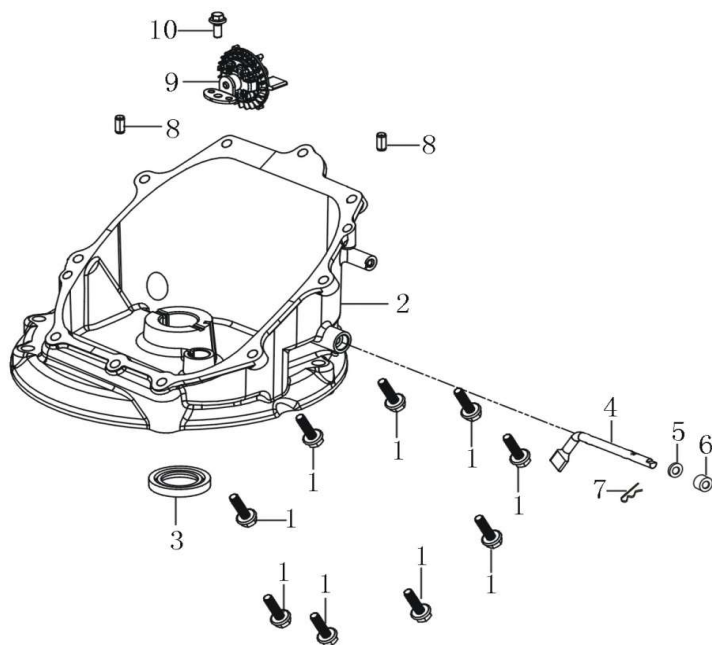
(Crankcase)					
No.	Part No.	零部件名称	Description	(Reqd. QTY.)	
				1P61FE	1P65FE
1	110810053-0001	曲轴箱体	CRANK CASE	1	/

(Note) : [1 means LC1P61FE has 1 QTY]
["/" means require 0 QTY]



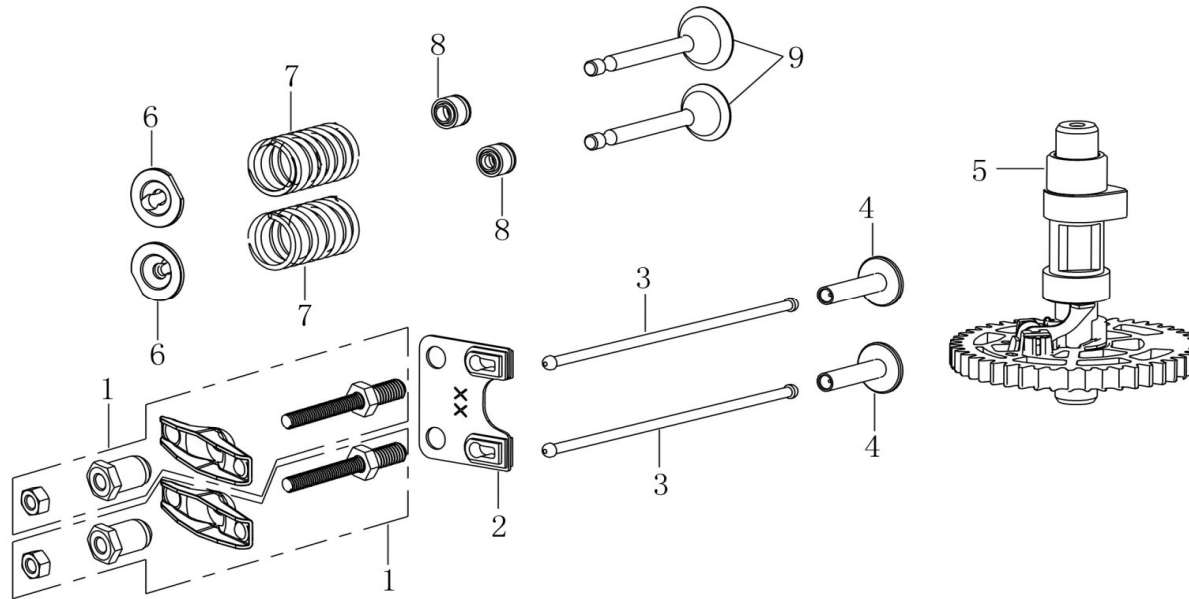
曲轴箱 (CRANKCASE)

序号 No.	零部件件号 Part No.	零部件件号 DWG No.	零部件名称	Description	数量
					Reqd. QTY.
1	380020070-0001	380020070-0001	六角头轴肩螺栓	HEXAGON SHOULDER BOLT	4
2	120230118-0001	120230118-T323	气缸头盖	COVER COMP. HEAD	1
3	120250045-0001	120250045-T323	气缸头盖密封垫	PACKING, HEAD COVER	1
4	270960014-0001	270960014-0001	火花塞 F7RTC	PLUG, SPARK F7RTC	1
5	110810363-0001	110810363-T327	曲轴箱体	CRANK CASE	1
6	380650335-0001	380650335-T320	油封	OIL SEAL 25*38*7	1
7	380140067-0003	380140067-0003	六角头法兰面螺栓	BOLT, FLANGE M6×12	3
8	110840041-0001	110840041-T327	呼吸槽盖板	CAP, BREATHER CHAMBER	1
9	110850030-0001	110850030-T327	呼吸槽密封垫	PACKING, BREATHER CHAMBER	1
10	140250006-0001	140250006-0001	簧片阀	PLATE, BREATHER	1
11	380140039-0003	380140039-0003	六角头法兰面螺栓	BOLT, FLANGE M6×8	1
12	380850016-0001	380850016-T323	双头支撑螺栓	BOLT, STUD 6×72	1
13	380850010-0001	380850010-T321	双头支撑螺栓	BOLT, STUD 6×78	2
14	380140077-0005	380140077-0005	六角头法兰面螺栓	BOLT, FLANGE M6×20	2



曲轴箱盖 (Crankcase cover)

序号 No.	零部件件号 Part No.	零部件件号 DWG No.	零部件名称	Description	数量
					Reqd. QTY.
1	380140103-0004	380140103-0004	六角头法兰面螺栓	BOLT,FLANGE M6×25	9
2	110820198-0001	110820198-T327	曲轴箱盖	CASE COVER	1
3	380650347-0001	380650347-T320	油封	OIL SEAL 25×41.25×6	1
4	171630031-0001	171630031-T327	调速臂	SHAFT,GOVERNOR ARM	1
5	380450527-0001	380450527-T05K	平垫圈 6×13×1	WASHER 6×13×1	1
6	380650338-0001	380650338-T320	油封 6×11×4	OIL SEAL 6×11×4	1
7	381350004-0001	381350004-T040	销夹	PIN,LOCK	1
8	380600241-0001	380600241-0001	定位销	PIN,DOWEL	2
9	171750039-0001	171750039-T327	调速齿轮部件	GOVERNOR COMP	1
10	380140167-0002	380140167-0002	六角头法兰面螺栓 M5×12	BOLT,FLANGE M5×12	1



配气机构 (CAMSHAFT)

序号 No.	零部件件号 Part No.	零部件件号 DWG No.	零部件名称	Description	数量
					Reqd. QTY.
1	140450060-0001	140450060-T323	气门摇臂组合	ARM,VALVE ROCKER	2
2	140710013-0002	140710013-T323	推杆限位板组合	PLATE ASSY	1
3	140670028-0001	140670028-T302	挺杆组合	ROD,PUSH	2
4	140690021-0001	140690021-T290	挺柱	LIFTER	2
5	140020174-0001	140020174-T327	凸轮轴组合	CAMSHAFT ASSY.	1
6	140380020-0001	140380020-T320	气门弹簧座	RETAINER,VALVE SPRING	2
7	140340039-0001	140340039-T322	气门内弹簧	SPRING,VALVE	2
8	140400016-0001	140400016-T05K	挡油罩	SEAL,VALVE STEM	2
9	500550034-0001	500550034-T320	气门套件	VALVE ASSY.	1

