



PARTS CATALOGUE

LC1P85FA



Version number: LC/LT-2016-A

LONCIN MOTOR CO.,LTD.

(Instruction for use of parts catalogue)

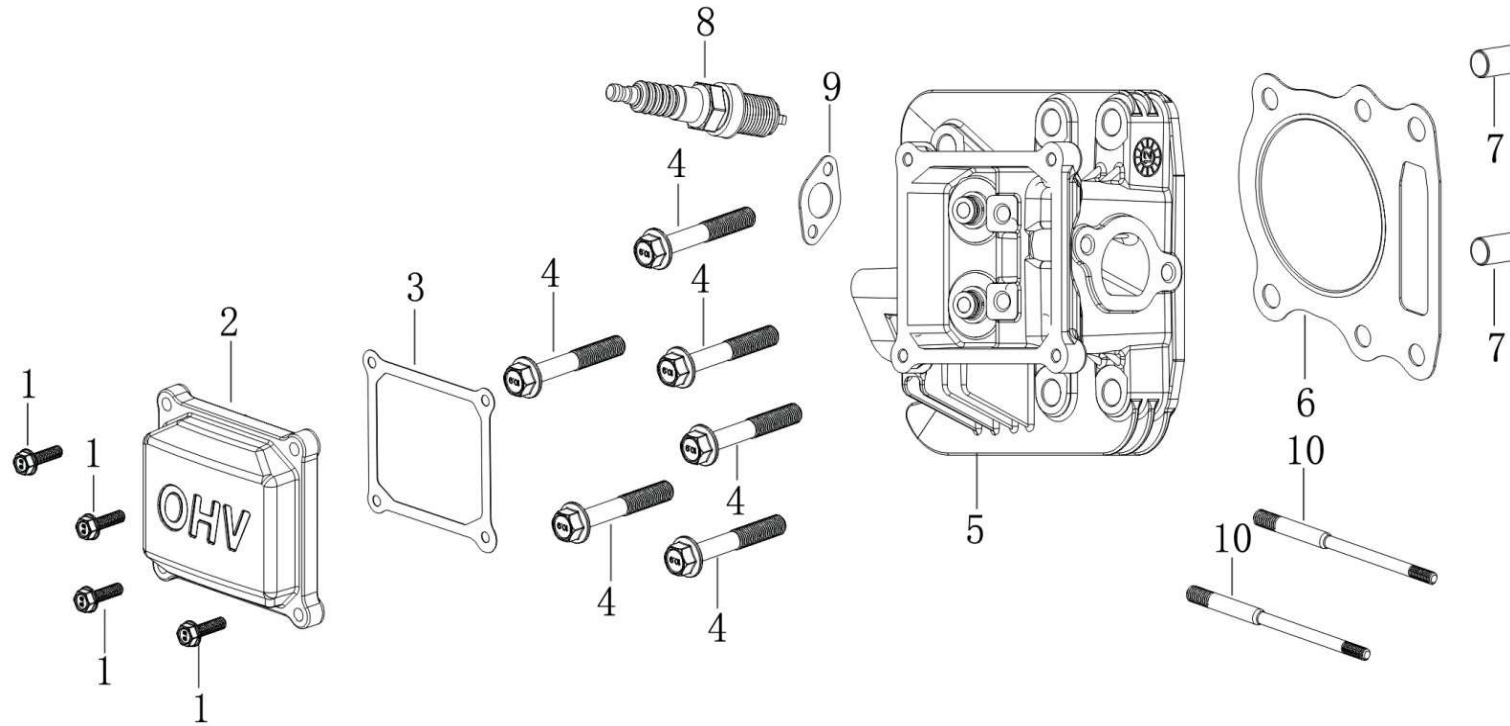
This parts catalogue was prepared based on the latest information available as of January 2016.

See the parts catalogue news for any revision that is made after January 2016.

Always specify the part number when ordering a part.

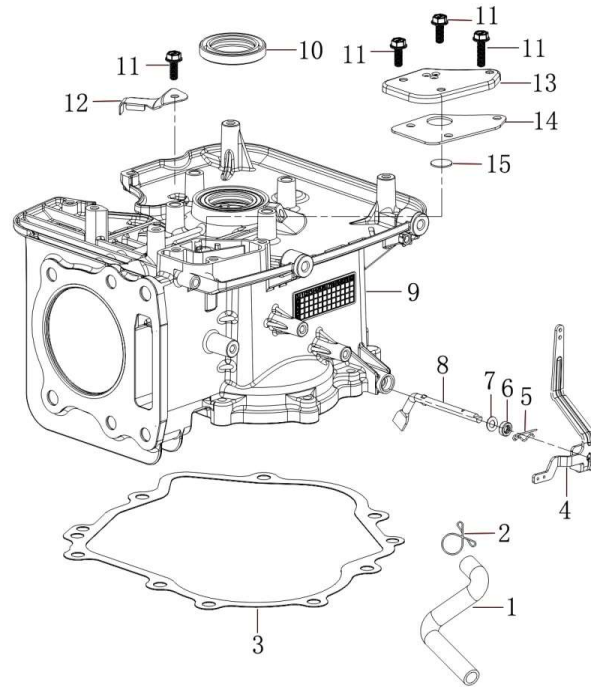
Note that the illustrations can differ from the actual parts in shape.

When modifications or additions to this parts catalogue are made , a revised edition will be issued at an appropriate time,We recommend obtaining such revisions in order to keep your parts catalogue up-to-date at all times. To check whether a part scatalogue revision has been issued, please contact your LONCIN distributor.



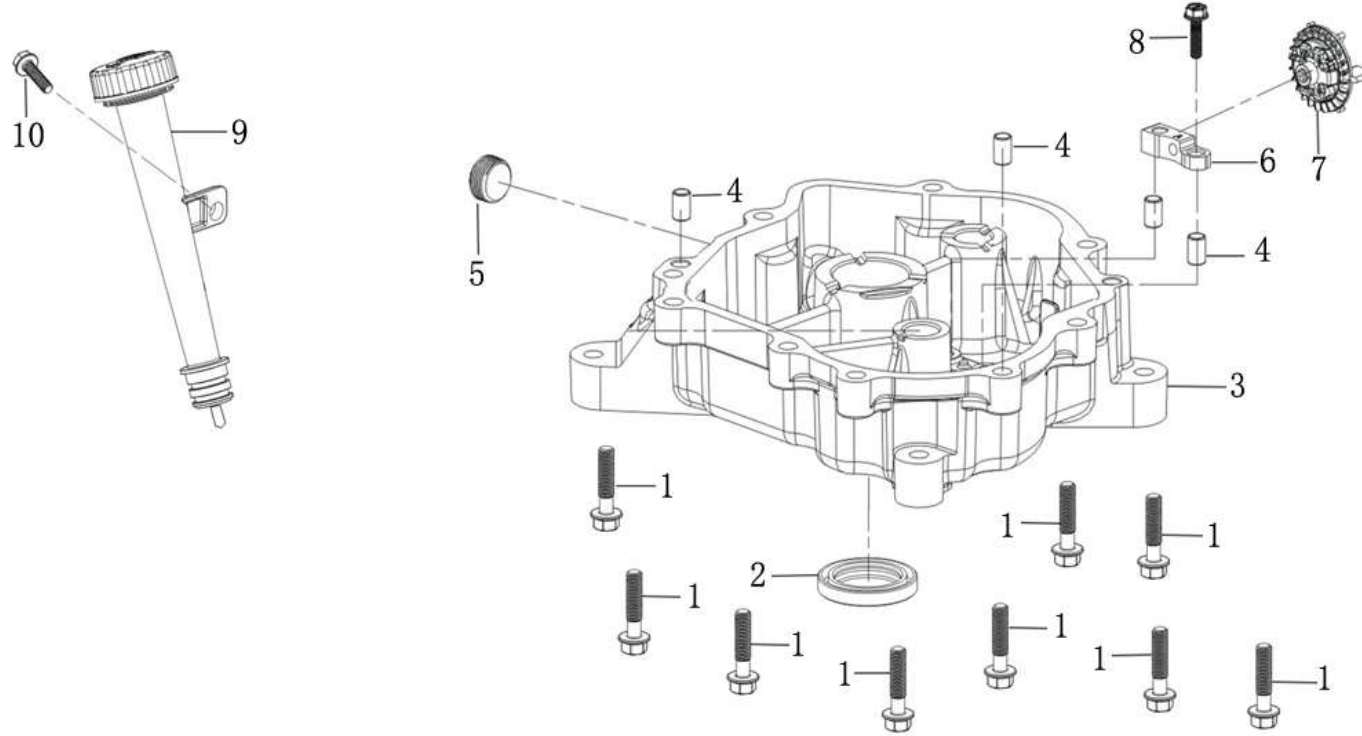
气缸头 (CYLINDER HEAD)

| 序号 No. | 零部件件号 Part No. | 零部件名称 | Description | 数量 Reqd. QTY. |
|-----------|-------------------|-----------------|---------------------|------------------|
| 1 | 380140103-0004 | 六角头法兰面螺栓 | BOLT,FLANGE M6×25 | 4 |
| 2 | 120230137-T440 | 气缸头盖 | COVER COMP, HEAD | 1 |
| 3 | 120250051-T440 | 气缸头盖密封垫 | PACKING, HEAD COVER | 1 |
| 4 | 380140454-0002 | 六角头法兰面螺栓 M10×65 | BOLT,FLANGE M10×65 | 6 |
| 5 | 120080566-T440 | 气缸头 | HEAD COMP,CYLINDER | 1 |
| 6 | 120150203-T440 | 气缸头密封垫 | GASKET, CYLINDER | 1 |
| 7 | 380600116-T110 | 定位销 12×20 | PIN, DOWEL, 12×20 | 2 |
| 8 | 270960061-0002 | 火花塞 K7RTC | PLUG,SPARK K7RTC | 1 |
| 9 | 180650074-T370 | 排气口密封垫 | GASKET,EX.PIPE | 1 |
| 10 | 380180131-T180 | 双头螺栓 | BOLT, STUD | 2 |
| | | | | |



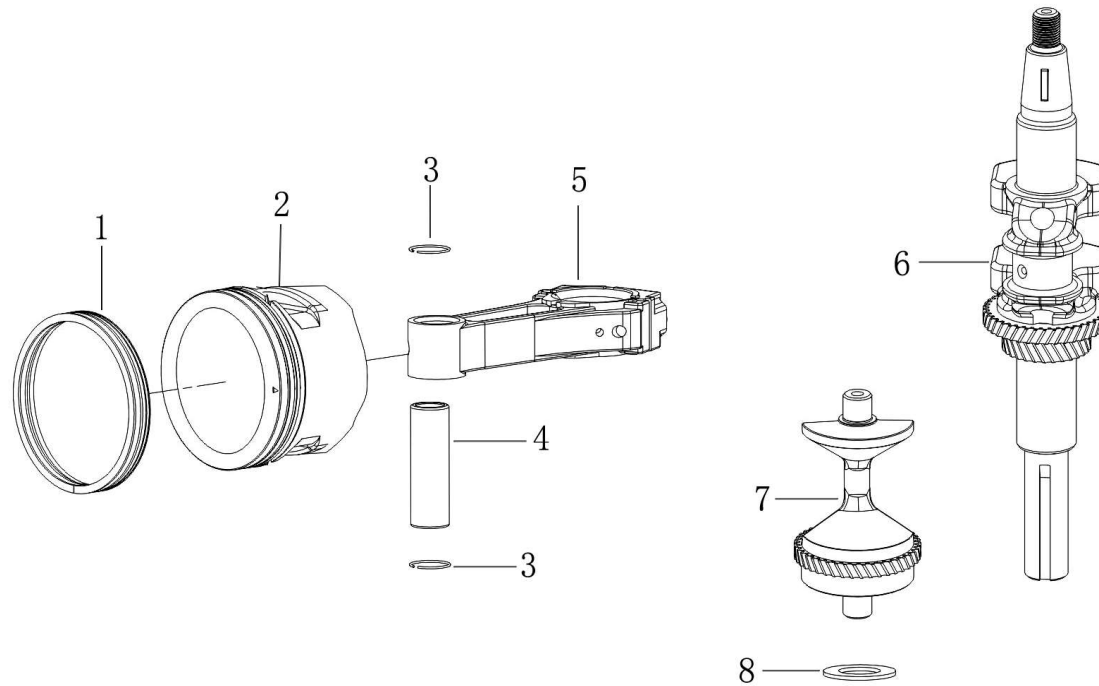
曲轴箱 (CRANKCASE)

| 序号 No. | 零部件号 Part No. | 零部件名称 | Description | 数量 Reqd. QTY. |
|-----------|------------------|----------------|-------------------------|------------------|
| 1 | 380741124-T440 | 通气管 | TUBE,BREATHER | 1 |
| 2 | 380950402-T440 | 管夹 | PIPE CLIP | 1 |
| 3 | 110830060-T440 | 曲轴箱盖密封垫 | PACKING,CASE COVER | 1 |
| 4 | 171620035-0003 | 调速支架 | ARM,GOVERNOR | 1 |
| 5 | 381350004-T040 | 销夹 | PIN,LOCK | 1 |
| 6 | 380650338-T320 | 油封 | OIL SEAL 6×11×4 | 1 |
| 7 | 380450527-T05K | 平垫圈 | WASHER 6×13×1 | 1 |
| 8 | 171630010-T320 | 调速臂 | SHAFT,GOVERNOR ARM | 1 |
| 9 | 110810236-T440 | 曲轴箱体 | CRANKCASE | 1 |
| 10 | 380650337-T110 | 油封 35×52×7 | OIL SEAL 35×52×7 | 1 |
| 11 | 380140013-0005 | 六角头法兰面螺栓 M6×16 | BOLT,FLANGE M6×16 | 4 |
| 12 | 110480029-T440 | 压线板 | PLATE | 1 |
| 13 | 110840029-T440 | 呼吸槽盖板 | COVER BREATHER CHAMBER | 1 |
| 14 | 110850020-T440 | 呼吸槽密封垫 | GASKET BREATHER CHAMBER | 1 |
| 15 | 110860006-T440 | 呼吸片 | VALVE,BREATHER CHAMBER | 1 |



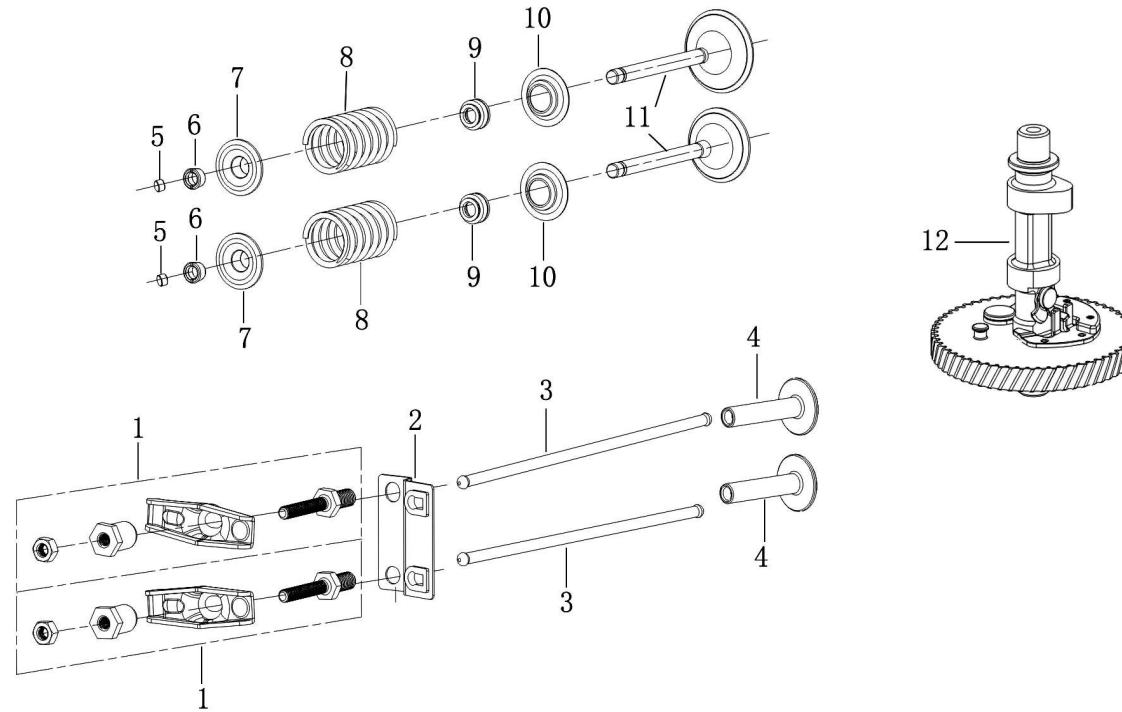
曲轴箱盖 (CRANKCASE COVER)

| 序号 No. | 零部件件号 Part No. | 零部件名称 | Description | 数量 Reqd. QTY. |
|-----------|-------------------|----------------|-------------------|------------------|
| 1 | 380140364-0001 | 六角头法兰面螺栓 M8×35 | BOLT,FLANGE M8×35 | 9 |
| 2 | 380650337-T110 | 油封 | OIL SEAL 35×52×7 | 1 |
| 3 | 110820120-T440 | 曲轴箱盖 | CRANKCASE COVER | 1 |
| 4 | 380600119-T110 | 定位销 8×12 | PIN,DOWEL | 4 |
| 5 | 110260026-T370 | 密封螺塞 | DRAIN BOLT | 1 |
| 6 | 171640003-T320 | 调速齿轮压板 | PLATE GOVERNOR | 1 |
| 7 | 171750027-T440 | 调速齿轮部件 | GOVERNOR ASSY | 1 |
| 8 | 380140103-0004 | 六角头法兰面螺栓 M6×25 | BOLT,FLANGE M6×25 | 1 |
| 9 | 110690069-T440 | 机油尺组合 | CAP ASSY | 1 |
| 10 | 380140077-0005 | 六角头法兰面螺栓 M6×20 | BOLT,FLANGE M6×20 | 1 |



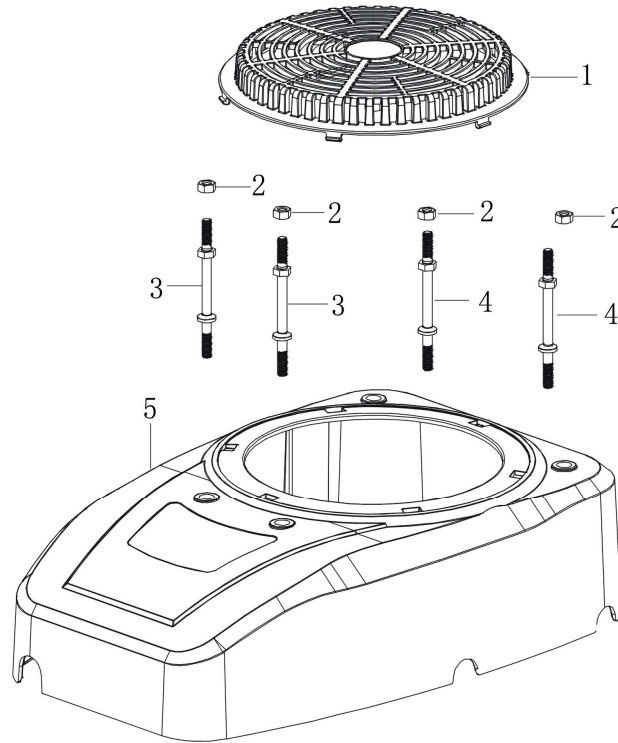
曲轴/活塞 (CRANKSHAFT/PISTON)

| 序号 No. | 零部件件号 Part No. | 零部件名称 | Description | 数量 Reqd. QTY. |
|-----------|-------------------|-------|----------------------|------------------|
| 1 | 130070156-T441 | 活塞环组合 | RING SET | 1 |
| 2 | 130030289-T440 | 活塞 | PISTON | 1 |
| 3 | 380560057-T110 | 钢丝挡圈 | CLIP,PISTON PIN | 2 |
| 4 | 130060064-T430 | 活塞销 | PIN.PISTON | 1 |
| 5 | 130150103-T440 | 连杆 | ROD ASSY.,CONNECTING | 1 |
| 6 | 130290500-T440 | 曲轴部件 | CRANKSHAFT COMP | 1 |
| 7 | 130450029-T440 | 平衡轴 | WEIGHT BALANCER | 1 |
| 8 | 380450560-T370 | 平垫圈 | WASHER | 1 |
| | | | | |



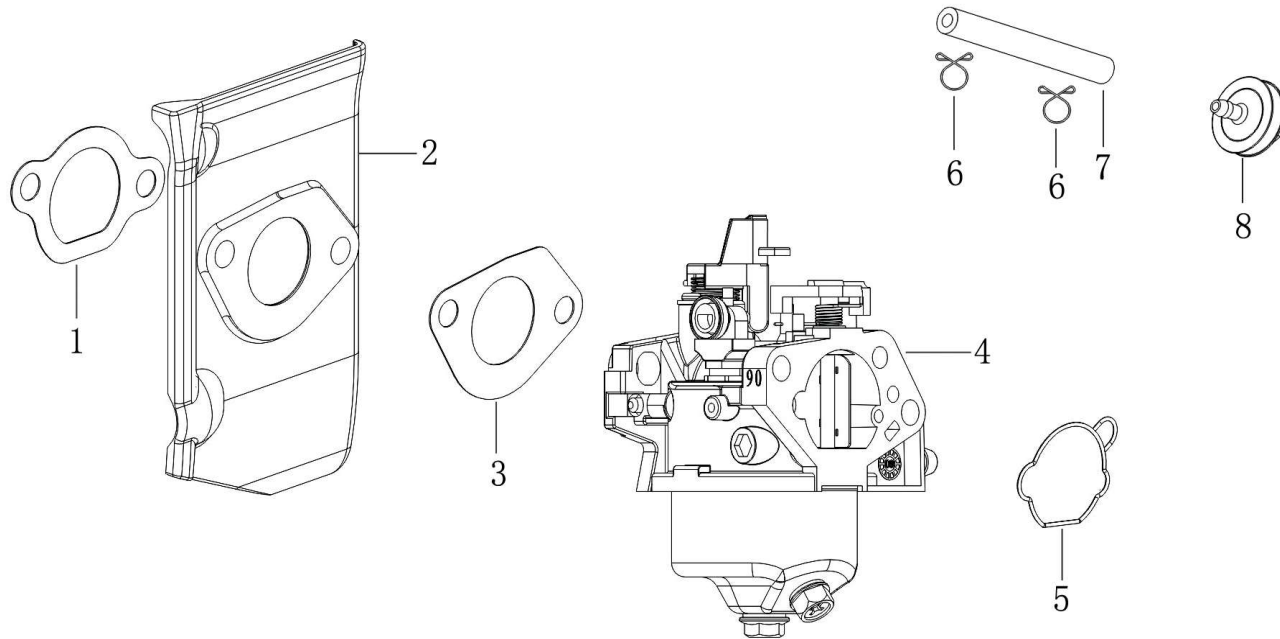
配气机构 (GAS DISTRIBUTION ADJUSTMENT)

| 序号 No. | 零部件件号 Part No. | 零部件名称 | Description | 数量 Reqd. QTY. |
|-----------|-------------------|---------|------------------------|------------------|
| 1 | 140450041-T381 | 气门摇臂组合 | ARM, VALVE ROCKER | 2 |
| 2 | 140710007-T370 | 推杆限位板组合 | PLATE, PUSH ROD GUIDE | 1 |
| 3 | 140670042-T440 | 挺杆组合 | ROD, PUSH | 2 |
| 4 | 140690004-T110 | 挺柱 | LIFTER, VALVE | 2 |
| 5 | 140320002-T110 | 气门调整帽 | CAP VALVE | 2 |
| 6 | 140390015-T11D | 气门锁夹 | LOCK CLAMP, VALVE | 4 |
| 7 | 140380021-T11D | 气门弹簧座 | RETAINER, VALVE SPRING | 2 |
| 8 | 140340025-T11D | 气门内弹簧 | SPRING, VALVE | 2 |
| 9 | 140400012-T110 | 挡油罩 | SEAL, VALVE STEM | 2 |
| 10 | 140360010-T110 | 气门内弹簧座圈 | SEAT, VALVE SPRING | 2 |
| 11 | 500550036-T370 | 气门套件 | VALVE ASSY | 1 |
| 12 | 140020115-T440 | 凸轮轴组合 | CAMSHAFT ASSY. | 1 |



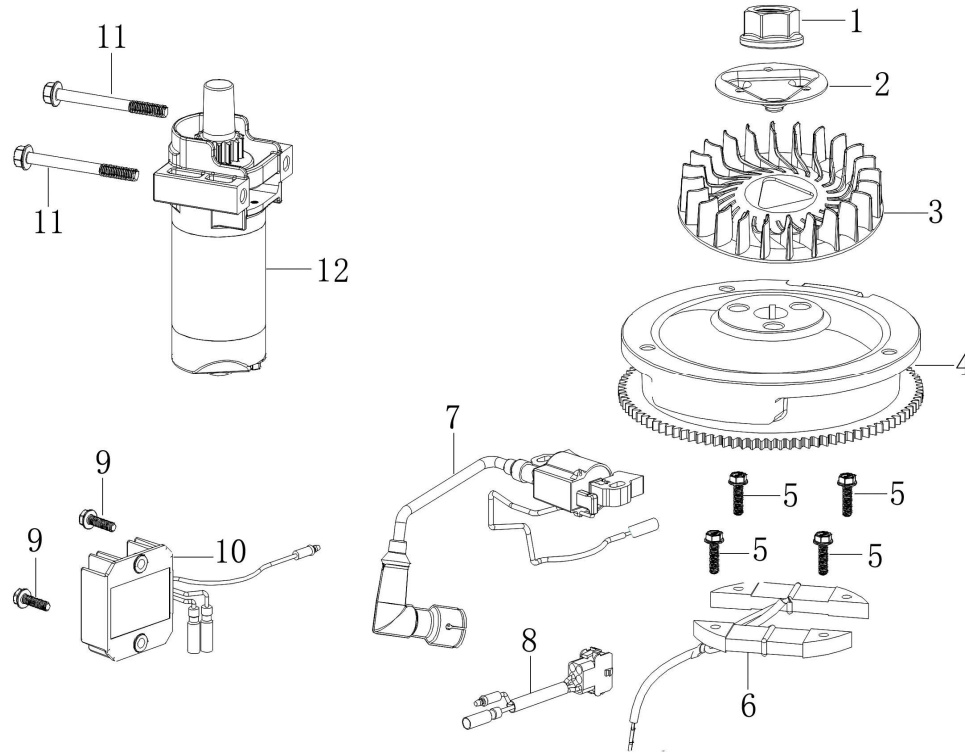
挡风罩 (BLOWER HOUSING)

| 序号 No. | 零部件件号 Part No. | 零部件名称 | Description | 数量 Reqd. QTY. |
|-----------|-------------------|---------|--------------------|------------------|
| 1 | 195360014-T440 | 起动器外罩 | CASE,STARTER OUTER | 1 |
| 2 | 380370066-0001 | 六角法兰面螺母 | NUT M6 | 4 |
| 3 | 380850012-0001 | 双头支撑螺栓 | BOLT,STUD M6×90 | 2 |
| 4 | 380850018-0002 | 双头支撑螺栓 | BOLT,STUD M6×91.5 | 2 |
| 5 | 160210089-T440 | 风扇罩部件 | FAN COVER | 1 |
| | | | | |
| | | | | |
| | | | | |



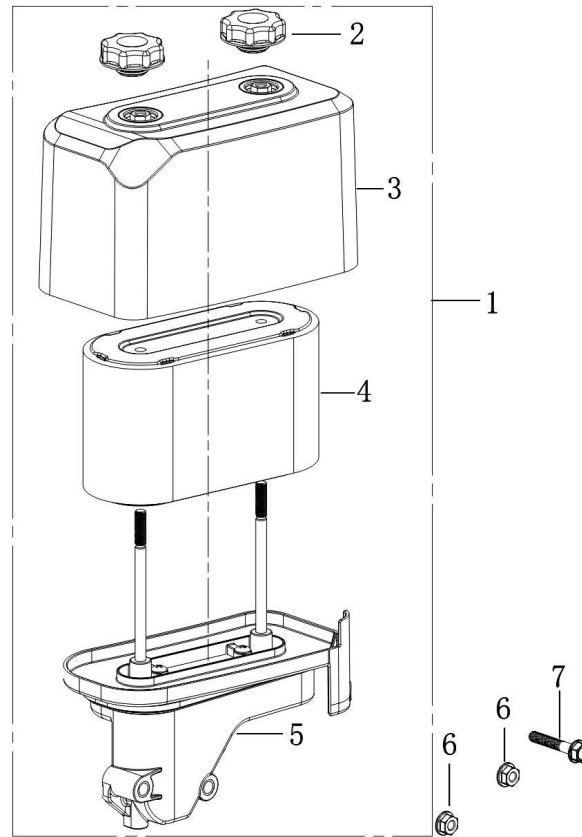
化油器 (CARBURETOR)

| 序号 No. | 零部件件号 Part No. | 零部件名称 | Description | 数量 Reqd. QTY. |
|-----------|-------------------|--------|----------------------|------------------|
| 1 | 170430165-T440 | 化油器密封垫 | PACKING.,CARBURETOR | 1 |
| 2 | 170440100-T440 | 化油器隔热垫 | INSULATOR,CARBURETOR | 1 |
| 3 | 170430164-T440 | 化油器密封垫 | PACKING.,CARBURETOR | 2 |
| 4 | 170021416-T441 | 化油器 | CARBURETOR ASSY | 1 |
| 5 | 170430173-T440 | 化油器密封垫 | PACKING.,CARBURETOR | 1 |
| 6 | 380950193-T370 | 管夹 | PIPE CLIP | 2 |
| 7 | 380750335-T370 | 油管 | TUBE,FUEL | 1 |
| 8 | 170010018-T370 | 燃油滤清器 | STRAINER,FUEL | 1 |
| | | | | |



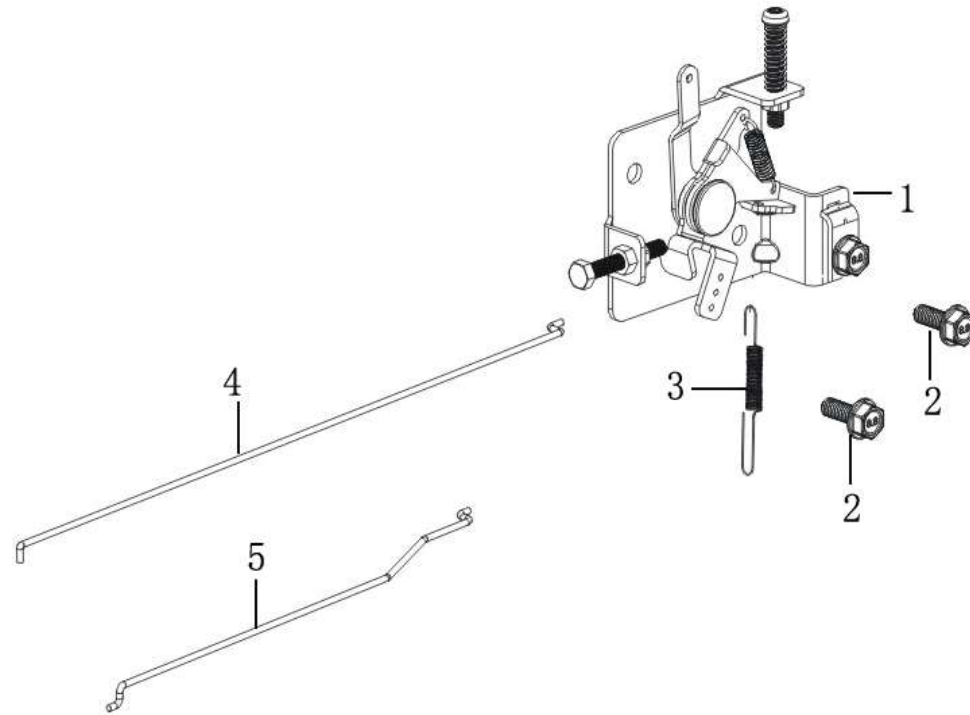
飞轮 点火器 (FLYWHEEL/IGNITION COMP)

| 序号 No. | 零部件件号 Part No. | 零部件名称 | Description | 数量 Reqd. QTY. |
|-----------|-------------------|----------|---------------------|------------------|
| 1 | 380370050-T110 | 六角法兰面螺母 | NUT,SPECIAL M16 | 1 |
| 2 | 193590013-T370 | 起动盘 | PULLEY,STARTER | 1 |
| 3 | 160180037-T370 | 叶轮 | FAN,COOLING | 1 |
| 4 | 270020247-T440 | 磁电机转子部件 | FLYWHEEL COMP | 1 |
| 5 | 380140054-0003 | 六角头法兰面螺栓 | BOLT,FLANGE M6×30 | 4 |
| 6 | 270190022-T440 | 充电线圈部件 | COIL ASSY CHARGE | 1 |
| 7 | 270920308-T440 | 点火线圈 | COIL ASSY.,IGNITION | 1 |
| 8 | 271280071-T440 | 连接线 | LINE WIRE | 1 |
| 9 | 380140013-0005 | 六角头法兰面螺栓 | BOLT,FLANGE M6×16 | 2 |
| 10 | 270880173-T440 | 调压整流器 | RECTIFIER | 1 |
| 11 | 380140453-0001 | 六角头法兰面螺栓 | BOLT,FLANGE M8×80 | 2 |
| 12 | 270360094-T440 | 起动电机部件 | STARTER MOTOR | 1 |



空滤器 (AIR CLEANER)

| 序号 No. | 零部件件号 Part No. | 零部件名称 | Description | 数量 Reqd. QTY. |
|-----------|-------------------|----------|---------------------------|------------------|
| 1 | 180020721-T440 | 空滤器 | AIR CLEANER ASSY | 1 |
| 2 | 181950002-T370 | 螺纹手柄 | HANDLE,AIR CLEANER BOLT | 2 |
| 3 | 180070230-T440 | 空滤器壳体盖 | COVER AIR CLEANER | 1 |
| 4 | 180100097-T440 | 空滤器滤芯组合 | ELEMENT ASSY.,AIR CLEANER | 1 |
| 5 | 180280093-T440 | 空滤器座 | ELBOW COMP., AIR CLEANER | 1 |
| 6 | 380370066-0001 | 六角法兰面螺母 | NUT,FLANGE M6 | 2 |
| 7 | 380140100-0003 | 六角头法兰面螺栓 | BOLT,FLANGE M6×35 | 1 |
| | | | | |



调速控制 (CONTROL)

| 序号 No. | 零部件件号 Part No. | 零部件名称 | Description | 数量 Reqd. QTY. |
|-----------|-------------------|----------|-------------------|------------------|
| 1 | 171680107-T440 | 油门操纵手柄组合 | CONTROL ASSY. | 1 |
| 2 | 380140013-0005 | 六角头法兰面螺栓 | BOLT,FLANGE M6×16 | 2 |
| 3 | 171600067-T440 | 调速弹簧 | SPRING,GOVERNOR | 1 |
| 4 | 171590026-T440 | 油门拉杆 | ROD,GOVERNOR | 1 |
| 5 | 171490003-T440 | 阻风门杆 | ROD,THROTTLE | 1 |
| | | | | |
| | | | | |