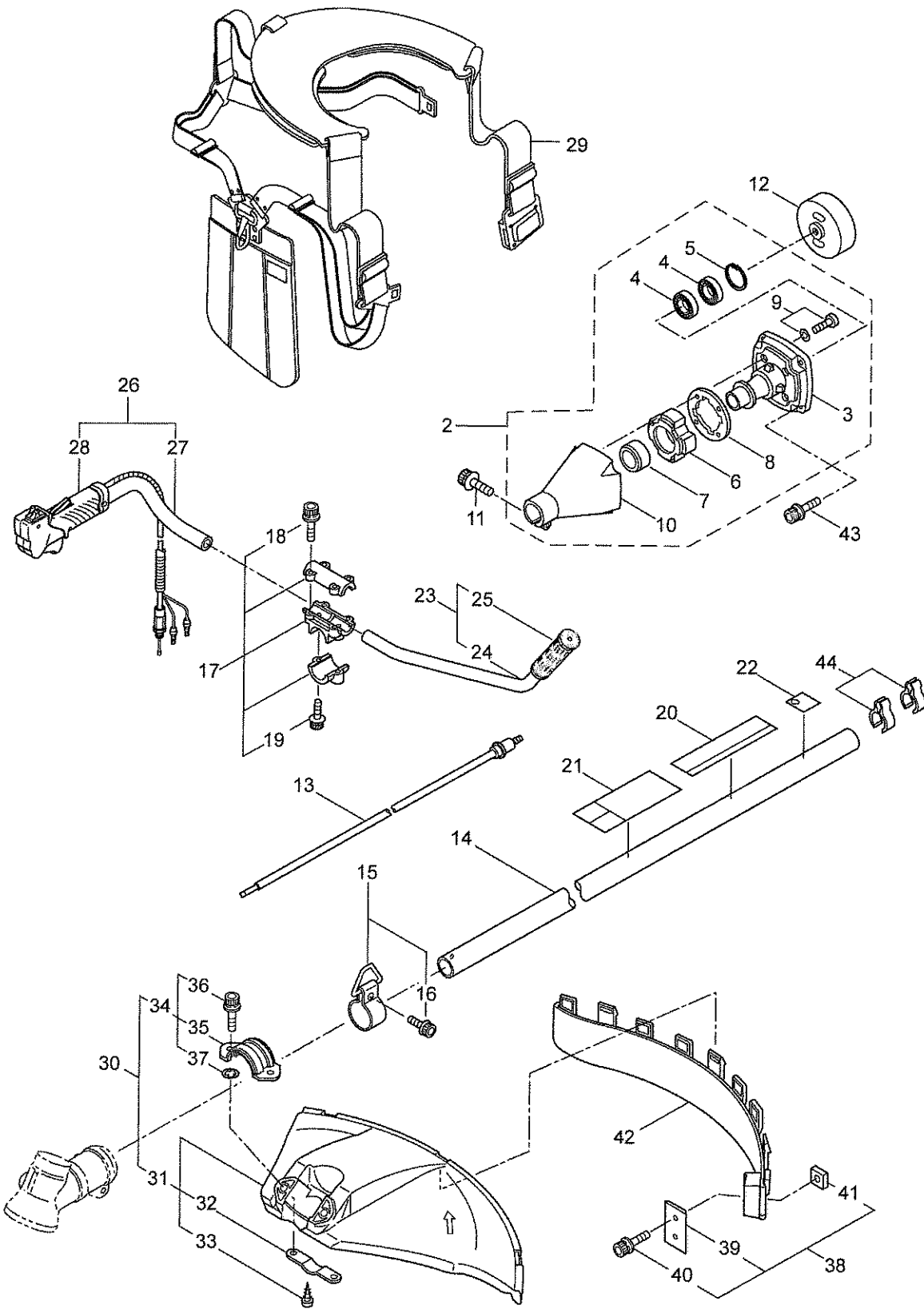


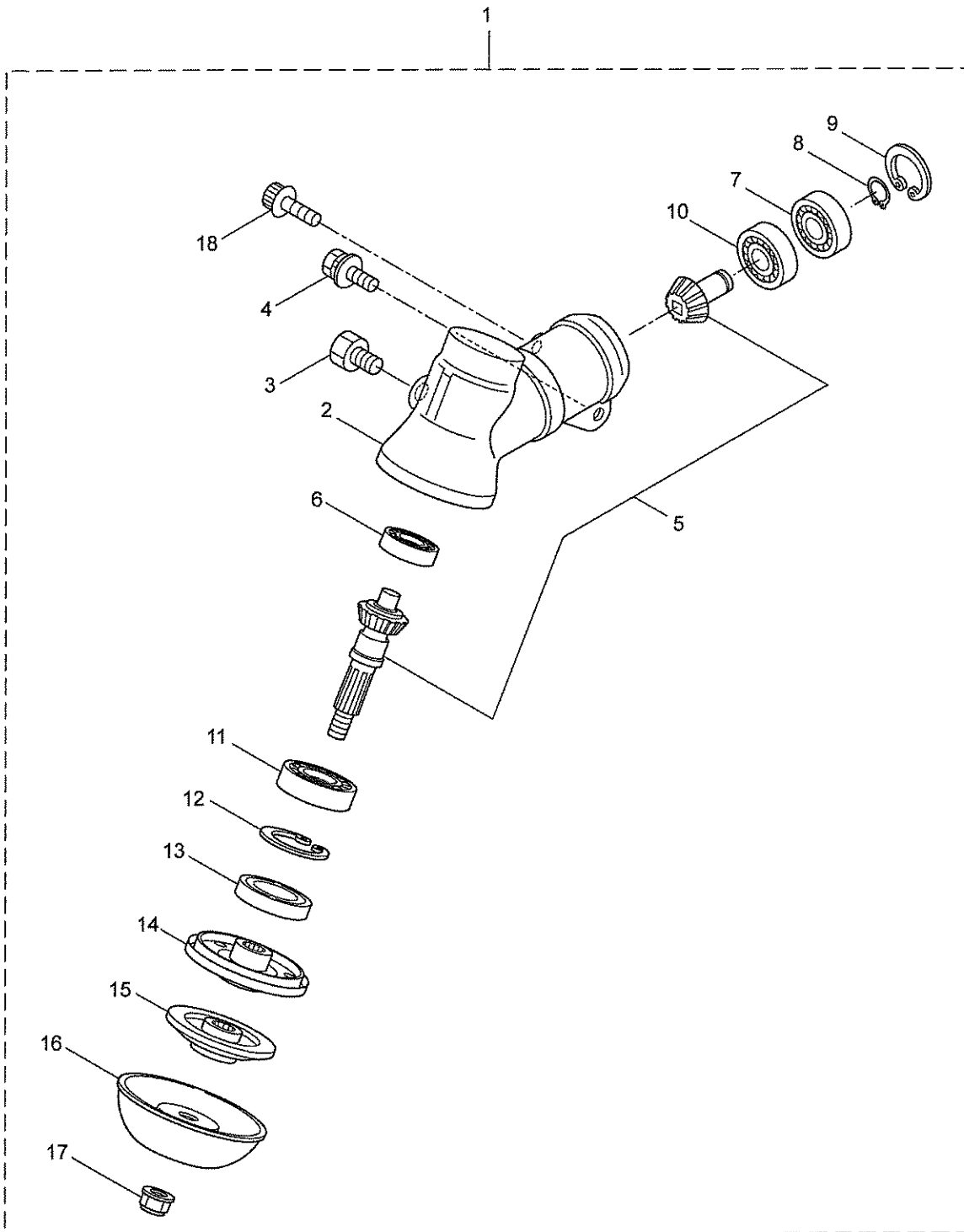
PARTS LIST

1. BC5020H-RS/(1P) MAIN BODY



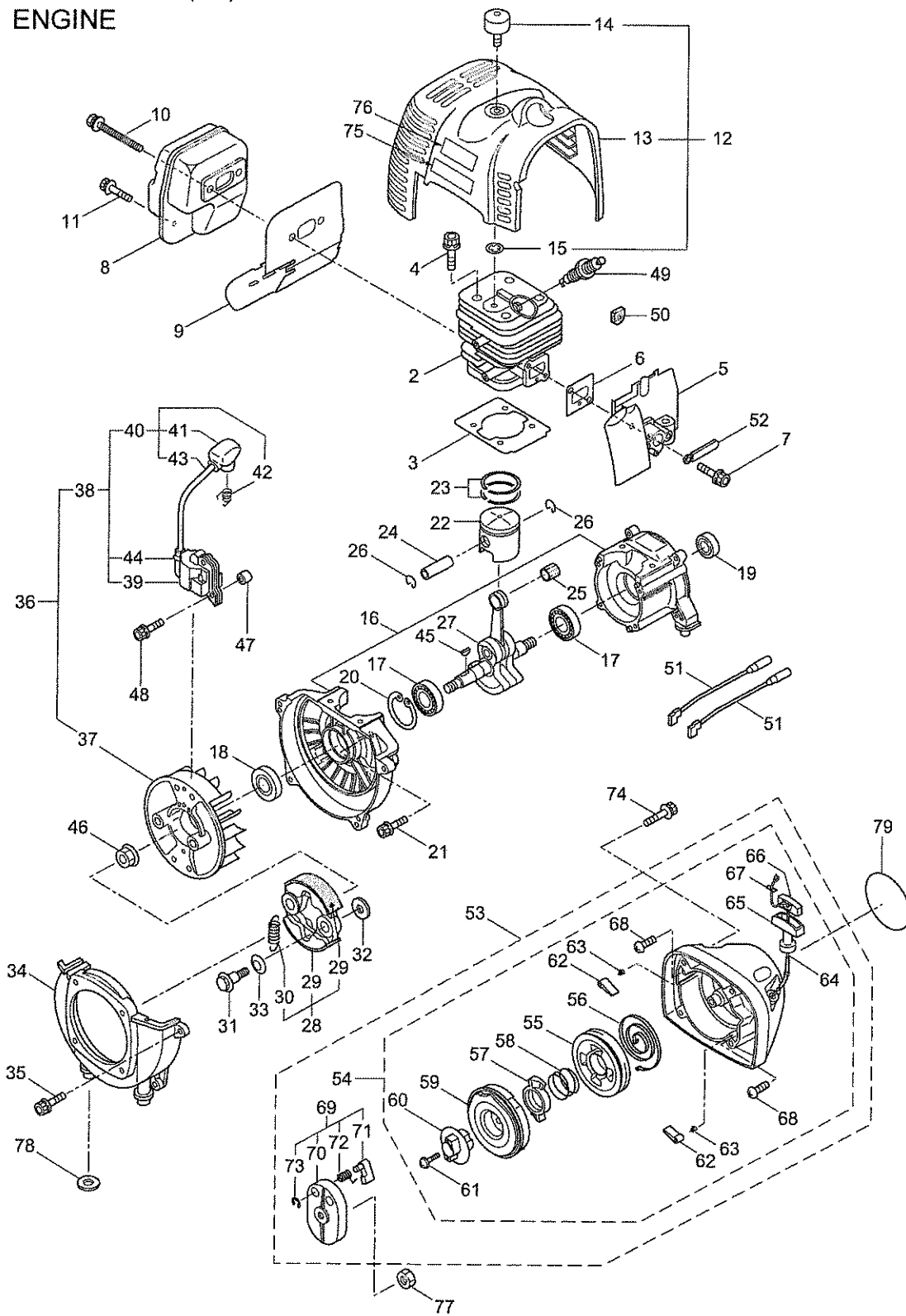
| Ref.No. | Part No. |
|---------|----------|
| 1-1 | 364122 |
| 1-1 | 364439 |
| 1-2 | 234162 |
| 1-3 | 234143 |
| 1-4 | 140474 |
| 1-5 | 012380 |
| 1-6 | 217045 |
| 1-7 | 217046 |
| 1-8 | 217047 |
| 1-9 | 092033 |
| 1-10 | 227728 |
| 1-11 | 217134 |
| 1-12 | 211203 |
| 1-13 | 217897 |
| 1-14 | 217900 |
| 1-15 | 231887 |
| 1-16 | 261762 |
| 1-17 | 231888 |
| 1-18 | 217138 |
| 1-19 | 217134 |
| 1-20 | 228755 |
| 1-21 | 223188 |
| 1-22 | 228207 |
| 1-23 | 228398 |
| 1-24 | 228399 |
| 1-25 | 226512 |
| 1-26 | 229762 |
| 1-27 | 228401 |
| 1-28 | 229763 |
| 1-29 | 228086 |
| 1-30 | 232092 |
| 1-31 | 231262 |
| 1-32 | 237364 |
| 1-33 | 221580 |
| 1-34 | 232093 |
| 1-35 | 223179 |
| 1-36 | 220632 |
| 1-37 | 231704 |
| 1-38 | 231882 |
| 1-39 | 230747 |
| 1-40 | 261250 |
| 1-41 | 228325 |
| 1-42 | 230748 |
| 1-43 | 219113 |
| 1-44 | 219161 |

2. BC5020H-RS/(1P)
GEARCASE



| Ref.No. | Part No. |
|---------|----------|
| 2-1 | 234835 |
| 2-2 | 232833 |
| 2-3 | 234109 |
| 2-4 | 217134 |
| 2-5 | 234349 |
| 2-6 | 014490 |
| 2-7 | 106933 |
| 2-8 | 014210 |
| 2-9 | 054676 |
| 2-10 | 014490 |
| 2-11 | 012544 |
| 2-12 | 012380 |
| 2-13 | 232049 |
| 2-14 | 232322 |
| 2-15 | 232052 |
| 2-16 | 230849 |
| 2-17 | 232920 |
| 2-18 | 217135 |

3. BC5020H-RS/(1P) ENGINE



| Ref.No. | Part No. |
|---------|----------|
| 3-1 | 858302 |
| 3-2 | 283076 |
| 3-3 | 282259 |
| 3-4 | 261612 |
| 3-5 | 282261 |
| 3-6 | 282262 |
| 3-7 | 267290 |
| 3-8 | 282264 |
| 3-9 | 282271 |
| 3-10 | 266713 |
| 3-11 | 283315 |
| 3-12 | 286390 |
| 3-13 | 282274 |
| 3-14 | 285843 |
| 3-15 | 286362 |
| 3-16 | 282277 |
| 3-17 | 262658 |
| 3-18 | 262660 |
| 3-19 | 262565 |
| 3-20 | 012380 |
| 3-21 | 261612 |
| 3-22 | 283675 |
| 3-23 | 282941 |
| 3-24 | 262749 |
| 3-25 | 262659 |
| 3-26 | 262479 |
| 3-27 | 283038 |
| 3-28 | 282743 |
| 3-29 | 282624 |
| 3-30 | 263617 |
| 3-31 | 283671 |
| 3-32 | 262683 |
| 3-33 | 262682 |
| 3-34 | 282285 |
| 3-35 | 261250 |
| 3-36 | 282287 |
| 3-37 | 282288 |
| 3-38 | 282289 |
| 3-39 | 267572 |
| 3-40 | 282290 |
| 3-41 | 282292 |
| 3-42 | 261075 |
| 3-43 | 282291 |
| 3-44 | 261072 |
| 3-45 | 261076 |

| Ref.No. | Part No. |
|---------|----------|
| 3-74 | 261607 |
| 3-75 | 262714 |
| 3-76 | 265694 |
| 3-77 | 126990 |
| 3-78 | 285735 |
| 3-79 | 283284 |

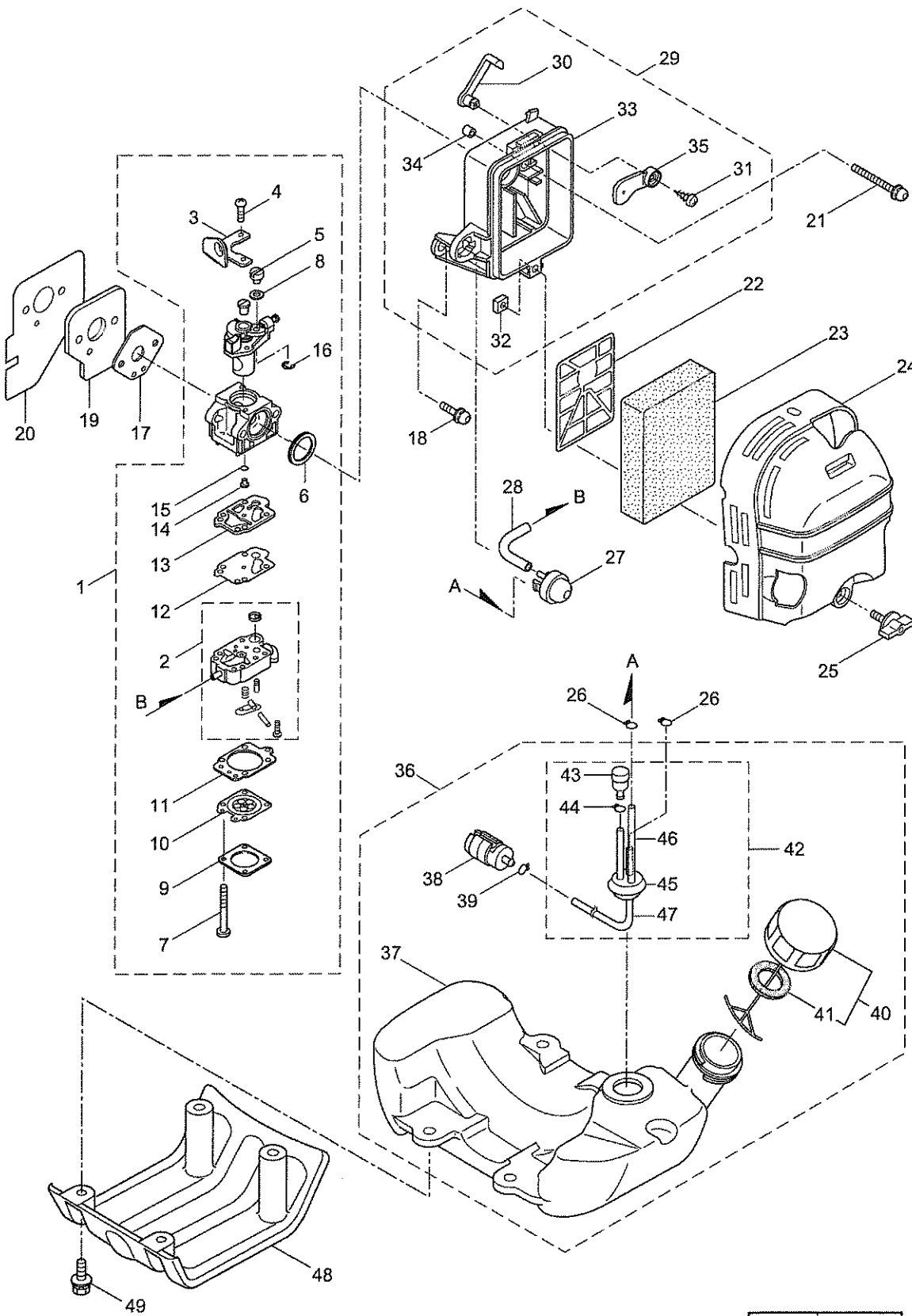
| Ref.No. | Part No. |
|---------|----------|
| 3-67 | 281005 |
| 3-68 | 282622 |
| 3-69 | 282623 |
| 3-70 | 282282 |
| 3-71 | 262636 |
| 3-72 | 262637 |
| 3-73 | 262638 |

| Ref.No. | Part No. |
|---------|----------|
| 3-60 | 280999 |
| 3-61 | 281000 |
| 3-62 | 281001 |
| 3-63 | 281002 |
| 3-64 | 281004 |
| 3-65 | 262633 |
| 3-66 | 262981 |

| Ref.No. | Part No. |
|---------|----------|
| 3-53 | 282294 |
| 3-54 | 282295 |
| 3-55 | 280994 |
| 3-56 | 280995 |
| 3-57 | 280996 |
| 3-58 | 280997 |
| 3-59 | 283123 |

| Ref.No. | Part No. |
|---------|----------|
| 3-46 | 262731 |
| 3-47 | 280381 |
| 3-48 | 283669 |
| 3-49 | 262483 |
| 3-50 | 281172 |
| 3-51 | 267492 |
| 3-52 | 264588 |

4. BC5020H-RS/(1P)
CARBURETOR, FUEL TANK



| Ref.No. | Part No. |
|---------|----------|
| 4-1 | 284109 |
| 4-2 | 283124 |
| 4-3 | 264677 |
| 4-4 | 261875 |
| 4-5 | 261658 |
| 4-6 | 261657 |
| 4-7 | 263737 |
| 4-8 | 264678 |
| 4-9 | 263726 |
| 4-10 | 283905 |
| 4-11 | 263727 |
| 4-12 | 262994 |
| 4-13 | 282576 |
| 4-14 | 283125 |
| 4-15 | 261871 |
| 4-16 | 261876 |
| 4-17 | 282301 |
| 4-18 | 264807 |
| 4-19 | 283086 |
| 4-20 | 283087 |
| 4-21 | 262720 |
| 4-22 | 282481 |
| 4-23 | 282306 |
| 4-24 | 282307 |
| 4-25 | 281438 |
| 4-26 | 261117 |
| 4-27 | 282299 |
| 4-28 | 282512 |
| 4-29 | 282302 |
| 4-30 | 282305 |
| 4-31 | 269032 |
| 4-32 | 269423 |
| 4-33 | 282303 |
| 4-34 | 282484 |
| 4-35 | 282304 |
| 4-36 | 282309 |
| 4-37 | 282310 |
| 4-38 | 267328 |
| 4-39 | 261117 |
| 4-40 | 275306 |
| 4-41 | 274875 |
| 4-42 | 282312 |
| 4-43 | 261590 |
| 4-44 | 261117 |
| 4-45 | 268065 |

| Ref.No. | Part No. |
|---------|----------|
| 4-46 | 282511 |
| 4-47 | 262649 |
| 4-48 | 285757 |
| 4-49 | 281714 |

5. BC5020H-RS/(1P)
ACCESSORIES

| Ref.No. | Part No. |
|---------|----------|
| 5-1 | 228008 |
| 5-2 | 054756 |
| 5-3 | 212300 |
| 5-4 | 219432 |
| 5-5 | 219433 |
| 5-6 | 220534 |
| 5-7 | 227910 |
| 5-8 | 234901 |
| 5-9 | 233234 |
| 5-10 | 233326 |
| 5-11 | 233336 |
| 5-12 | 523500 |

