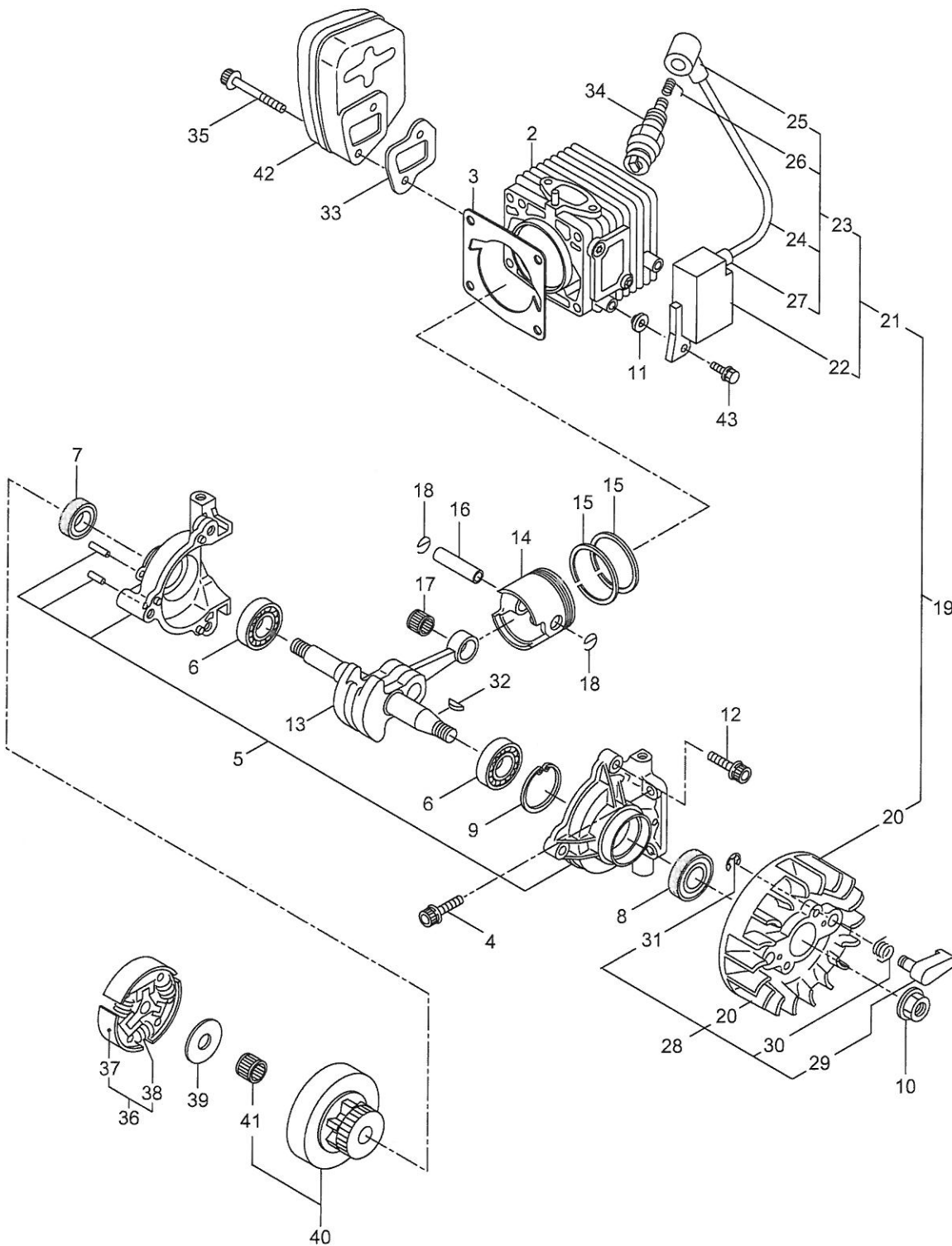


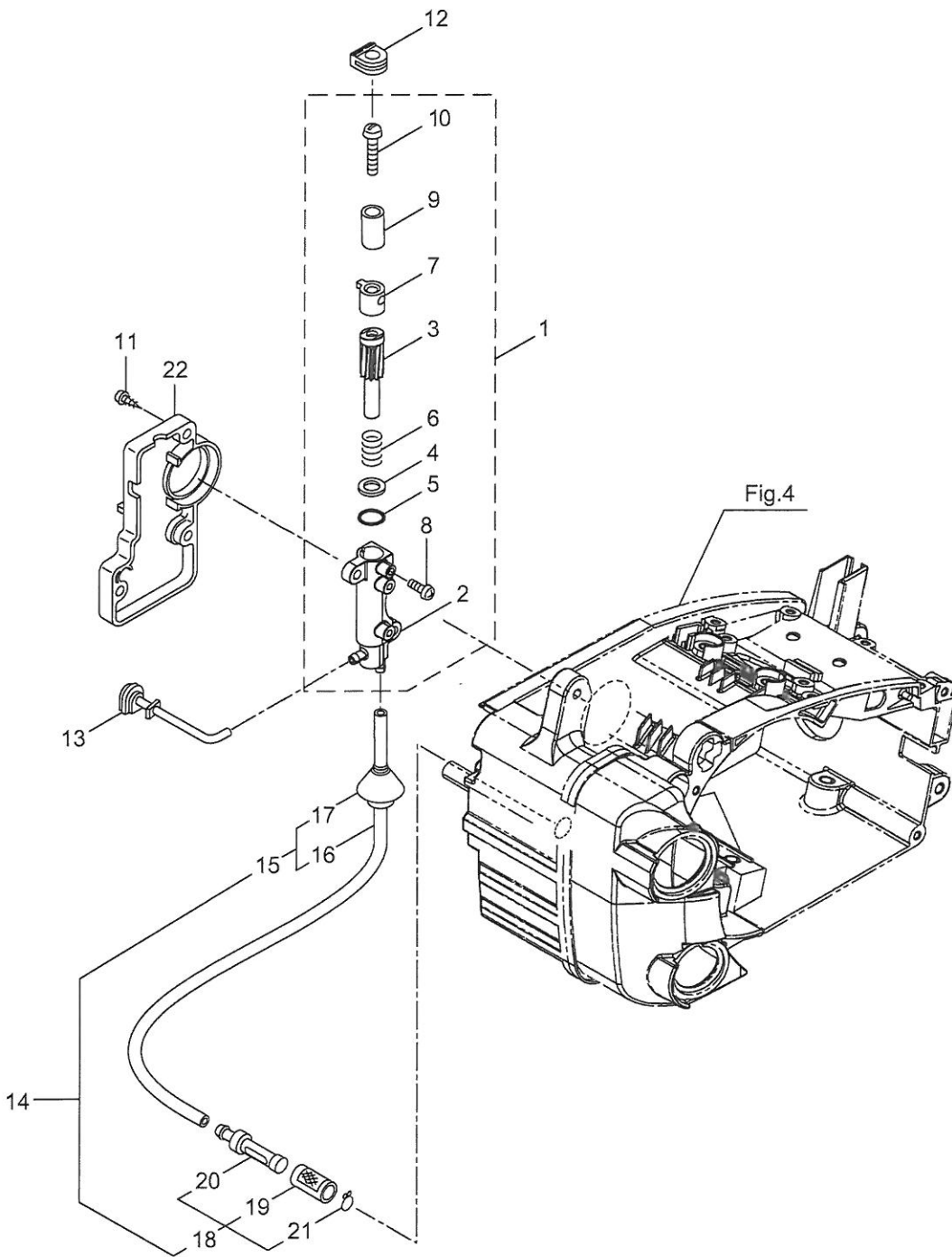
PARTS LIST

1. MCV3101TS(12)-01 ENGINE



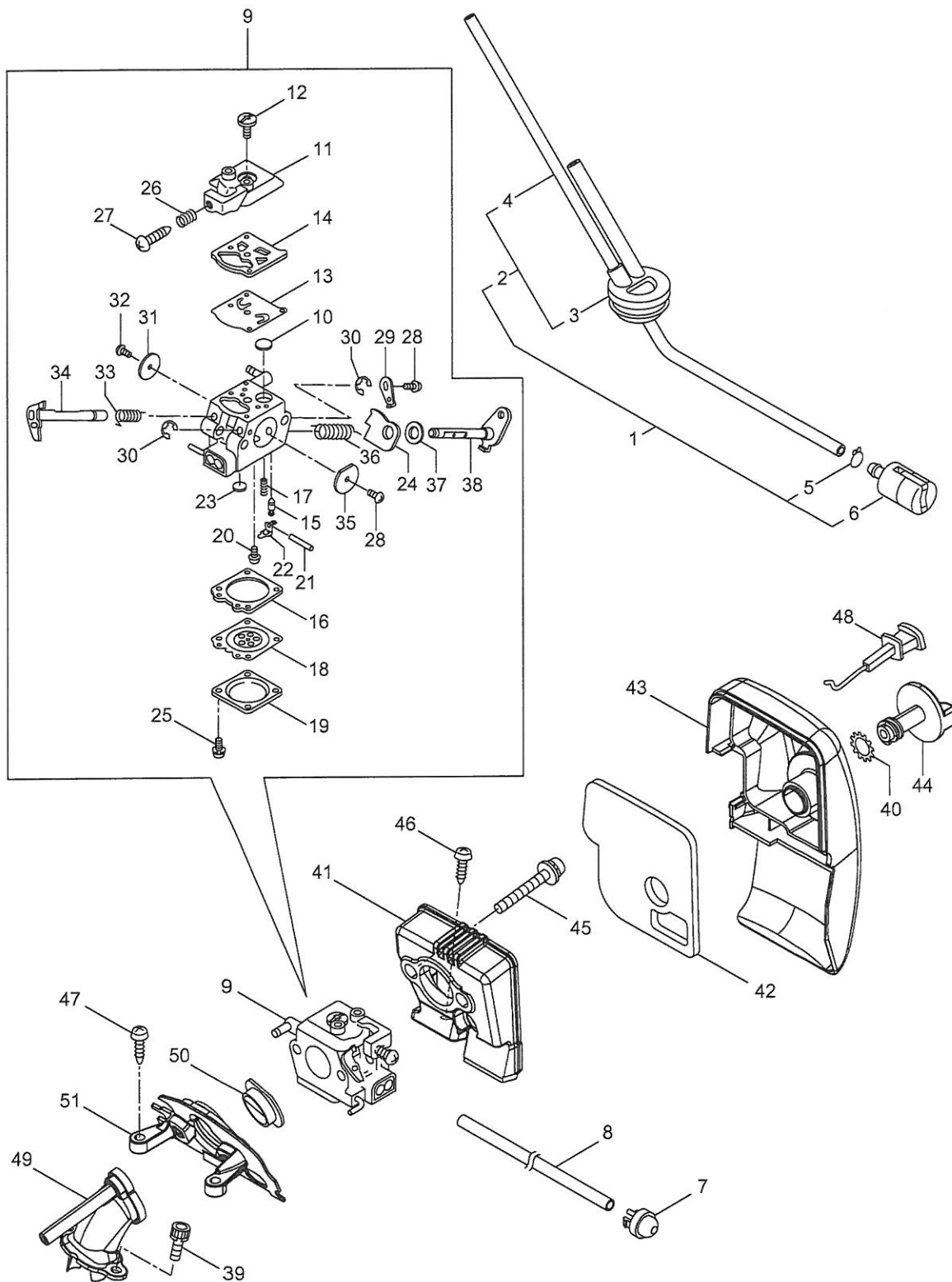
| Ref.No. | Part No. |
|---------|----------|
| 1-1 | 362842 |
| 1-2 | 279300 |
| 1-3 | 278403 |
| 1-4 | 261250 |
| 1-5 | 278868 |
| 1-6 | 285521 |
| 1-7 | 285626 |
| 1-8 | 261492 |
| 1-9 | 055185 |
| 1-10 | 261417 |
| 1-11 | 289481 |
| 1-12 | 261232 |
| 1-13 | 285599 |
| 1-14 | 273265 |
| 1-15 | 285590 |
| 1-16 | 285591 |
| 1-17 | 261037 |
| 1-18 | 261576 |
| 1-19 | 289489 |
| 1-20 | 285555 |
| 1-21 | 289548 |
| 1-22 | 289650 |
| 1-23 | 286096 |
| 1-24 | 286097 |
| 1-25 | 261074 |
| 1-26 | 261075 |
| 1-27 | 261072 |
| 1-28 | 288365 |
| 1-29 | 285553 |
| 1-30 | 285552 |
| 1-31 | 020299 |
| 1-32 | 261076 |
| 1-33 | 285472 |
| 1-34 | 288264 |
| 1-35 | 264223 |
| 1-36 | 285535 |
| 1-37 | 285655 |
| 1-38 | 285656 |
| 1-39 | 285537 |
| 1-40 | 279858 |
| 1-41 | 278744 |
| 1-42 | 276332 |
| 1-43 | 281211 |

2. MCV3101TS(12)-01
OIL PUMP



| Ref.No. | Part No. |
|---------|----------|
| 2-1 | 278745 |
| 2-2 | 285527 |
| 2-3 | 285909 |
| 2-4 | 286801 |
| 2-5 | 014759 |
| 2-6 | 285551 |
| 2-7 | 285534 |
| 2-8 | 285630 |
| 2-9 | 288184 |
| 2-10 | 285617 |
| 2-11 | 285631 |
| 2-12 | 285528 |
| 2-13 | 285522 |
| 2-14 | 286802 |
| 2-15 | 285523 |
| 2-16 | 265725 |
| 2-17 | 261339 |
| 2-18 | 286818 |
| 2-19 | 285524 |
| 2-20 | 285525 |
| 2-21 | 261117 |
| 2-22 | 278743 |

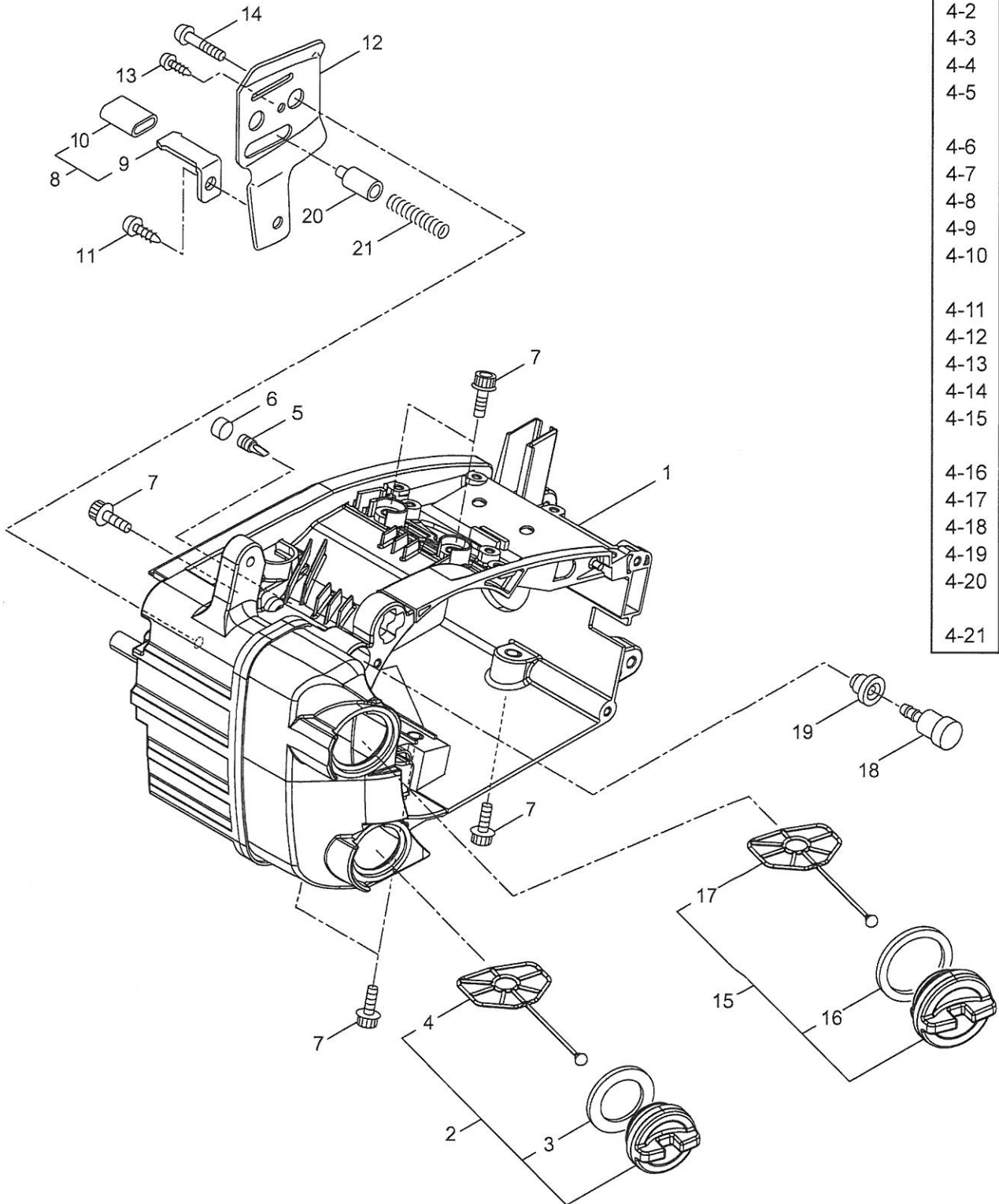
3. MCV3101TS(12)-01
CARBURETOR



| Ref.No. | Part No. |
|---------|----------|
| 3-1 | 285488 |
| 3-2 | 285489 |
| 3-3 | 285490 |
| 3-4 | 285491 |
| 3-5 | 261117 |
| 3-6 | 286749 |
| 3-7 | 282299 |
| 3-8 | 285492 |
| 3-9 | 289500 |
| 3-10 | 261872 |
| 3-11 | 287168 |
| 3-12 | 287169 |
| 3-13 | 287170 |
| 3-14 | 287171 |
| 3-15 | 262986 |
| 3-16 | 263727 |
| 3-17 | 287172 |
| 3-18 | 283905 |
| 3-19 | 263726 |
| 3-20 | 287173 |
| 3-21 | 262989 |
| 3-22 | 262990 |
| 3-23 | 287174 |
| 3-24 | 287191 |
| 3-25 | 287192 |
| 3-26 | 287178 |
| 3-27 | 287179 |
| 3-28 | 287180 |
| 3-29 | 287181 |
| 3-30 | 287182 |
| 3-31 | 287183 |
| 3-32 | 287184 |
| 3-33 | 287185 |
| 3-34 | 287186 |
| 3-35 | 287187 |
| 3-36 | 287188 |
| 3-37 | 287189 |
| 3-38 | 287190 |
| 3-39 | 285618 |
| 3-40 | 288404 |
| 3-41 | 285539 |
| 3-42 | 285584 |
| 3-43 | 285579 |
| 3-44 | 285540 |
| 3-45 | 285633 |

| Ref.No. | Part No. |
|---------|----------|
| 3-46 | 285631 |
| 3-47 | 285631 |
| 3-48 | 285580 |
| 3-49 | 285495 |
| 3-50 | 288551 |
| 3-51 | 285497 |

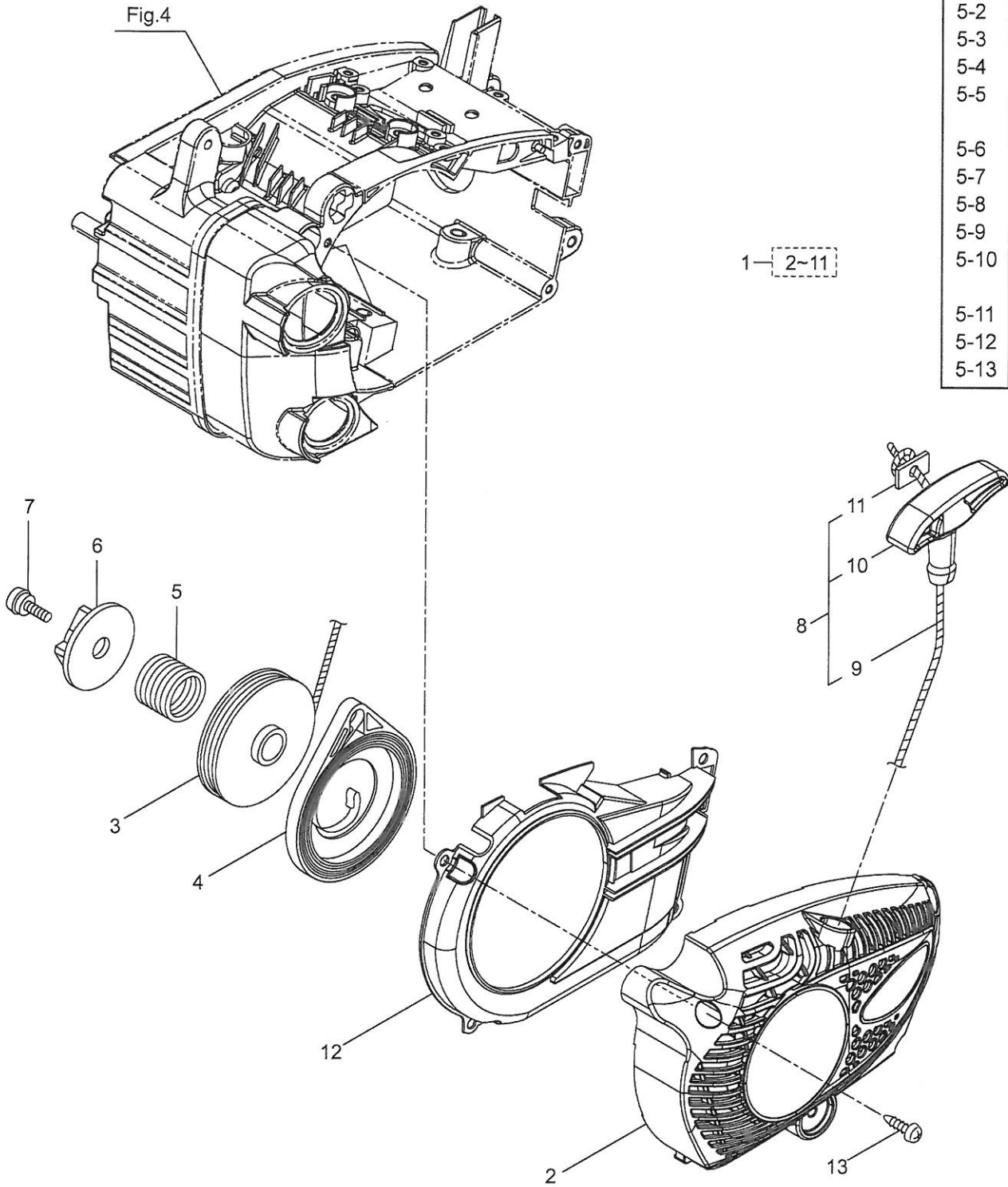
4. MCV3101TS(12)-01
ENGINE CASE



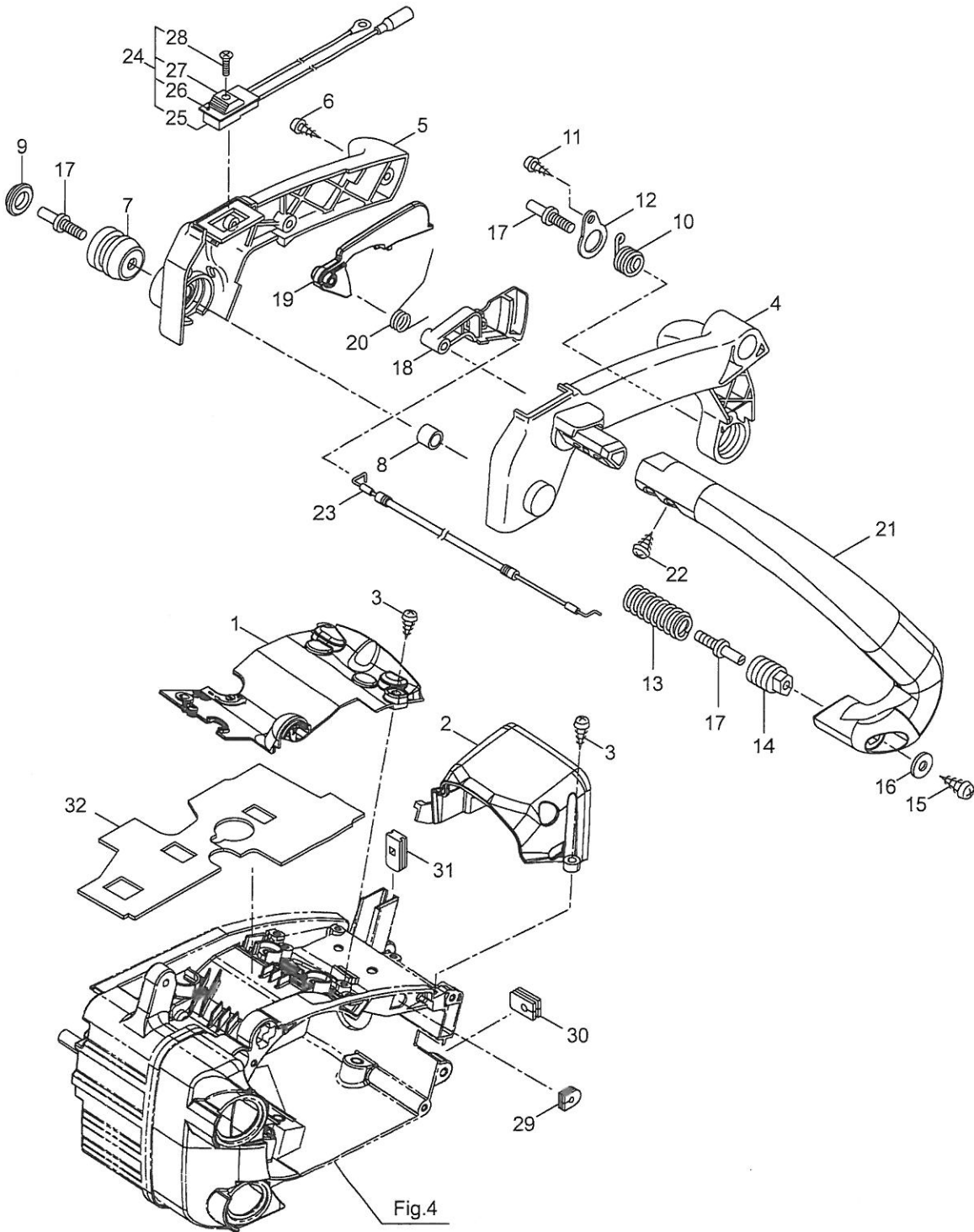
| Ref.No. | Part No. |
|---------|----------|
| 4-1 | 285694 |
| 4-2 | 285501 |
| 4-3 | 285503 |
| 4-4 | 285504 |
| 4-5 | 285574 |
| 4-6 | 285526 |
| 4-7 | 285632 |
| 4-8 | 286803 |
| 4-9 | 285583 |
| 4-10 | 285585 |
| 4-11 | 285634 |
| 4-12 | 285531 |
| 4-13 | 285627 |
| 4-14 | 286804 |
| 4-15 | 286051 |
| 4-16 | 286063 |
| 4-17 | 285504 |
| 4-18 | 285832 |
| 4-19 | 285573 |
| 4-20 | 285628 |
| 4-21 | 285629 |

5. MCV3101TS(12)-01
RECOIL STARTER

| Ref.No. | Part No. |
|---------|----------|
| 5-1 | 285577 |
| 5-2 | 285695 |
| 5-3 | 283274 |
| 5-4 | 283275 |
| 5-5 | 283276 |
| 5-6 | 285597 |
| 5-7 | 267213 |
| 5-8 | 285697 |
| 5-9 | 283279 |
| 5-10 | 285581 |
| 5-11 | 283281 |
| 5-12 | 285548 |
| 5-13 | 285631 |

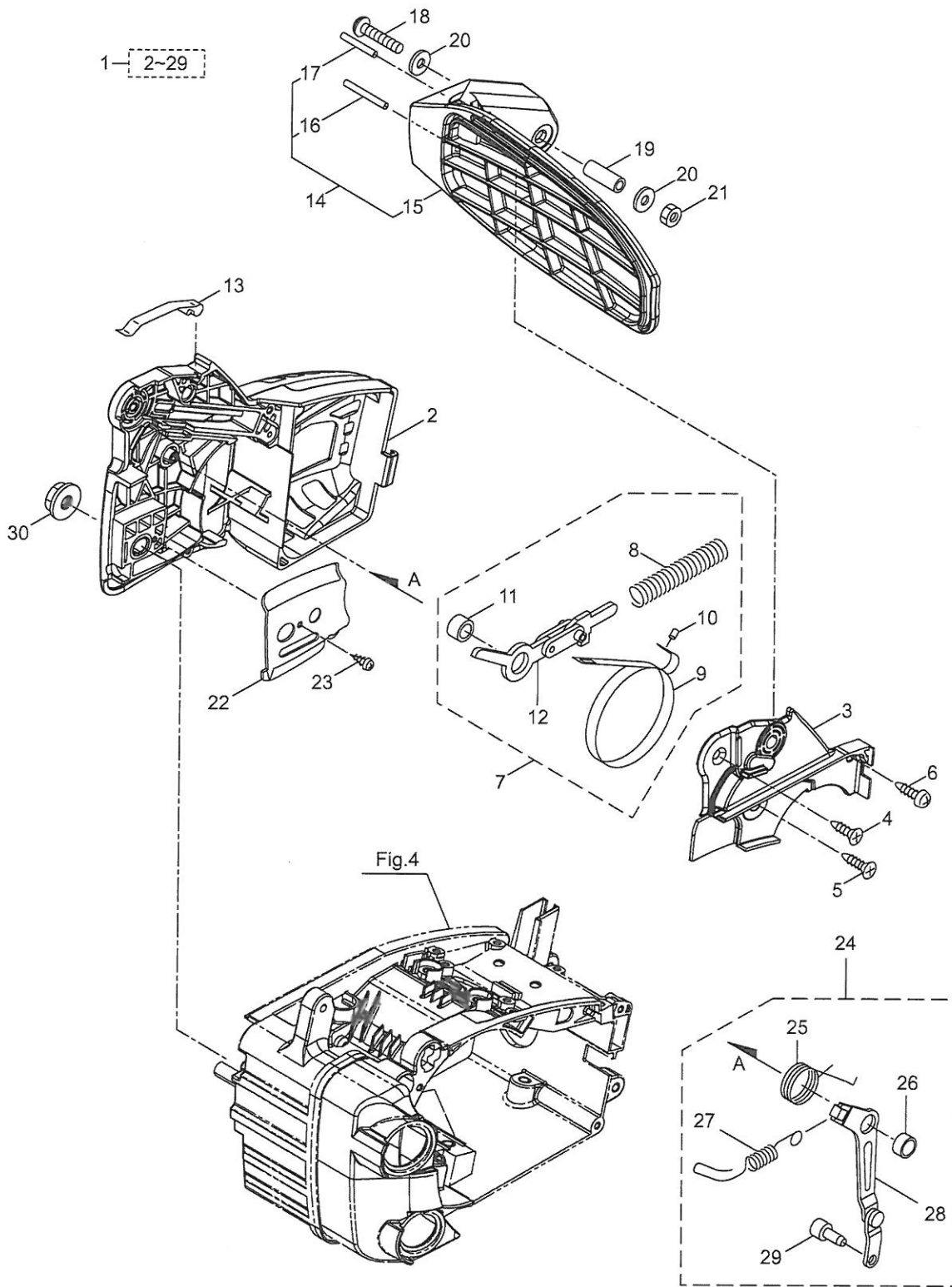


6. MCV3101TS(12)-01
HANDLE



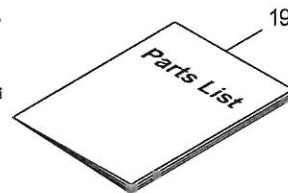
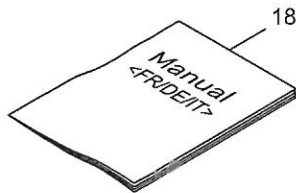
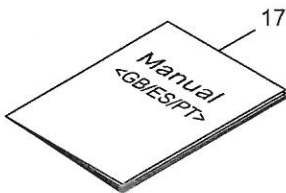
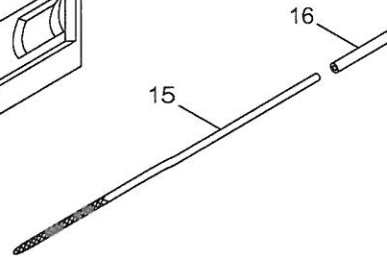
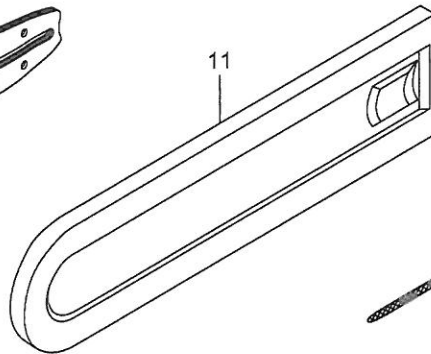
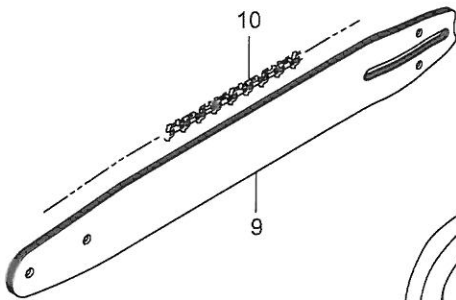
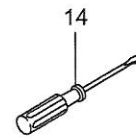
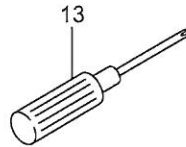
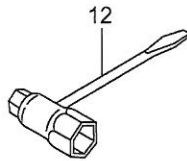
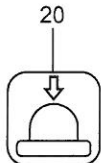
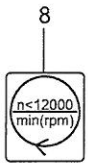
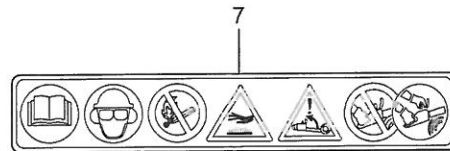
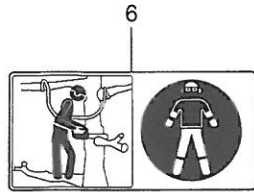
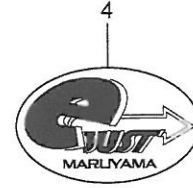
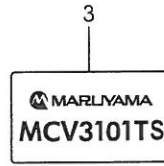
| Ref.No. | Part No. |
|---------|----------|
| 6-1 | 285547 |
| 6-2 | 286072 |
| 6-3 | 285631 |
| 6-4 | 285620 |
| 6-5 | 285621 |
| 6-6 | 285635 |
| 6-7 | 285582 |
| 6-8 | 285565 |
| 6-9 | 285473 |
| 6-10 | 285592 |
| 6-11 | 285644 |
| 6-12 | 285645 |
| 6-13 | 285593 |
| 6-14 | 285604 |
| 6-15 | 285636 |
| 6-16 | 263743 |
| 6-17 | 285474 |
| 6-18 | 285602 |
| 6-19 | 285603 |
| 6-20 | 285594 |
| 6-21 | 285619 |
| 6-22 | 285634 |
| 6-23 | 285558 |
| 6-24 | 286224 |
| 6-25 | 286225 |
| 6-26 | 286226 |
| 6-27 | 282171 |
| 6-28 | 282172 |
| 6-29 | 287300 |
| 6-30 | 285549 |
| 6-31 | 285642 |
| 6-32 | 286002 |

7. MCV3101TS(12)-01
CHAIN CASE



| Ref.No. | Part No. |
|---------|----------|
| 7-1 | 287044 |
| 7-2 | 285576 |
| 7-3 | 285622 |
| 7-4 | 285637 |
| 7-5 | 285639 |
| 7-6 | 285644 |
| 7-7 | 286823 |
| 7-8 | 285605 |
| 7-9 | 285572 |
| 7-10 | 285560 |
| 7-11 | 285606 |
| 7-12 | 285570 |
| 7-13 | 285595 |
| 7-14 | 286057 |
| 7-15 | 285578 |
| 7-16 | 285563 |
| 7-17 | 286048 |
| 7-18 | 285638 |
| 7-19 | 285607 |
| 7-20 | 286045 |
| 7-21 | 285640 |
| 7-22 | 285532 |
| 7-23 | 285627 |
| 7-24 | 286034 |
| 7-25 | 285596 |
| 7-26 | 285608 |
| 7-27 | 289726 |
| 7-28 | 285609 |
| 7-29 | 285614 |
| 7-30 | 283041 |

8. MCV3101TS(12)-01
ACCESSORIES



| Ref.No. | Part No. |
|---------|----------|
| 8-1 | 287256 |
| 8-2 | 287255 |
| 8-3 | 273029 |
| 8-4 | 287160 |
| 8-5 | 273036 |
| 8-6 | 287653 |
| 8-7 | 287161 |
| 8-8 | 287616 |
| 8-9 | 285483 |
| 8-10 | 289537 |
| 8-11 | 285557 |
| 8-12 | 288652 |
| 8-13 | 285732 |
| 8-14 | 286865 |
| 8-15 | 285729 |
| 8-16 | 285730 |
| 8-17 | 274914 |
| 8-18 | 274915 |
| 8-19 | 523847 |
| 8-20 | 272020 |