



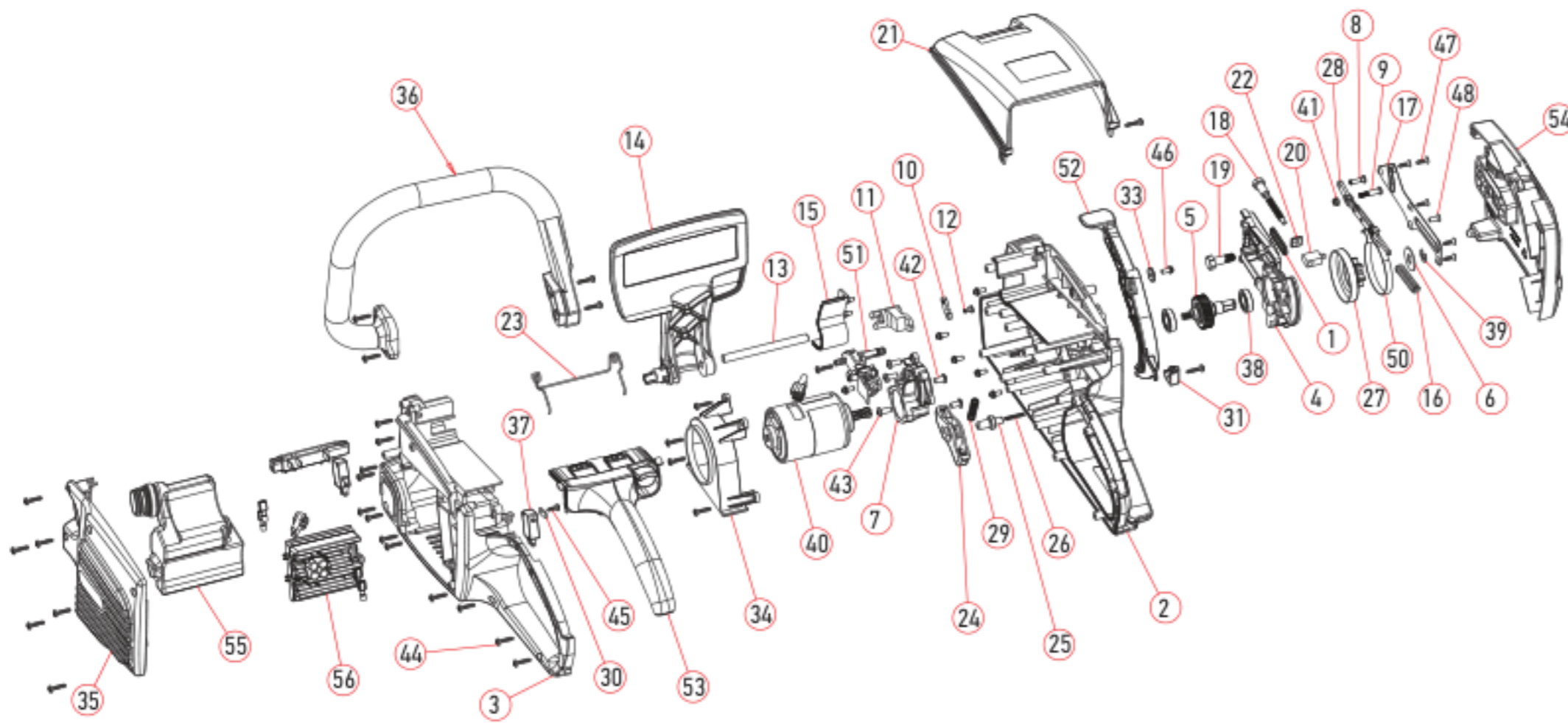
Outdoor Product Equipment

Replacement Part Kits



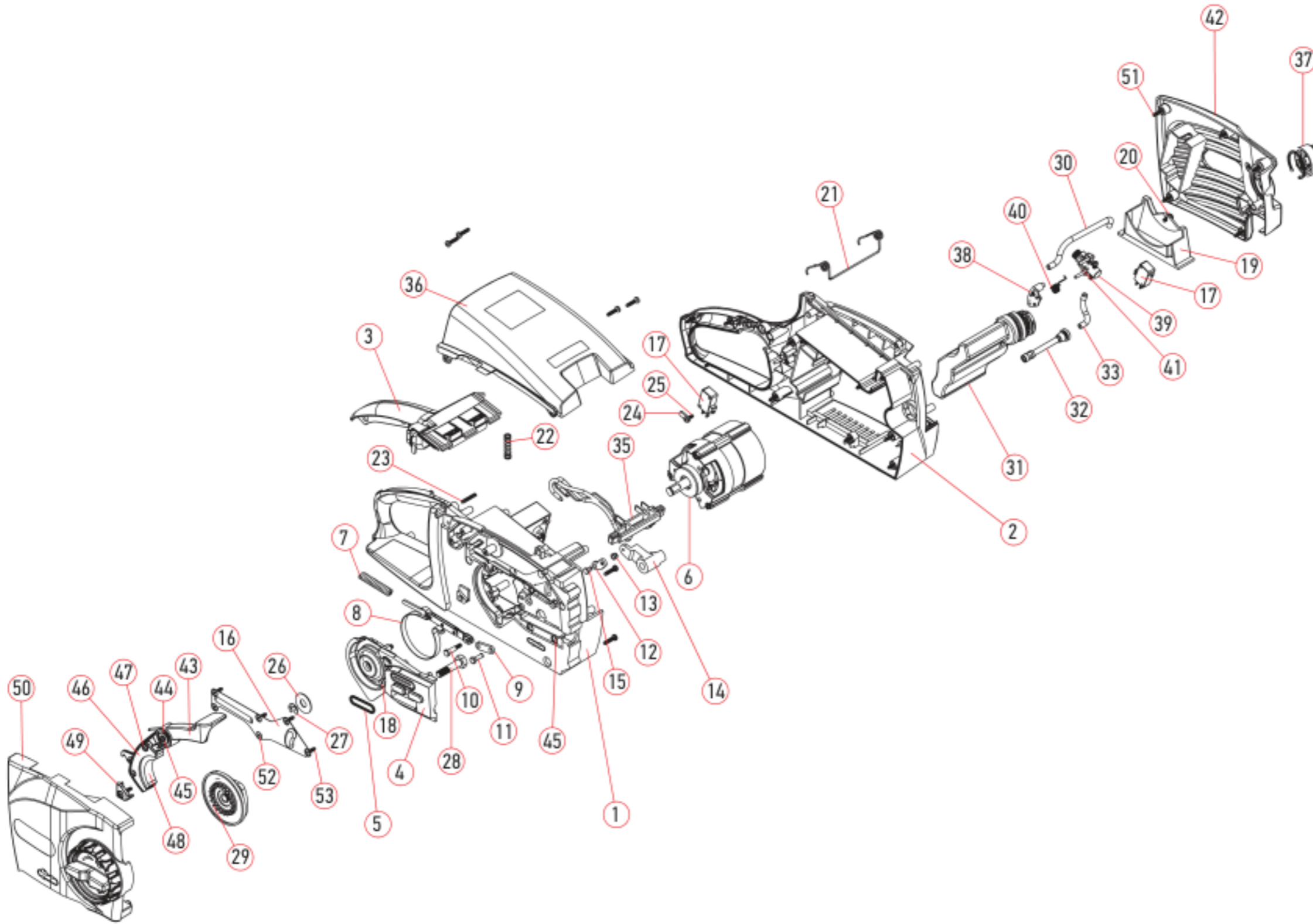
Table of Contents

BL300 Blower	4
CS250 Chain Saw	5
CS300 Chain Saw	6
CS1500 Chain Saw	7
HT250 Hedge Trimmer	8
HT255 Hedge Trimmer	9
LM300 Lawn Mower	10
LM400 Lawn Mower	11
PS250 Pole Saw	12
SH2200 Shredder	13
ST275 String Trimmer	14
PH600 Multi-Attachment Powerhead	15
BC600 Brush Cutter Attachment	16
BR600 Sweeper Attachment	17
CU600 Cultivator Attachment	18
EG600 Edger Attachment	19
HT600 Hedge Trimmer Attachment	20
PS600 Pole Saw Attachment	21
ST600 EU String Trimmer Attachment	22
ST600 NA String Trimmer Attachment	23



No.	Name	Kit Part Number	Quantity
1	O-ring, Bar Pad	546580	1
2	Case, Right	N/A	1
3	Case, Left	N/A	1
4	Chassis	N/A	1
5	Shaft, 31 Tooth	N/A	1
6	Shaft Washer, CS250/CS300	N/A	1
7	Gearbox	N/A	1
8	Brake Pin 2, CS250/CS300	N/A	1
9	Brake Pin 1, CS250/CS300	N/A	1
10	Brake Link 5, CS250/CS300	N/A	1
11	Brake Lever, CS250/CS300	N/A	1
12	Brake Pin 3, CS250/CS300	N/A	1
13	Handguard Axle	N/A	1
14	Handguard	N/A	1
15	Case, Handguard Insert	N/A	1
16	Brake Spring, CS250/CS300	N/A	1
17	Brake Cover Plate, CS250/CS300	549519	1
18	Tensioner Screw	546623	1
19	Bar Stud	549523	1
20	Tensioner Pin	N/A	1
21	Top Cover, CS250/CS300	N/A	1
22	Tensioner Retainer	N/A	1
23	Battery Eject Spring, CS250/CS300	549528	1
24	Trigger, Short Version	N/A	1
25	Button, Interlock	N/A	1
26	Interlock Button Spring, CS250/CS300	N/A	1
27	Sprocket, 3/8 Pitch	546622	1
28	Brake Link 4, CS250/CS300	N/A	1
29	Trigger Spring, CS250/CS300	N/A	1
30	Switch Capture Clamp, CS250/CS300	N/A	1
31	Powersharp Arm Retainer, CS250/CS300	546620	1
32	Powersharp Stone Holder, Integrated	546620	1
33	Powersharp Arm Washer, CS250/CS300	546620	1
34	Exhaust Shroud	549550	1
35	Motor Cover	N/A	1
36	Front Handle	N/A	1
37	Micro Switch, Jiaben	551298	2
38	Bearing, 24 x 12 x 16	N/A	2
39	E-clip, Output Shaft, CS250/CS300	N/A	1
40	Pmdc Motor	551320	1
41	Nut, M4	N/A	1
42	Screw, M5 x 0.8 x 10 mm, BH, Torx	N/A	2
43	Screw, M5 x 0.8 x 12 mm, BH, Torx	N/A	3
44	Screw, K40 x 16 BH, Torx	N/A	30
45	Screw, K40 x 10 BH, Torx	N/A	1
46	Screw, M4 x 0.7 x 10 mm, BH, Torx (Paw)	N/A	8
47	Screw, K40 x 12 CSh, Torx	N/A	5
48	Screw, M4 x 0.7 x 8 mm, CSh, Torx	N/A	1
49	Screw, M4 x 0.7 x 12 mm, PH, Slotted	N/A	2
50	Brake Linkage, CS250/CS300	N/A	1
51	Oil Pump	552426	1
52	Powersharp Arm Assembly, CS250/CS300	546620	1
53	Battery Release Handle Cap, CS250/CS300	N/A	1
54	Side Cover Assembly	546621	1
55	Oil Tank Assembly	552431	1
56	Controller	559294	1
	Bar (Not Shown)	14050EA041	1
	Chain (Not Shown)	560607 NA, 566366 EU	1

CS250 Part Guide



No.	Name	Kit Part Number	Quantity
1	Case, right	N/A	1
2	Case, left	N/A	1
3	Battery Release Handle Cap, CS250/CS300	N/A	1
4	Chassis	N/A	1
5	O-Ring, Bar Oil Pad	555918	1
6	Motor	574921	1
7	Brake Spring, CS250/CS300	N/A	1
8	Brake Linkage, CS250/CS300	N/A	1
9	Brake Link 4, CS250/CS300	N/A	1
10	Brake Pin 1, CS250/CS300	N/A	1
11	Brake Pin 2, CS250/CS300	N/A	1
12	Brake Link 5, CS250/CS300	N/A	1
13	Lock Nut, M4	N/A	1
14	Brake Lever, CS250/CS300	N/A	1
15	Brake Pin 3, CS250/CS300	N/A	1
16	Brake Cover Plate, CS250/CS300	549519	1
17	Micro Switch, Jiaben	551298	2
18	M5 x 16, FHCS Torx	576413	3
19	Fan Shroud	574936	1
20	M4 x 10, BHCS Torx	576413	1
21	Battery Eject Spring, CS250/CS300	549528	1
22	Trigger Spring, CS250/CS300	N/A	1
23	Interlock Button Spring, CS250/CS300	N/A	1
24	Switch Capture Clamp, CS250/CS300	N/A	1
25	Screw, K30 x 10 BH, Torx	576413	1
26	Shaft Washer, CS250/CS300	N/A	1
27	E-Clip, Output Shaft, CS250/CS300	N/A	1
28	Bar Stud, M8	574932	1
29	Tensioner	573656	1
30	Tube, Oil Pump Output	N/A	1
31	Oil Tank	573091	1
32	Oil Filter System	573091	1
33	Tube, Oil Pump Intake	N/A	1
34	Controller	574955	1
35	Terminal Block and Wires	N/A	1
36	Top Cover, CS250/CS300	N/A	1
37	Oil Cap, Assembly	573657	1
38	Oil Pump Mount	N/A	1
39	Oil Pump	574975	1
40	Spring, Oil Pump	N/A	1
41	M3 x 20, SHCS Hex and Washer	576413	2
42	Motor Cover	N/A	1
43	PowerSharp Arm Assembly, CS250/CS300	546620	1
44	PowerSharp Arm Washer, CS250/CS300	546620	1
45	Screw, M4 x 0.7 x 10 mm, BH, Torx	576413	7
46	PowerSharp Stone Holder, integrated	546620	1
47	Screw, M4 x 0.7 x 12 mm, PH, slotted	576413	2
48	Stone, 91 PowerSharp Onboard Electric	N/A	1
49	PowerSharp Arm Retainer, CS250/CS300	546620	1
50	Side Cover	573089	1
51	Screw, K40 x 16 BH, Torx	576413	24
52	Screw, M4 x 0.7 x 8 mm, CSH, Torx	576413	1
53	Screw, K40 x 12 CSH, Torx	576413	5
54	Screw, ST4 x 16 BH, Phillips	576413	2
	Bar (not shown)	1605DEA041	
	Chain (not shown)	560507 NA, 573268 EU	

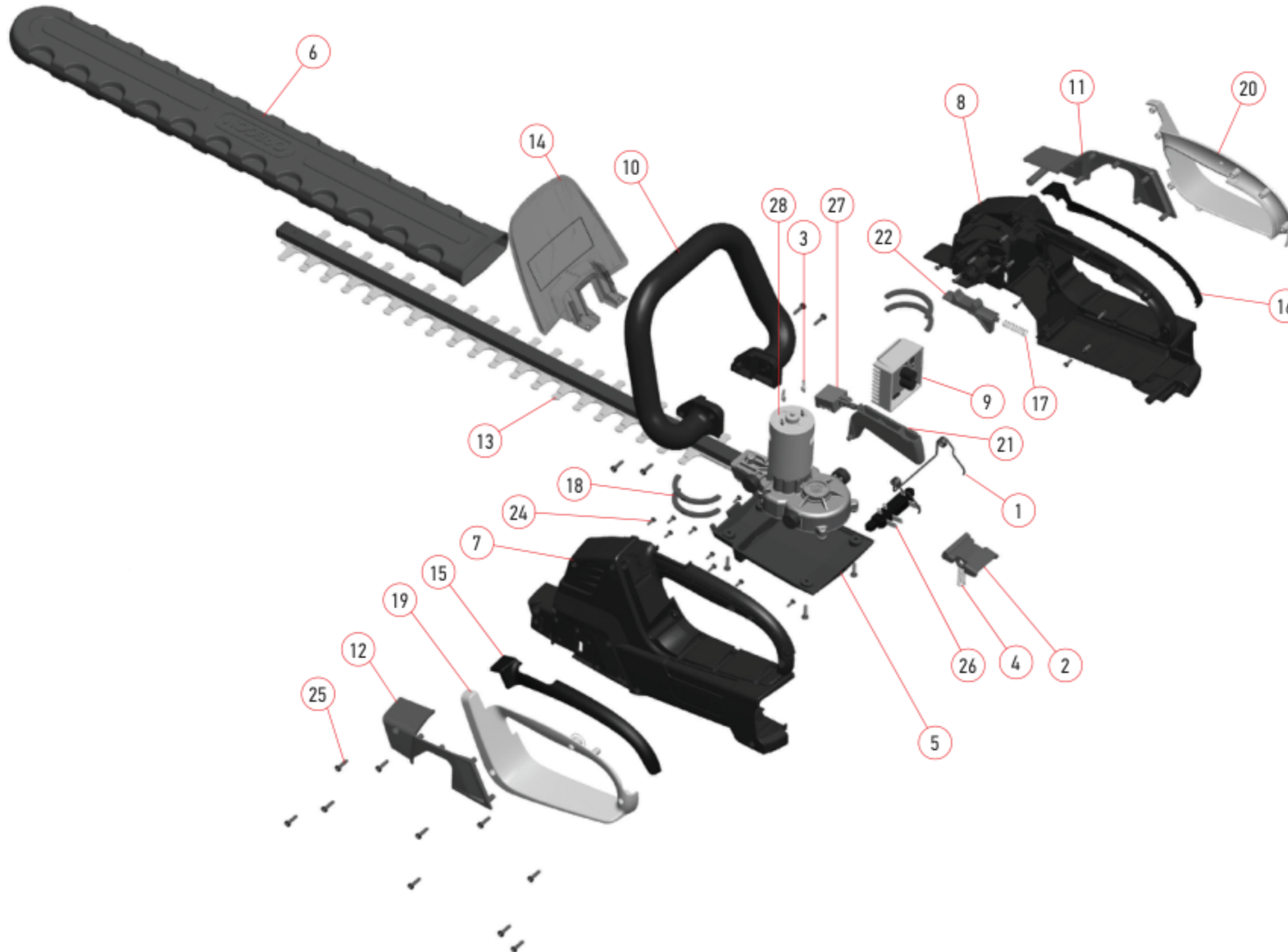
CS300 Part Guide



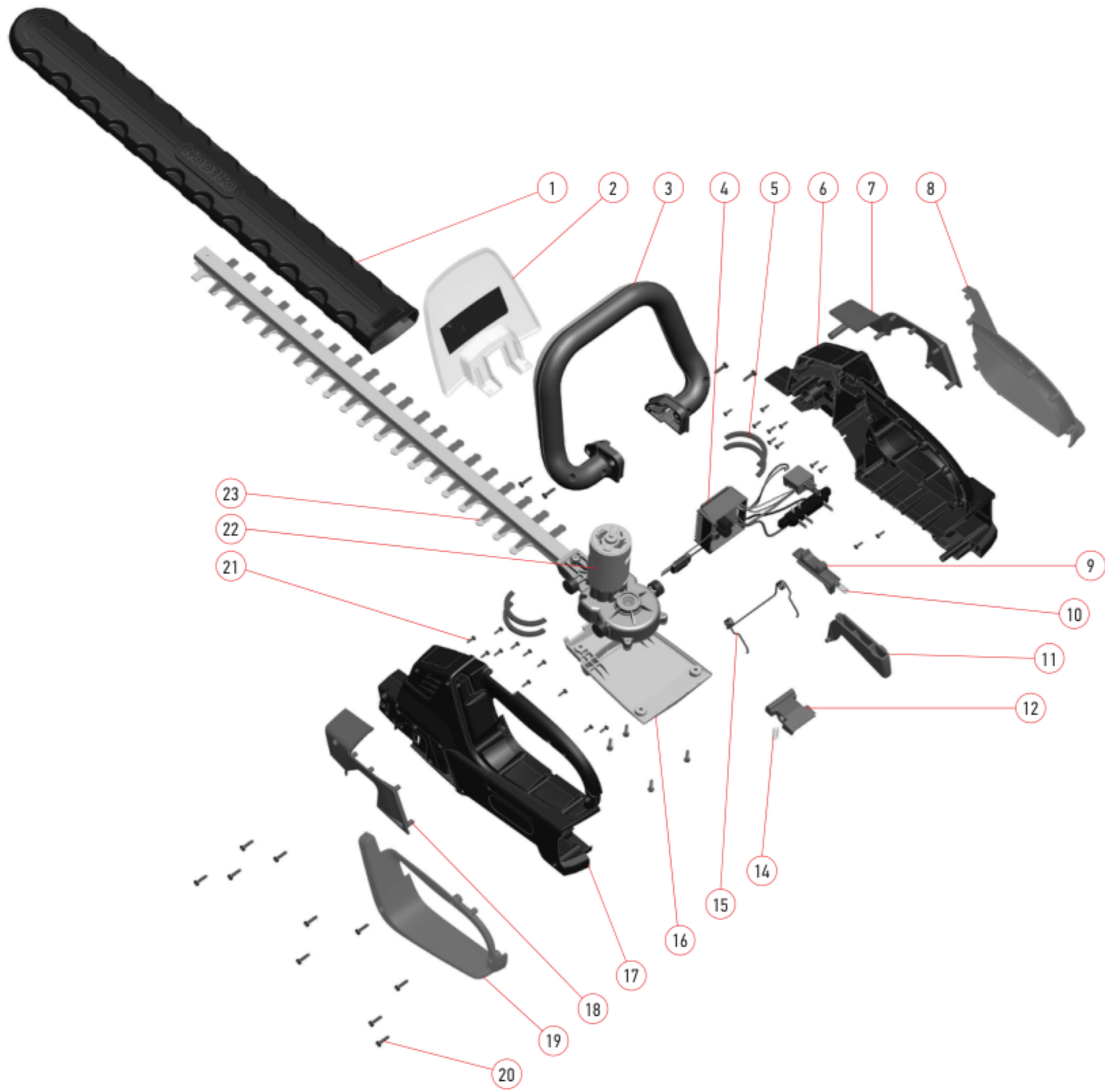
No.	Name	Kit Part Number	Quantity	No.	Name	Kit Part Number	Quantity
1	Oil Box Cap Assembly	Oil Cap Kit 570967	1	41	Self Tapping Screw		1
1-1	Oil Box Cap	Oil Cap Kit 570967	1	42	Connecting Rod Clamp		1
1-2	Seal Ring	Oil Cap Kit 570967	1	43	Self Tapping Screw		1
1-3	Hanger	Oil Cap Kit 570967	1	44	Connecting Wire		1
2	Rubber Washer		1	45	Brake Switch	NA Brake Switch Kit 571068 EU Brake Switch Kit 572392	1
3	Sponge Gasket		1	46	Self Tapping Screw		1
4	Oil Box Assembly		1	47	Transparent Oil Tube		70mm
4-1	Valve		1	48	Out of the Nozzle		1
4-2	Oil Tank		1	49	Rubber Ring		2
4-3	Oil Box Joint Core Plug		1	50	Self Tapping Screw		2
4-4	Sponge		1	51	Output Shaft Assembly		1
4-5	Oil Box Direct Joint		1	51-1	Lock Nut		1
4-6	Oil Box Seal Ring		1	51-2	608Z Bearing		1
4-7	Transparent Oil Tube		170mm	51-3	Output Shaft Gear		1
5	Power Cord Leoni	NA Power Cord Kit 571065 EU Power Cord Kit 571066	1	51-4	Spindle Cover		1
6	Cable Sleeve		1	51-5	Torsional Spring		1
7	Self Tapping Screw		2	51-6	Adjusting Shim		2
8	Cable Clamp		1	51-7	Output Shaft	Output Shaft Kit 602561	1
9	Connector		2	51-8	Bearing		1
10	Connecting Wire		1	52	Copper Strip		1
11	Connecting Wire		1	53	The Female Terminal		1
12	Button Spring		1	54	Heat Shrinkable Tube		25mm
13	Switch Button		1	55	Heat Shrinkable Tube		25mm
14	Lock Off Button		1	56	Dust Shield		1
15	Button Spring		1	57	Self Tapping Screw		3
16	Intermediate Connecting Rod		1	58	Flange Bolts		1
17	Self Tapping Screw		1	59	Brake Spring		1
18	Power Switch	NA Power Switch Kit 571067 EU Power Switch Kit 572391	1	60	Countersunk Head Screw	Bar Pad Kit 570965	4
19	Hexagonal Nut		1	61	Brake Bar Dead Plate	Bar Pad Kit 570965	1
20	Motor Gear		1	62	Link Switch		1
21	Motor Gear Bushing		1	63	Brake Bar		1
22	Self Tapping Screw		4	64	Brake Lever Spring		1
23	Left Housing		1	65	Flat Washer		1
24	Flange Bolts		2	66	Right Chassis Components		1
25	The Left Panel		1	66-1	Flange Bolts		1
26	The Rotor Component		1	66-2	Clamp		1
26-1	Bearing		1	66-3	Sponge Mat		1
26-2	The Rotor Assembly		1	66-4	Flange Bolts		2
26-3	Bearing		1	66-5	The Right Panel		1
27	The Stator Component		1	66-6	Self Tapping Screw		1
27-1	Stator Screw		2	66-7	Clamp		1
27-2	Spring Washer		2	66-8	Machine Screw		1
27-3	Flat Gasket		2	66-9	Right Housing		1
27-4	Wind Screen		1	66-10	Heat Insulation Washer		1
27-5	Stator		1	66-11	Self Tapping Screw		1
27-6	Motor Back Support		1	66-12	Countersunk Head Screw		2
27-7	Brush Holder		2	66-13	Oil-out Seal Ring		1
27-8	Washer		2	66-14	Dead Block		1
27-9	Hexagonal Nut 4 D		2	66-15	Self Tapping Screw		2
28	Self Tapping Screw		4	67	PowerSharp Lever Assembly	PowerSharp Arm Kit 570962	1
29	Motor Rear Cover		1	67-1	PowerSharp Lever Spring	PowerSharp Arm Kit 570962	1
30	Brush	NA Brush Replacement Kit 581884 EU Brush Replacement Kit 581885	2	67-2	PowerSharp Lever	PowerSharp Arm Kit 570962	1
31	Brush Holder Clamp	NA Brush Replacement Kit 581884	2	67-3			
32	Self Tapping Screw	NA Brush Replacement Kit 581884	4	67-4	Stone Assembly	PowerSharp Arm Kit 570962	1
33	Connecting Wire		2	67-5			
34	Connecting Wire		2	68	The Brake Pads		1
35	Front Handle		1	69	Machine With Screw		1
36	Protective Plate Component		1	70	Clamp	Sprocket Kit 570964	1
36-1	Self Tapping Screw		2	71	Self Tapping Screw	Sprocket Kit 570964	1
36-2	Impact Block Cover Plate		1	72	Tensioning Spring	Sprocket Kit 570964	1
36-3	Impact Plate		1	73	Sprocket	Sprocket Kit 570964	1
36-4	Preventer Plate		1	74	Split Washer	Sprocket Kit 570964	1
37	Oil Pump Assembly	Oil Pump Kit 574975	1	75	Support Plate		1
37-1	Worm Gear Tooth		1	76	Self Tapping Screw		1
37-2	Worm Gear		1	77	Self Tapping Screw		2
37-3	Plunger Support		1	78	Self Tapping Screw		10
37-4	Piston Bush		1	84	Side Cover Assembly	Side Cover Kit 570968	1
37-5	Main Part Of Oil Pump		1	84-1	Side Cover	Side Cover Kit 570968	1
38	Oil Pump Tension Spring		1	84-2	Axis With The Spring	Side Cover Kit 570968	1
39	Flange Bolts		2	84-3	Adjusting Knob	Side Cover Kit 570968	1
40	Brake Washer		1	84-4	Spring Compression Knob	Side Cover Kit 570968	1
				84-5	Compression Knob	Side Cover Kit 570968	1
				85	18" Blade Cover		1

CS1500 Part Guide

No.	Name	Kit Part Number	Quantity
1	Battery Box Spring	N/A	1
2	Battery Pack Button	N/A	1
3	Female Terminal	N/A	2
4	Battery Button Spring	N/A	1
5	Insert Cover	N/A	1
6	Blade Cover Kit	558819	1
7	Left Casing	N/A	1
8	A Right	N/A	1
9	Controller	560082	1
10	Front Handle	N/A	1
11	Right Decorative Cover	N/A	1
12	Left Trim Cover	N/A	1
13	Blade Assembly	560726	1
14	Guard Kit	560728	1
15	Left Casing Overmolded	N/A	1
16	Right Casing Overmolded	N/A	1
17	Anti Lock Button Spring	N/A	1
18	Electric Machinery Shim	N/A	4
19	Left Handle	N/A	1
20	Right Hand	N/A	1
21	Switch Button	N/A	1
22	Anti Lock Button	N/A	1
24	Misc. Screw Kit	576416	22
25	Plum Blossom Screws	576416	10
26	Battery Pack Connecting Frame	N/A	1
27	Speed Control Switch	N/A	1
28	Motor with Pinion Kit	600711	1

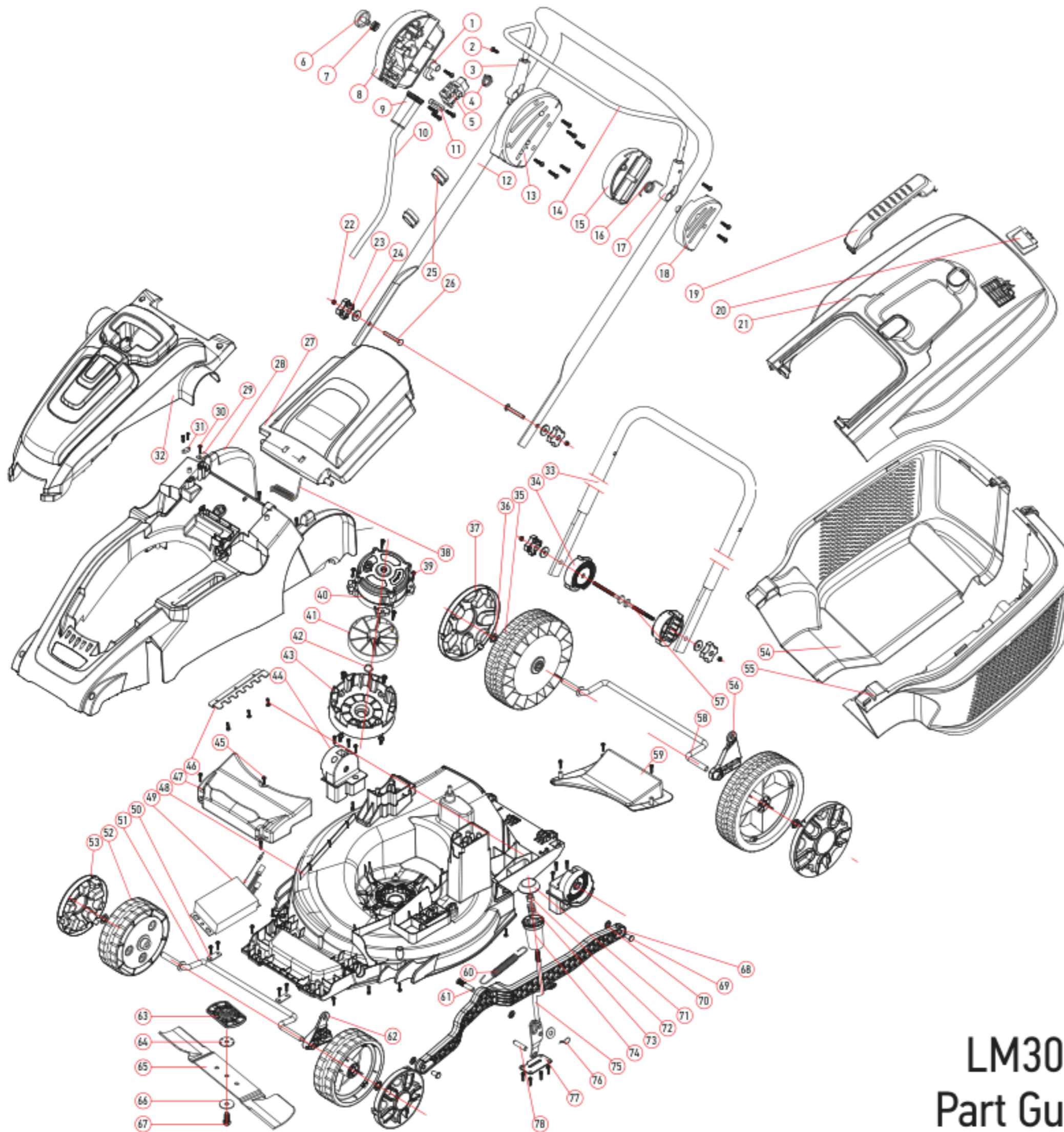


HT250 Part Guide



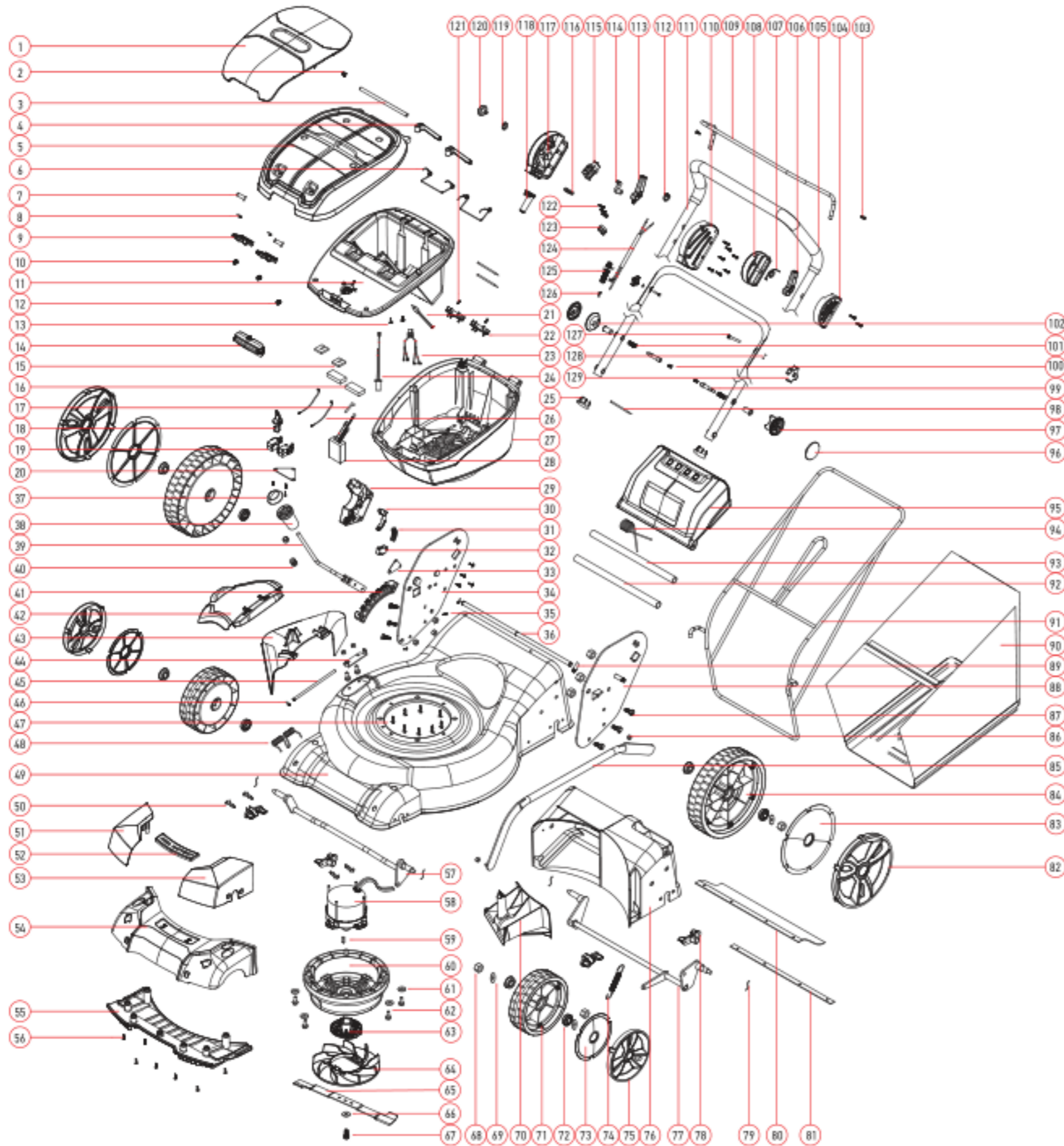
No.	Name	Kit Part Number	Quantity
1	Blade Cover Kit	558819	1
2	Guard Kit	560728	1
3	Handle Assembly	N/A	1
4	Electronic Components	560082	1
5	Electric Machinery Shim	N/A	4
6	A Right	N/A	1
7	Right Decorative Cover	N/A	1
8	Right Hand	N/A	1
9	Anti Lock Button	N/A	1
10	Anti Lock Button Spring	N/A	1
11	Switch Button	N/A	1
12	Battery Pack Button	N/A	1
14	Battery Button Spring	N/A	1
15	Battery Box Spring	N/A	1
16	Insert Cover	N/A	1
17	Left Casing	N/A	1
18	Left Trim Cover	N/A	1
19	Left Handle	N/A	1
20	Misc. Screw Kit	576416	18
21	Plum Blossom Screws	576416	22
22	Motor with Pinion Kit	600711	1
23	Blade Assembly	560727	1

HT255 Part Guide



LM300 Part Guide

No.	Name	Kit Part Number	Quantity
1	Trigger	Switch Box Kit 595726 (EU 582048)	1
2	Bolt	Switch Box Kit 595726 (EU 582048)	2
3	Right Brace	Switch Box Kit 595726 (EU 582048)	1
4	Spring	Switch Box Kit 595726 (EU 582048)	1
5	Switch	Switch Box Kit 595726 (EU 582048)	1
6	Button	Switch Box Kit 595726 (EU 582048)	1
7	Spring	Switch Box Kit 595726 (EU 582048)	1
8	Left Switch Box	Switch Box Kit 595726 (EU 582048)	1
9	Cable Jacket	Switch Box Kit 595726 (EU 582048)	1
10	Cable Mould	Switch Box Kit 595726 (EU 582048)	1
11	Double Line Block	Switch Box Kit 595726 (EU 582048)	1
12	Upper Handle	Handle Bar Kit 595727	1
13	Right Switch Box	Switch Box Kit 595726 (EU 582048)	1
14	Trigger Level		1
15	Right Fulcrum		1
16	Spring		1
17	Left Brace		1
18	Left Fulcrum		1
19	Grassbox Handle	Grassbox Kit 582042	1
20	Grass Full Instructions Board	Grassbox Kit 582042	1
21	Grassbox Cover	Grassbox Kit 582042	1
22	Nut		4
23	Knob	Handle Bar Kit 595727	4
24	Dish	Handle Bar Kit 595727	4
25	Hook	Handle Bar Kit 595727	2
26	Bolt	Handle Bar Kit 595727	2
27	Safety Flap	Safety Flap Kit 582073	1
28	Middle Frame		1
29	Press Block		1
30	Bolt		35
31	Cable Fix Plate		1
32	Cover Arm	Compartment Cover Kit 582075	1
33	Lower Handle	Handle Bar Kit 595727	1
34	Rotate Block		2
35	Wheel	Rear Wheel Kit 582044	2
36	Hub Cap	Rear Wheel Kit 582044 Front Wheel Kit 582043	4
37	Wheel Cover	Front Wheel Kit 582043	2
38	Spring		1
39	Bolt	Motor Kit 582046	8
40	Motor	Motor Kit 582046	1
41	Fan	Motor Kit 582046	1
42	Gear Plate	Motor Kit 582046	1
43	Motor Plank	Motor Kit 582046	1
44	Right Rotate Seat		1
45	Bolt		4
46	Gear Plate		1
47	Weight Block		1
48	Deck		1
49	Director	Controller Kit 582047	1
50	Washer		2
51	Front Axle	Front Wheel Axle Kit 599816	1
52	Front Wheel	Front Wheel Kit 582043	2
53	Front Wheel Cover	Front Wheel Kit 582043	2
54	Right Grassbox	Grassbox Kit 582042	1
55	Left Grassbox	Grassbox Kit 582042	1
56	Triangle	Rear Wheel Axle Kit 599815	1
57	Lower Handle Bolt		2
58	Rear Axle	Rear Wheel Axle Kit 599815	1
59	Plate		1
60	Spring		1
61	Connecting Rod Insert		1
62	Triangle	Front Wheel Axle Kit 599816	1
63	Blade Support	Blade Kit 582045	1
64	Washer	Blade Kit 582045	1
65	Blade	Blade Kit 582045	1
66	Washer	Blade Kit 582045	1
67	Bolt	Blade Kit 582045	1
68	Connecting Rod	Connecting Rod Kit 599817	1
69	Pin	Connecting Rod Kit 599817	2
70	Hub Cap	Connecting Rod Kit 599817	3
71	Raise Handle Cover		1
72	Nut		1
73	Handle Insert		1
74	Raise Handle		1
75	Rear Axle		1
76	Spring		1
77	Plate		1
78	Axle		1
	Rubber Flap (not shown)	Rubber Flap Kit 595728	



No.	Name	Kit Part Number	Quantity	No.	Name	Kit Part Number	Quantity
1	Battery Cover Empiecement		1	65	Blade	Blade Kit 596866	1
2	Plug Rotation Axis		1	66	O10 Gasket	Blade Kit 596866	1
3	Battery Cover Rotation Axis		1	67	M10 Screw	Blade Kit 596866	1
4	Battery Cover Handle		2	68	Hexagonal Screw	Front Wheel Kit 596863	6
5	Battery Cover		1	69	O8 Gasket	Front Wheel Kit 596863	2
6	Battery Spring		2	70	Plug Stuffy Grass		1
7	Axis		2	71	Road Wheel 170	Front Wheel Kit 596863	2
8	O8 Axis Retaining Ring		2	72	Axis	Front Wheel Kit 596863	8
9	Battery Snap Joint		2	73	Front Road Wheel Protection Board	Front Wheel Kit 596863	2
10	Pressure Spring		2	74	Raise Spring		1
11	Battery Bin		1	75	Front Road Wheel Cover	Front Wheel Kit 596863	2
12	Spring Buckle Battery Cover		1	76	Deck Protection Board		1
13	Screw		2	77	Back Axle	Rear Wheel Kit 596864	1
14	Battery Cover Snap Joint		1	78	Wheel Axis Fixed Block	Front Wheel Kit 596863	4
15	Battery Sponge		2	79	Corrugated Gasket	Rubber Flap Kit 596865	6
16	Battery Holder Sponge		2	80	Rubber Skin	Rubber Flap Kit 596865	1
17	Double-side Tapes In Battery Compartment		4	81	Rubber Skin Board	Rubber Flap Kit 596865	1
18	Key	Safety Key Kit 596870	2	82	Back Road Wheel Cover	Rear Wheel Kit 596864	2
19	Master Switch		2	83	Back Road Wheel Protection Board	Rear Wheel Kit 596864	2
20	Master Switch Pressing Plate		1	84	Road Wheel 240	Rear Wheel Kit 596864	2
21	Controller ID Line		1	85	Connecting Rod		1
22	Wire Connector		2	86	M6 Nut		6
23	Director CU Connector Assembly		1	87	M8 Nut		6
24	Director CU Switch Line		1	88	Left Support Plate		1
25	Head Cover		2	89	O10 Axis Retaining Ring		2
26	Battery Switch Line Assembly		2	90	Grassbox	Grass Bag Kit 596862	1
27	Battery Holder		1	91	Grassbox Lever	Grass Bag Kit 596862	1
28	Director CU	Controller Kit 596869	1	92	Whole Machine Handle		1
29	Protection Switch Holder		1	93	Eva Handle Branch Pipe		1
30	Protection Switch Axis		1	94	Protection Board Spring		1
31	Protection Switch Spring		1	95	Protection Board		1
32	Protection Switch		1	96	Pull Pin Cover	Lock Pin Kit 596861	2
33	Protection Switch Pressing Plate		1	97	Left Pull Pin Cap	Lock Pin Kit 596861	1
34	The Right Support Plate		1	98	Black Tie	Lock Pin Kit 596861	3
35	Stainless Steel Self-Tapping Screws		2	99	Pull Pin	Lock Pin Kit 596861	2
36	Protection Board Rotation Axis		1	100	Pull Pin Gasket	Lock Pin Kit 596861	2
37	Raise the Handle Cover		1	101	Pull Pin Spring		2
38	Raise the Handle		1	102	Right Pull Pin Cap		1
39	Adjust Level Module		1	103	Abutment Screw		2
40	Handle Insert		1	104	Handle Right Support		1
41	Gears Board		1	105	Eva Handle Branch Pipe		1
42	Lateral Protection Board	Side Discharge Kit 596868	1	106	Handle Left Support		1
43	Lateral Tongue	Lateral Tongue Kit 596871	1	107	Fulcrum Spring		1
44	Lateral Lever	Side Discharge Kit 596868	1	108	Right Fulcrum Cover		1
45	Lateral Rotation Axis	Side Discharge Kit 596868	1	109	Switch Level		1
46	O6 Axis Retaining Ring	Side Discharge Kit 596871	2	110	Switch Box Left Cover	Switch Box Kit 596860	1
47	Cross Recessed Pan Head Tapping Screws	Side Discharge Cover Kit 596868	8	111	Handle Assembly	Handle Bars Kit 596857	1
48	Lateral Spring	Side Discharge Kit 596868	1	112	Switch Spring	Switch Box Kit 596860	1
49	Deck		1	113	Handle Right Support	Switch Box Kit 596860	1
50	Non-Standard Screw		13	114	Switch	Switch Box Kit 596860	1
51	Right Decorative Covers		1	115	Switch	Switch Box Kit 596860	1
52	Front Decorative Covers		1	116	Double Line Pressing Board	Switch Box Kit 596860	1
53	Left Decorative Covers		1	117	Switch Box Right Cover	Switch Box Kit 596860	1
54	Front Decorative Covers		1	118	Power Cable Sheath		1
55	Comb Grass Board		1	119	Button Spring		1
56	Bolt		39	120	Button		1
57	Front Axle	Front Wheel Kit 596863	1	121	Self-tapping Screws		2
58	Motor	Motor Kit 596867	1	122	Self-tapping Screws		13
59	Flat Key	Motor Kit 596867	1	123	Wire Snap Joint		2
60	Deck Base	Motor Kit 596867	1	124	Internal Wires		1
61	Shim	Motor Kit 596867	4	125	Wire Casing		1
62	M6 Screw	Motor Kit 596867	6	126	Crimping Cap		1
63	Blade Holder	Motor Kit 596867	1	127	Square Neck Bolt	Handle Bars Kit 596857	2
64	Fan	Motor Kit 596867	1	128	Knob Gasket	Handle Bars Kit 596857	2
				129	Shim	Handle Bars Kit 596857	2

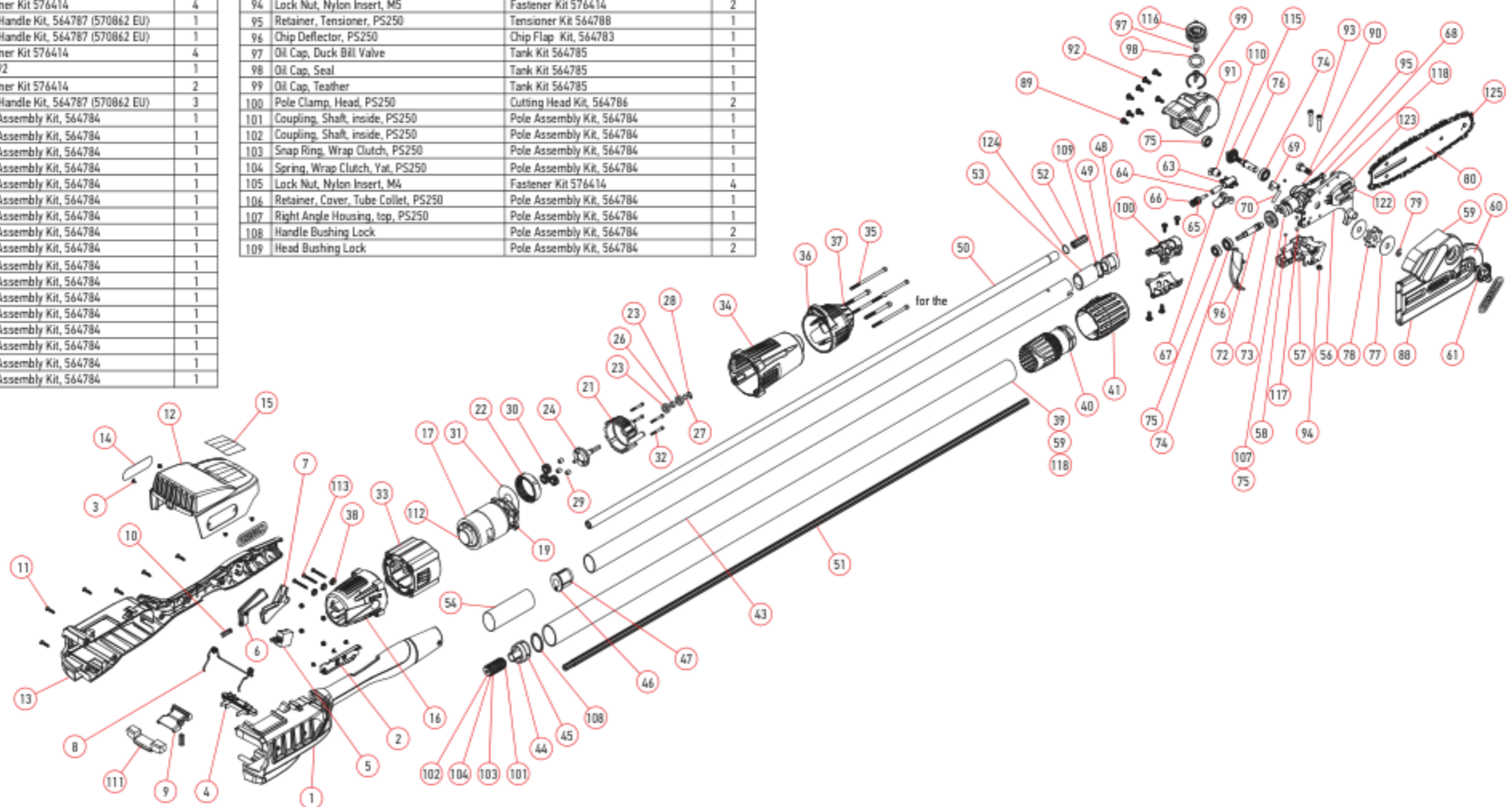
LM400 Part Guide

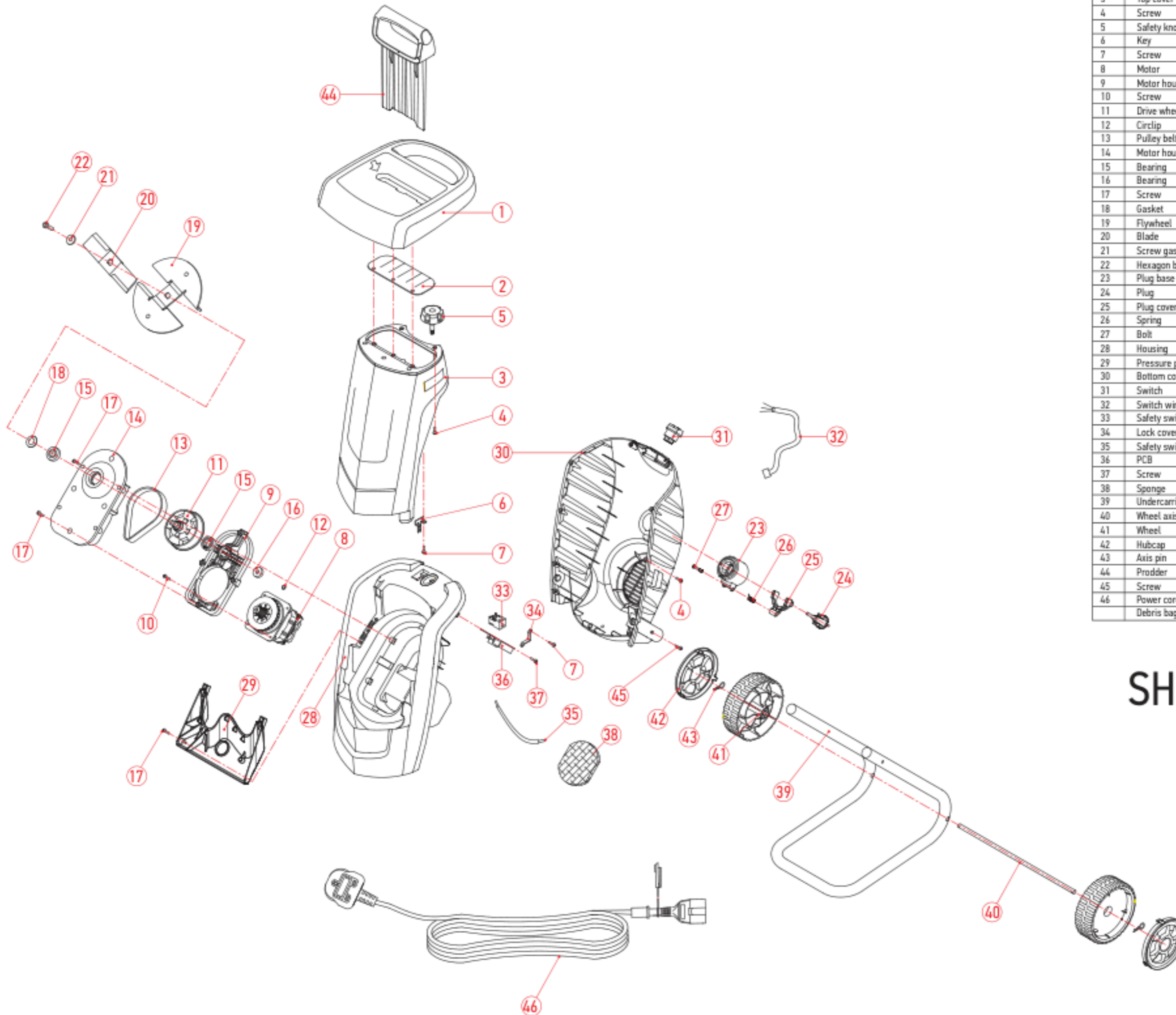
No.	Name	Kit Part Number	Quantity
1	Right Case, ST250	Rear Handle Kit, 564787 (570862 EU)	1
2	Wire Cover, Rear Handle, ST250	Rear Handle Kit, 564787 (570862 EU)	1
3	Screw, Flat Head Cap, M3 x 6mm	Fastener Kit 576414	7
4	Terminal Block, HT_ST	Rear Handle Kit, 564787 (570862 EU)	1
5	Switch, Trigger	Rear Handle Kit, 564787 (570862 EU)	1
6	Trigger Interlock, ST250	Rear Handle Kit, 564787 (570862 EU)	1
7	Trigger, ST250	Rear Handle Kit, 564787 (570862 EU)	1
8	Battery Eject Spring, CS250		1
9	Latch, Battery	Rear Handle Kit, 564787 (570862 EU)	1
10	Spring, Battery Latch	Rear Handle Kit, 564787 (570862 EU)	2
11	Screw, K40 x 16, BH, Torx	Fastener Kit 576414	7
12	Rear Handle Cover, top	Rear Handle Kit, 564787 (570862 EU)	1
13	Left Case, ST250	Rear Handle Kit, 564787 (570862 EU)	1
14	Label Black Oregon 71.36mm x 23.3mm	N/A	3
15	Label, 40V Max	N/A	1
16	Motor Housing, Rear, PS250	Rear Handle Kit, 564787 (570862 EU)	1
17	Motor, PMDC 1000 Series	Rear Handle Kit, 564787 (570862 EU)	1
18	Pinion, Motor, Yat, PS250	Rear Handle Kit, 564787 (570862 EU)	1
19	Motor Adaptor, 1000-Series, PS250	Rear Handle Kit, 564787 (570862 EU)	1
20	Screw, Flat Head Cap, M5 x 20mm	Fastener Kit 576414	2
21	Housing, Gearbox, PS250	Rear Handle Kit, 564787 (570862 EU)	1
22	Ring Gear, Gearbox, Yat, PS250	Rear Handle Kit, 564787 (570862 EU)	1
23	Bearing, 680z, Bore 8mm	Rear Handle Kit, 564787 (570862 EU)	2
24	Carrier, Gearbox, PS250	Rear Handle Kit, 564787 (570862 EU)	1
25	Pin, Carrier, Gearbox, PS250	Rear Handle Kit, 564787 (570862 EU)	3
26	Bearing Spacer, Gearbox, PS250	Rear Handle Kit, 564787 (570862 EU)	1
27	Bearing Spring, Gearbox, PS250	Rear Handle Kit, 564787 (570862 EU)	1
28	Snap Ring, Gearbox, PS250	Rear Handle Kit, 564787 (570862 EU)	1
29	Needle Bearing, K 4 x 7 x 7 TN	Rear Handle Kit, 564787 (570862 EU)	3
30	Planet Gear, Gearbox, Yat, PS250	Rear Handle Kit, 564787 (570862 EU)	3
31	Gear Plate, Gearbox, PS250	Rear Handle Kit, 564787 (570862 EU)	1
32	Screw, Socket Head Cap, M3 x 25mm	Fastener Kit 576414	4
33	Motor Housing, mid, PS250	Rear Handle Kit, 564787 (570862 EU)	1
34	Motor Housing, front, PS250	Rear Handle Kit, 564787 (570862 EU)	1
35	Screw, Socket Head Cap, M4 x 80mm	Fastener Kit 576414	4
36	Cap, Housing, Motor, PS250	565492	1
37	Screw, Socket Head Cap, M5 x 55mm	Fastener Kit 576414	2
38	Bushing, K40 Screw	Rear Handle Kit, 564787 (570862 EU)	3
39	Pole Telescope, outer, PS250	Pole Assembly Kit, 564784	1
40	Tube Collet, inner, PS250	Pole Assembly Kit, 564784	1
41	Tube Collet, outer, PS250	Pole Assembly Kit, 564784	1
42	Cover, Tube, Collet, PS250	Pole Assembly Kit, 564784	1
43	Pole Telescope, inner, PS250	Pole Assembly Kit, 564784	1
44	Shaft Bushing Insert, large, PS250	Pole Assembly Kit, 564784	1
45	Shaft Bushing Overmold, large, PS250	Pole Assembly Kit, 564784	1
46	Shaft Bushing Insert, Support, PS250	Pole Assembly Kit, 564784	1
47	Shaft Bushing Overmold, Support, PS250	Pole Assembly Kit, 564784	1
48	Shaft Bushing Insert, small, PS250	Pole Assembly Kit, 564784	1
49	Shaft Bushing Overmold, small, PS250	Pole Assembly Kit, 564784	1
50	Telescoping Driveshaft, outside, PS250	Pole Assembly Kit, 564784	1
51	Telescoping Driveshaft, inside, PS250	Pole Assembly Kit, 564784	1
52	Coupling, Shaft, outside, PS250	Pole Assembly Kit, 564784	1
53	Damper, Vibration, Shaft, PS250	Pole Assembly Kit, 564784	1
54	Stop Sleeve, Pole End, PS250	Pole Assembly Kit, 564784	1
55	Pin, Tube Collet, PS250	Pole Assembly Kit, 564784	1

No.	Name	Kit Part Number	Quantity
56	Bar Pad, PS250	565414	1
57	Housing, Right Angle, bottom, PS250	Cutting Head Kit, 564786	1
58	Stopper, Bearing, PS250	Cutting Head Kit, 564786	4
59	Side Cover, PS250	Side Cover Kit, 564782	1
60	Clamp Knob Bushing, CS250	Side Cover Kit, 564782	1
61	Clamp Knob, PS250	Side Cover Kit, 564782	1
62	Ring Clip, CS250	Cutting Head Kit, 564786	1
63	Oil Pump Body, PS250	Pump Assy Kit 565419	1
64	Oil Pump Shaft Sleeve, CS250	Pump Assy Kit 565419	1
65	Cam Shaft, Oil Pump, Red	Pump Assy Kit 565419	1
66	Gear, Oil Pump, 9.5mm	Pump Assy Kit 565419	1
67	Oil Pump Hood, PS250	Pump Assy Kit 565419	1
68	Screw, Tensioner, PS250	Tensioner Kit 564788	1
69	Elbow, Oil Output, PS250	Cutting Head Kit, 564786	2
70	Tube, Oil, PS250	Cutting Head Kit, 564786	1
71	Pin, Tensioner, PS250	Tensioner Kit 564788	1
72	Input Shaft, Miter, PS250	Cutting Head Kit, 564786	1
73	Gear, Miter, 19 Tooth, PS250	Cutting Head Kit, 564786	1
74	Bearing, 6900z, 10mm Bore	Cutting Head Kit, 564786	2
75	Bearing, 69bz, Bore 8mm	Cutting Head Kit, 564786	2
76	Output Shaft, Miter, PS250	Cutting Head Kit, 564786	1
77	Washer, Sprocket, PS250	Sprocket Kit, 571043	2
78	Sprocket, 7 Tooth, 3/8 Pitch	Sprocket Kit, 571043	1
79	E-clip, Output Shaft, CS250	Sprocket Kit, 571043	1
80	Bar, Chainsaw, Oregon, 8 inch	004MLEA041	1
88	Blade Cover, 8 inch	Blade Cover Kit 564845	1
89	Screw, Pan Head Torx, M5 x 10	Tank Kit 564785	5
90	Bar, Stud		1
91	Oil, Tank, PS250	Tank Kit 564785	1
92	Screw, Button Head Torx, M5 x 12	Tank Kit 564785	7
93	Screw, Socket Head, M5 x 25mm	Fastener Kit 576414	2
94	Lock Nut, Nylon Insert, M5	Fastener Kit 576414	2
95	Retainer, Tensioner, PS250	Tensioner Kit 564788	1
96	Chip Deflector, PS250	Chip Flap Kit, 564783	1
97	Oil Cap, Duck Bill Valve	Tank Kit 564785	1
98	Oil Cap, Seal	Tank Kit 564785	1
99	Oil Cap, Teather	Tank Kit 564785	1
100	Pole Clamp, Head, PS250	Cutting Head Kit, 564786	2
101	Coupling, Shaft, inside, PS250	Pole Assembly Kit, 564784	1
102	Coupling, Shaft, outside, PS250	Pole Assembly Kit, 564784	1
103	Snap Ring, Wrap Clutch, PS250	Pole Assembly Kit, 564784	1
104	Spring, Wrap Clutch, Yat, PS250	Pole Assembly Kit, 564784	1
105	Lock Nut, Nylon Insert, M4	Fastener Kit 576414	4
106	Retainer, Cover, Tube Collet, PS250	Pole Assembly Kit, 564784	1
107	Right Angle Housing, top, PS250	Pole Assembly Kit, 564784	1
108	Handle Bushing Lock	Pole Assembly Kit, 564784	2
109	Head Bushing Lock	Pole Assembly Kit, 564784	2

No.	Name	Kit Part Number	Quantity
110	Tube, Input, Oil, PS250	Cutting Head Kit, 564786	1
111	Bumper, Battery Release, .25mm, PS250	Rear Handle Kit, 564787 (570862 EU)	1
112	Cap, Motor Shaft, PS250	Rear Handle Kit, 564787 (570862 EU)	1
113	Screw, K40 x 30, BH, T20 Torx	Fastener Kit 576414	3
114	Retaining Clip, Wrap Clutch, PS250	Pole Assembly Kit, 564784	1
115	Gear, Bevel, 15 Tooth, PS250	Cutting Head Kit, 564786	1
116	Cap, Oil, PS250	Kit 564785	2
117	Washer, 5.2mm x 13m x 1.5mm thick, PS250	Cutting Head Kit, 564786	2
118	Washer, M5 x 12mm OD x 1.2mm thick	Pole Assembly Kit, 564784	3
119	Sleeve, Vibration Damper, PS250	Pole Assembly Kit, 564784	1
120	Oil Filter Case, PS250	Cutting Head Kit, 564786	1
121	Foam, Oil Filter, CS250	Cutting Head Kit, 564786	1
122	Seal, Side Cover, PS250	Side Cover Kit, 564782	1
123	Seal, Bar Pad, PS250	Cutting Head Kit, 564786	1
124	Ring, Retaining, Shaft, PS250	Pole Assembly Kit, 564784	1
125	Chain, PS250	90PX034G for NA, 90PX034E for EU	1
	Oil Cap Assembly	573657	1

PS250 Part Guide





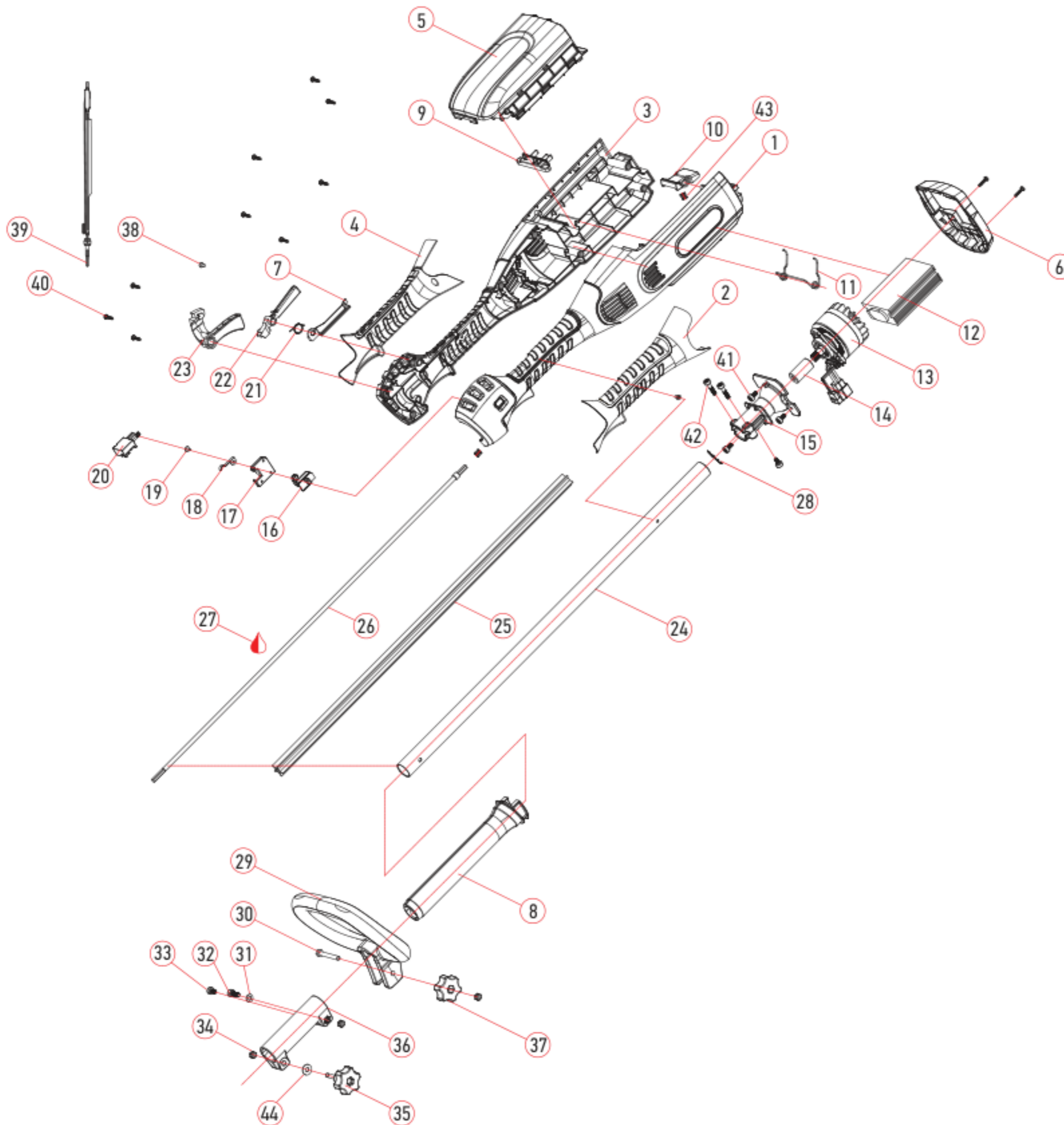
No.	Name	Kit Part Number	Quantity
1	Handle		1
2	Guard		1
3	Top cover		1
4	Screw		16
5	Safety knob		1
6	Key		1
7	Screw		4
8	Motor		1
9	Motor housing		1
10	Screw		4
11	Drive wheel		1
12	Circlip		1
13	Pulley belt		1
14	Motor housing cover		1
15	Bearing		2
16	Bearing		1
17	Screw		14
18	Gasket		1
19	Flywheel	Shredder, corded, blade kit 599450	1
20	Blade	Shredder, corded, blade kit 599450	1
21	Screw gasket	Shredder, corded, blade kit 599450	1
22	Hexagon bolt	Shredder, corded, blade kit 599450	1
23	Plug base		1
24	Plug		1
25	Plug cover		1
26	Spring		1
27	Bolt		1
28	Housing		1
29	Pressure plate		1
30	Bottom cover		1
31	Switch		1
32	Switch wire		1
33	Safety switch		1
34	Lock cover		1
35	Safety switch wire		2
36	PCB		1
37	Screw		2
38	Sponge		1
39	Undercarriage		1
40	Wheel axis	Shredder, corded, wheels kit 597882	1
41	Wheel	Shredder, corded, wheels kit 597882	2
42	Hubcap	Shredder, corded, wheels kit 597882	2
43	Axis pin	Shredder, corded, wheels kit 597882	2
44	Prodder	Shredder, corded, plunger kit 597879	1
45	Screw		2
46	Power cord	Shredder, corded, plug kit 597881	1
	Debris bag	Shredder, corded, bag kit 597880	

SH2200 Part Guide



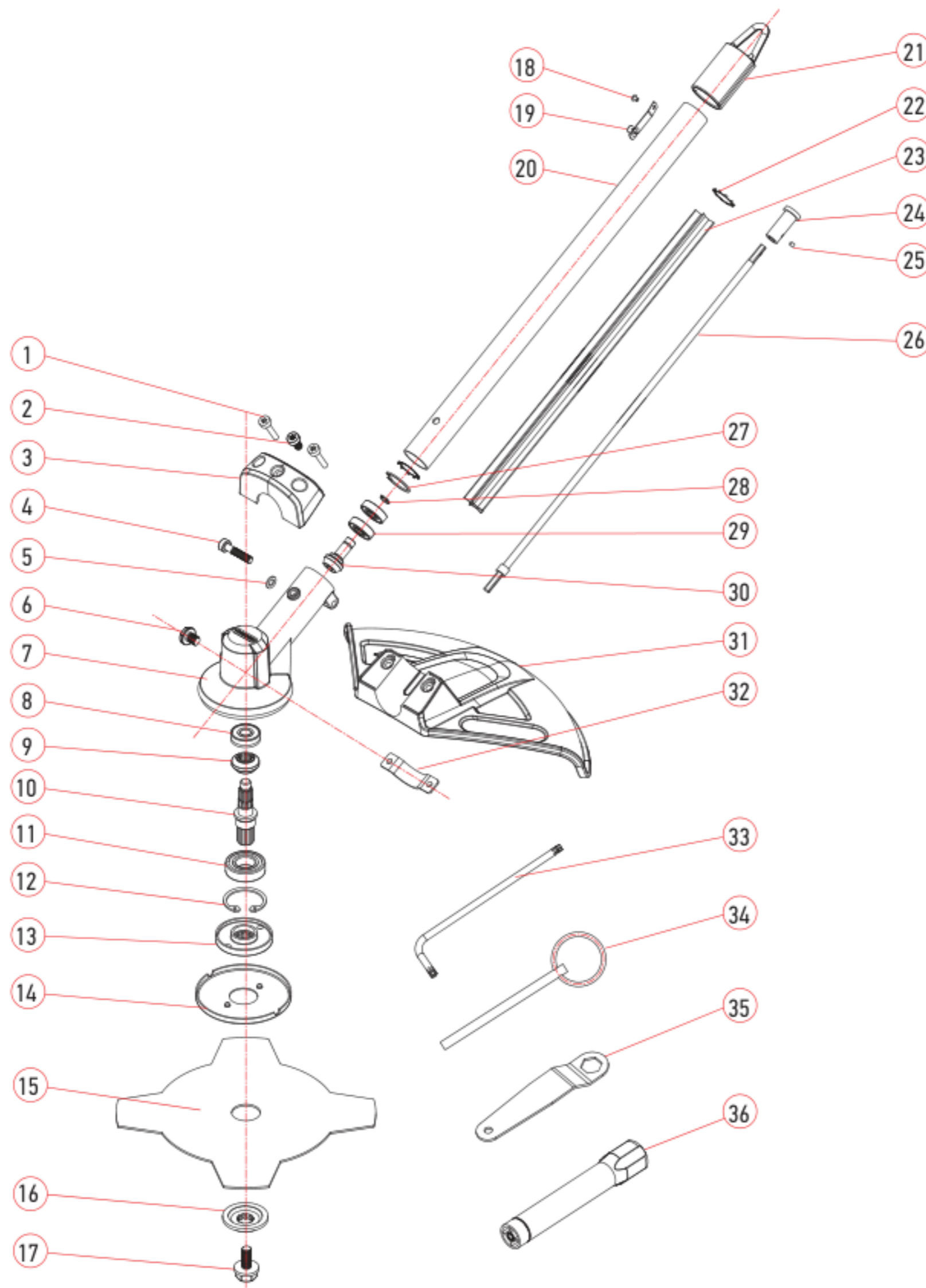
No.	Name	Kit Part Number	Quantity
1	Shaft, ST275	N/A	1
2	Right Case, ST250	N/A	1
3	Wire Cover, Rear Handle, ST250	N/A	1
4	Screw, Flat Head Cap, M3 x 6mm	Fastener Kit 576415	7
7	Terminal Block, HT, ST	N/A	1
8	Switch, Trigger	N/A	1
9	Trigger Interlock, ST250	N/A	1
10	Trigger, ST250	560476	1
11	Battery Eject Spring, CS250, ST275	549528	1
12	Latch, Battery	N/A	1
13	Spring, Battery Latch	N/A	2
14	Screw, K40 x 16, BH, Torx	Fastener Kit 576415	9
15	Rear Handle Cover, Top	N/A	1
16	Left Case, ST250	N/A	1
17	Label Black Oregon 71.36mm x 23.3mm	N/A	4
18	Label, 40V Max	N/A	1
19	Housing, Head, Left, ST275	N/A	1
20	Housing, Head, Right, ST275	N/A	1
21	Stopper, Bearing, PS250	N/A	1
22	Guard, ST275	Grass Guard 564948	1
23	Knife, Line, ST250	Grass Guard 564948	2
24	Screw, K40 x 16, Flat-Phillips Combo	Fastener Kit 576415	2
25	Label, Warning, ST275	N/A	1
26	Motor, Mabuchi, 800-Series, RT8B7WA	Motor Kit 604379	1
27	Plate, Motor, ST275	N/A	1
28	Bearing, 8mm Shaft, ST275	N/A	1
29	Screw, Flat Head Socket Cap, M5 x 12, Microencapsulated	Fastener Kit 576415	4
30	Pinion, ST275	N/A	1
31	Shaft, Output, ST275	N/A	1
32	Bearing	N/A	1
33	Spacer, Shaft, Output, ST275	N/A	1
34	Gear, 40-Tooth, ST275	N/A	1
35	Washer	N/A	1
36	Washer, 4mm, ST275	N/A	1
37	Washer, Lock, M4, ST275	N/A	1
38	Screw, Button Head, M4 x 8, Torx	Fastener Kit 576415	1
39	Housing, Trimmer Head, UN2013R, Proulx	Replacement Head Kit, 571355 Eu, 564849 Na	1
45	Nut, Arbor, Proulx UN2013R, ST275	Replacement Head Kit, 571355 Eu, 564849 Na	2
46	Shroud, ST275	Replacement Head Kit, 571355 Eu, 564849 Na	1
47	Screw, K40 x 16, T20 Torx Head	Fastener Kit 576415	9
48	Guide, Edging, ST275	Fastener Kit 576415	1
49	Screw, K40 x 20, Pan Phillips	Fastener Kit 576415	2
50	Front Handle, ST275	Handle Assembly Kit 560751	1
51	Nut, M6 x 1, 10mm Wide x 5mm Tall	Handle Assembly Kit 560751	1
52	Front Handle Knob, ST275	Handle Assembly Kit 560751	1
53	Screw, M6 x 1 x 60mm Long, Hex	Handle Assembly Kit 560751	1
54	Electronic Control Board, ST275	Controller Kit 560489	1
	Alternative to 564948 and 571355	Gator Speedload Replacement Head Kit, 581647	
	Replacement Spring for the ST275 Head	599804	
	Replacement Eyelet for the ST275 Head	599803	
	Replacement Spring for the ST275 Head	599446	
	Replacement Eyelet for the ST275 Head	599445	

ST275 Part Guide



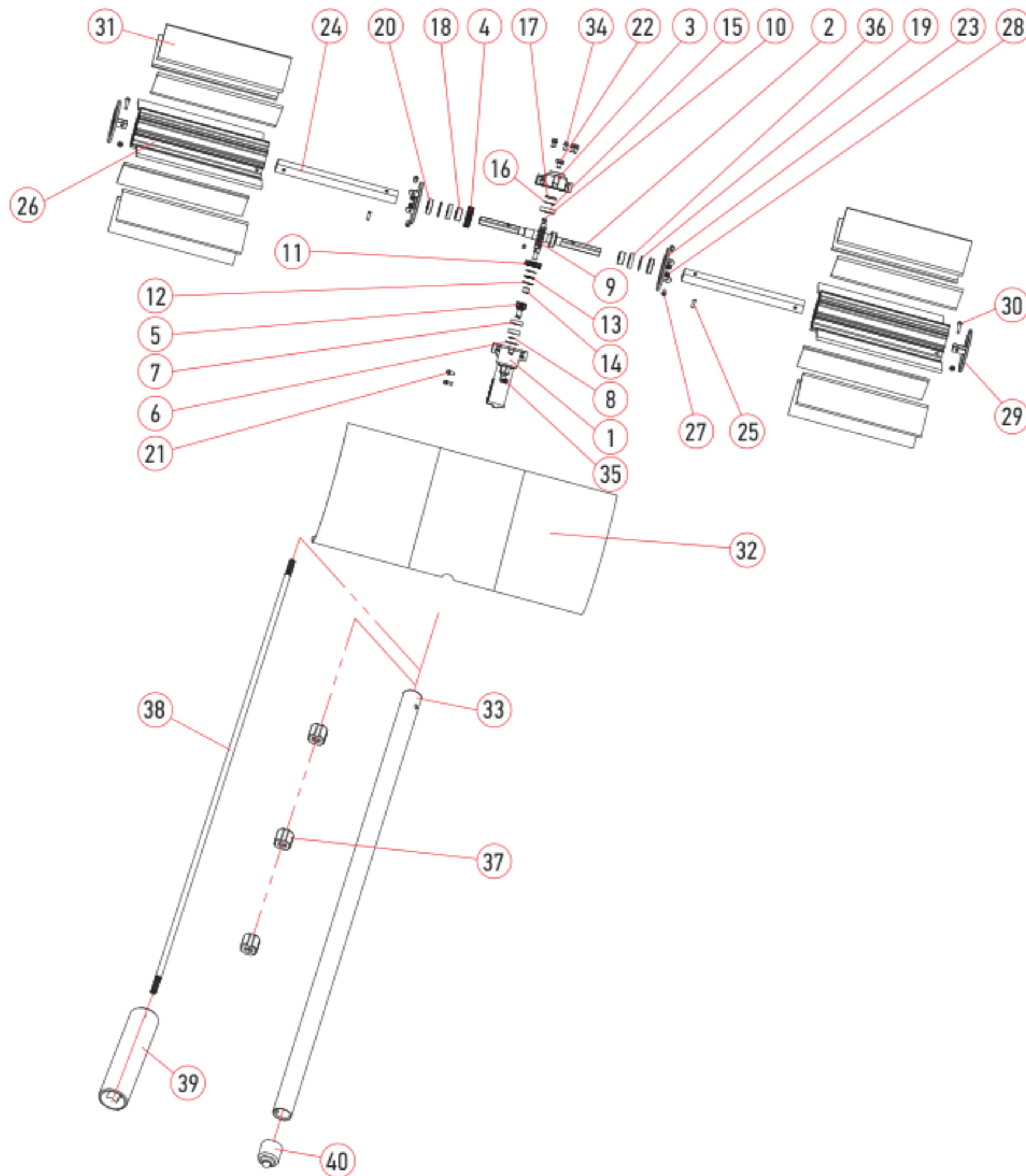
No.	Name	Kit Part Number	Quantity
1	Left Body	Rear Handle Kit 596059	1
2	Left Housing Cover Overmould	Rear Handle Kit 596059	1
3	Right Body	Rear Handle Kit 596059	1
4	Right Housing Cover Overmould	Rear Handle Kit 596059	1
5	Battery Pack		1
6	Rear Cover		1
7	Line Pressing Board		1
8	Locating Sleeve		1
9	Wire Connector Components		1
10	Battery Pack Card Buckle	Rear Handle Kit 596059	1
11	Battery Pack Torsional Spring		1
12	Controller		1
13	Motor		1
14	Shaft Sleeve		1
15	Locate		1
16	Push Button		1
17	Cover Plate of Push Button		1
18	Leaf Spring		1
19	Screw		1
20	Switches		1
21	Trigger Torsional Spring		1
22	Protecting Trigger		1
23	Main Trigger		1
24	Straight Tube		1
25	Nylon Tube		1
26	Soft Shaft		1
27	Grease		8g
28	Brake Clamp		1
29	Deputy Handle	Handle Kit 596061	1
30	Screw	Handle Kit 596061	1
31	Flat Washer	Coupler Kit 596057	1
32	Screw	Coupler Kit 596057	1
33	Screw	Coupler Kit 596057	2
34	Nut	Knob Kit 596058	3
35	Package Hoop Knob	Knob Kit 596058	1
36	Shroud Ring	Coupler Kit 596057	1
37	Deputy Handle Knob	Handle Kit 596061	1
38	Screw	Misc. Fastener Kit 596060	2
39	Straps		1
40	Screw	Misc. Fastener Kit 596060	11
41	Bolt		3
42	Bolt	Misc. Fastener Kit 596060	2
43	Compression Spring		2
44	Flat Washer		1

PH600 Part Guide



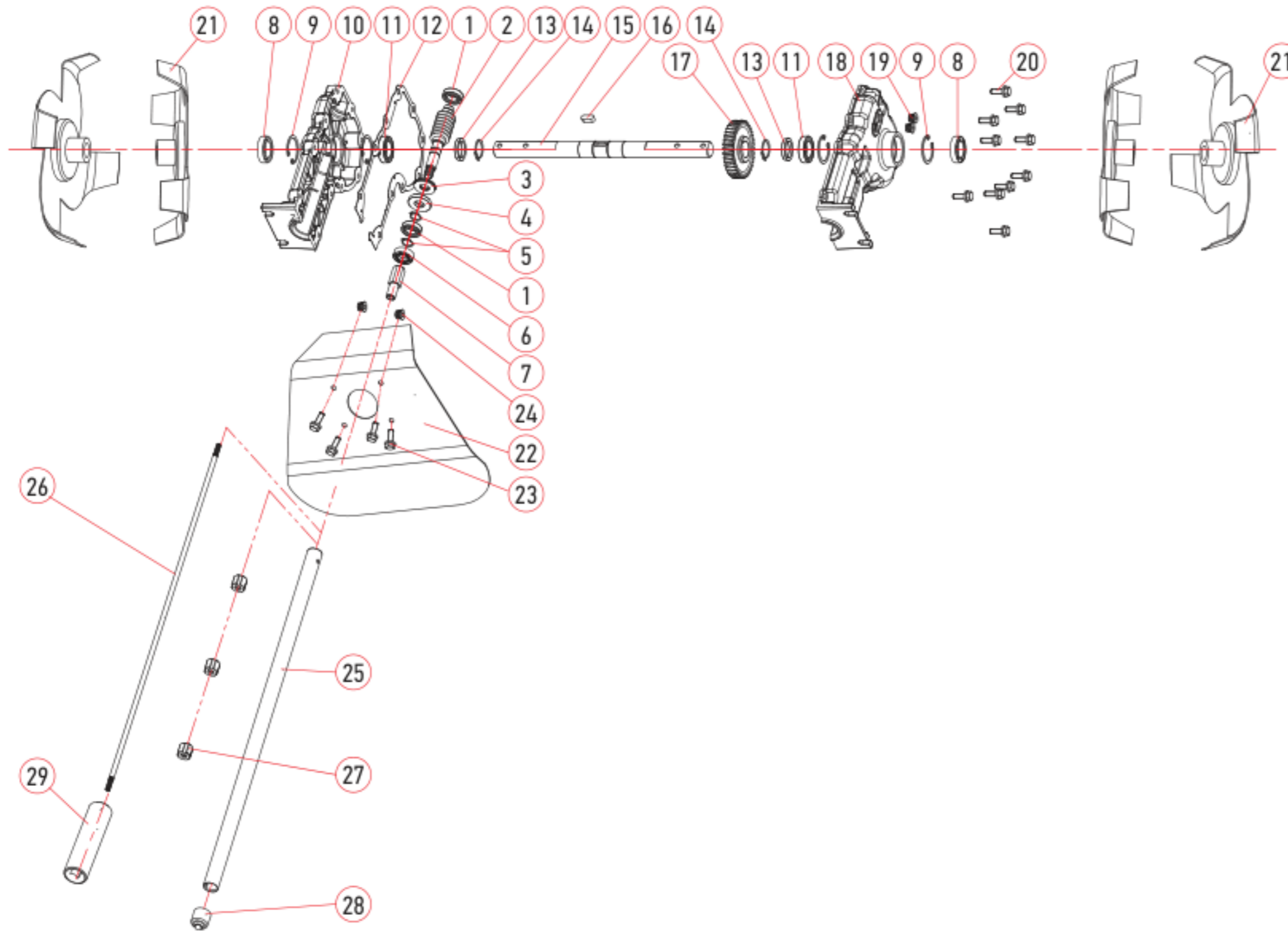
No.	Name	Kit Part Number	Quantity
1	Screw	Misc. Fastener Kit 595898 Guard Kit 595900	2
2	Screw	Misc. Fastener Kit 595898 Guard Kit 595900	1
3	Shroud Cover	Guard Kit 595900	1
4	Screw	Gearbox Kit 595896	1
5	Washer	Gearbox Kit 595896	1
6	Bolt	Gearbox Kit 595896	1
7	Gear Box		1
8	Bearing		1
9	Gears		1
10	GT Shaft		1
11	Bearing		1
12	Check Ring for Hole		1
13	GT Ring Flange		1
14	Positioning Plate		1
15	Cutting Blade	Blade Kit 595899	1
16	Saddle Washer	Blade Kit 595899	1
17	Bolt	Blade Kit 595899	1
18	Rivet	Shaft Kit 595895	1
19	Clamp Spring Washer	Shaft Kit 595895	1
20	GT Tube	Shaft Kit 595895	1
21	Tube Cap	Hanger Cap 597163	1
22	Clip	Shaft Kit 595895	2
23	Star-Shaped Nylon Sleeve	Shaft Kit 595895	1
24	Soft Shaft Connector	Shaft Kit 595895	1
25	Cock Screw	Shaft Kit 595895	1
26	GT Soft Shaft	Shaft Kit 595895	1
27	Check Ring for Hole		1
28	Check Ring for Shaft		1
29	Bearing		2
30	Gears		1
31	Cutter Safety Guard	Guard Kit 595900	1
32	Pressing Plate	Guard Kit 595900	1
33	Spanner		1
34	Bolt		1
35	Spanner		1
36	Barrier Bar		1

BC600 Part Guide



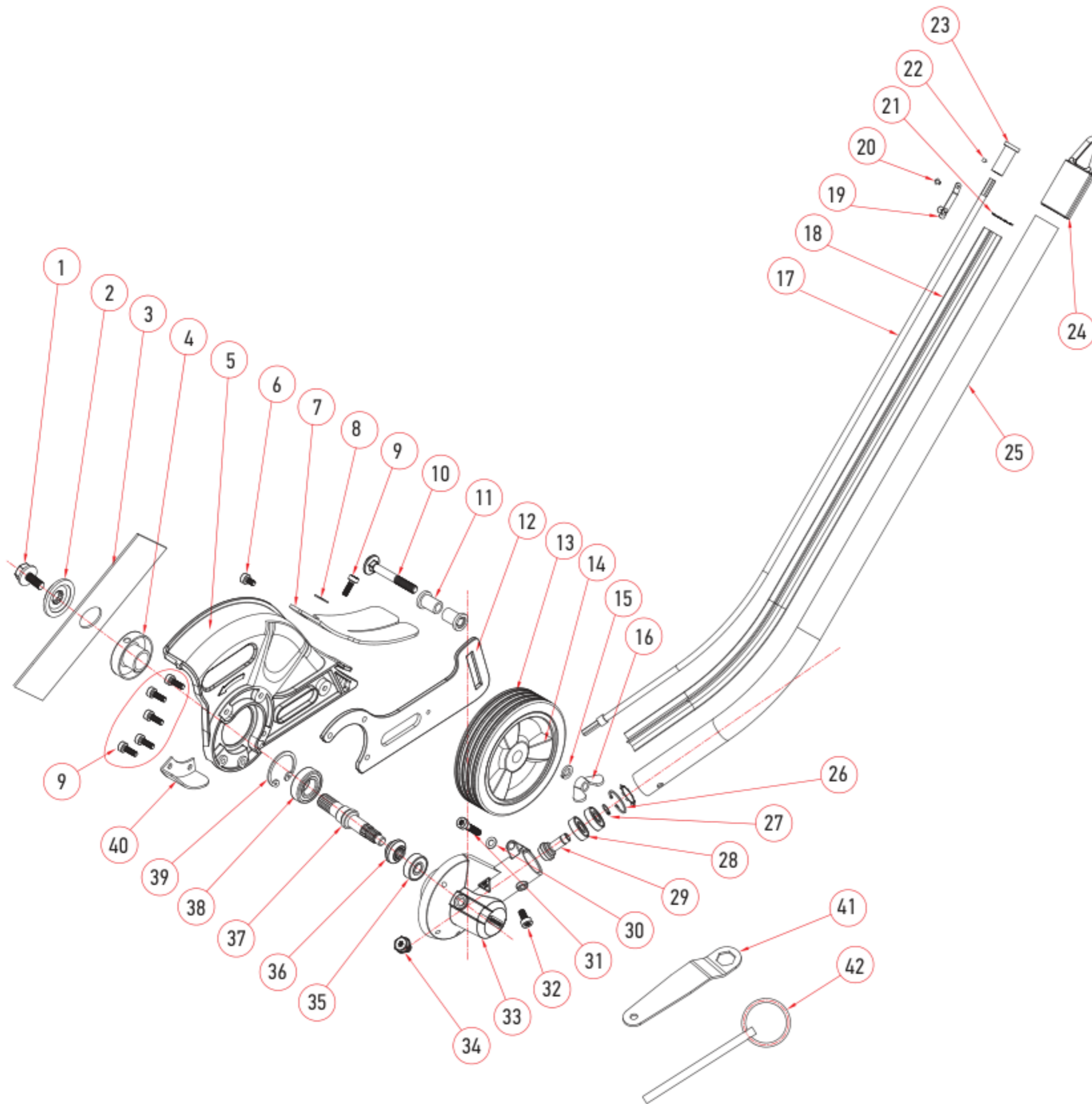
No.	Name	Kit Part Number	Qty.
1	Gear Case		1
2	Output Shaft		1
3	Gear Case Cover		1
4	Worm Gear		1
5	Small Gear		1
6	Retaining Rings for Bore 26x12x7		1
7	609 Bearing		2
8	Retaining Rings for Shaft 32x19x7		1
9	Worm		1
10	Key		2
11	Big Gear		1
12	Plane Bearing Washer		2
13	Plane Bearing		1
14	Needle Bearing		1
15	Bearing		1
16	Retaining Rings for Bore 22		1
17	Gasket Ring		1
18	Distance Sleeve		2
19	Retaining Rings for Bore 30		3
20	Oil Seal		2
21	Hexagonal Screw M5x25	Sweeper Fastener Kit 610758	2
22	Hex Screw	Sweeper Fastener Kit 610758	1
23	Inner Cap for Rotating Brushes		2
24	Spindle		2
25	Spring Pin		2
26	Rotating Brushes	Sweeper Brushes Kit 610760	2
27	Cross Head Screw M5x12		4
28	Lock Nut	Sweeper Fastener Kit 610758	6
29	Outer Cap for Rotating Brushes	Sweeper Brushes Kit 610760	2
30	Cross Head Screw M5x30	Sweeper Fastener Kit 610758	2
		Sweeper Brushes Kit 610760	2
31	Brush Plate	Sweeper Bristles Kit 611856	8
		Sweeper Brushes Kit 610760	8
32	Deflector		1
33	Aluminium Tube	Sweeper Shaft Kit 610759	1
34	Hexagonal Screw M4x25		5
35	Hexagonal Screw M5x12	Sweeper Fastener Kit 610758	1
36	6903 Bearing		2
37	Oil Bearing	Sweeper Shaft Kit 610759	3
38	Solid Axes	Sweeper Shaft Kit 610759	1
39	Small Square Hardness Axes Connection	Sweeper Shaft Kit 610759	1
40	Cover		2

BR600 Part Guide



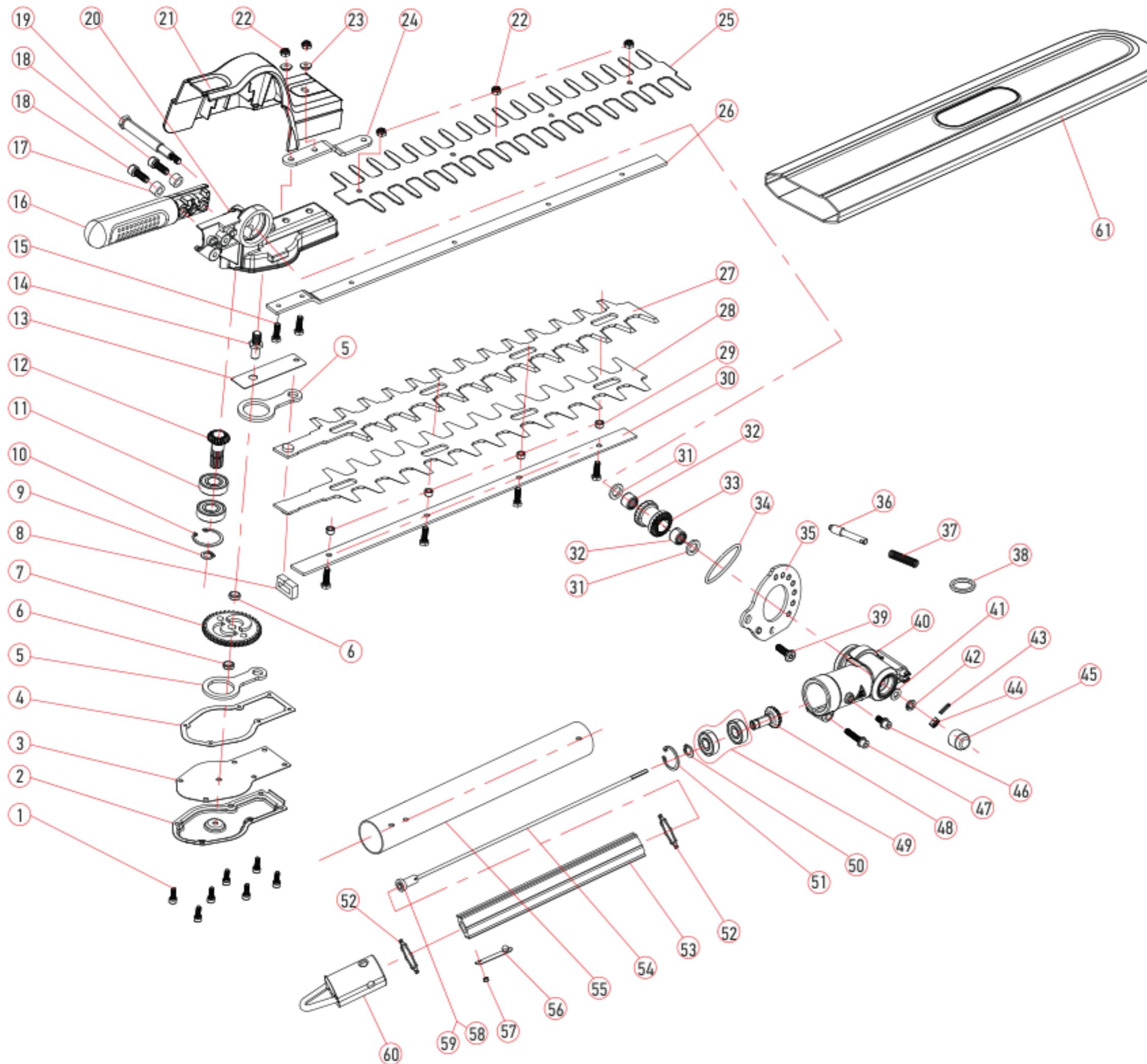
No.	Name	Kit Part Number	Qty.
1	Bearing 24x12x6		2
2	Worm		1
3	Bearing 26x12x4		1
4	Worm Washer		1
5	Retaining Rings for Shaft		2
6	Felt Washer		1
7	Coupling Connects		1
8	Felt Washer		2
9	Retaining Rings for Bore D32xT1.2		4
10	Left Gear Case		1
11	Bearing 32x20x7		2
12	Paper Washer		1
13	Gear Washer D20xT1.0		2
14	Retaining Rings for Shaft D20xL280		2
15	Drive Shaft Assembly		1
16	Key 6x6x16		1
17	Gear		1
18	Right Gear Case		1
19	M10x8 Screw		2
20	M6x16 Hexagonal Flange Screw	Cultivator Fastener Kit 610752	10
21	Tine Assembly	Cultivator Blade Kit 610757	4
22	Tine Shield Assembly	Cultivator Guard Kit 610754	1
23	M6x16 Screw	Cultivator Fastener Kit 610752	4
		Cultivator Guard Kit 610754	4
24	M6 Lock Nut	Cultivator Fastener Kit 610752	4
		Cultivator Guard Kit 610754	4
25	Aluminium Tube	Cultivator Shaft Kit 610756	1
26	Solid Axes	Cultivator Shaft Kit 610756	1
27	Bearing	Cultivator Shaft Kit 610756	3
28	Cover		2
29	Small Square Hardness Axes Connection	Cultivator Shaft Kit 610756	1

CU600 Part Guide



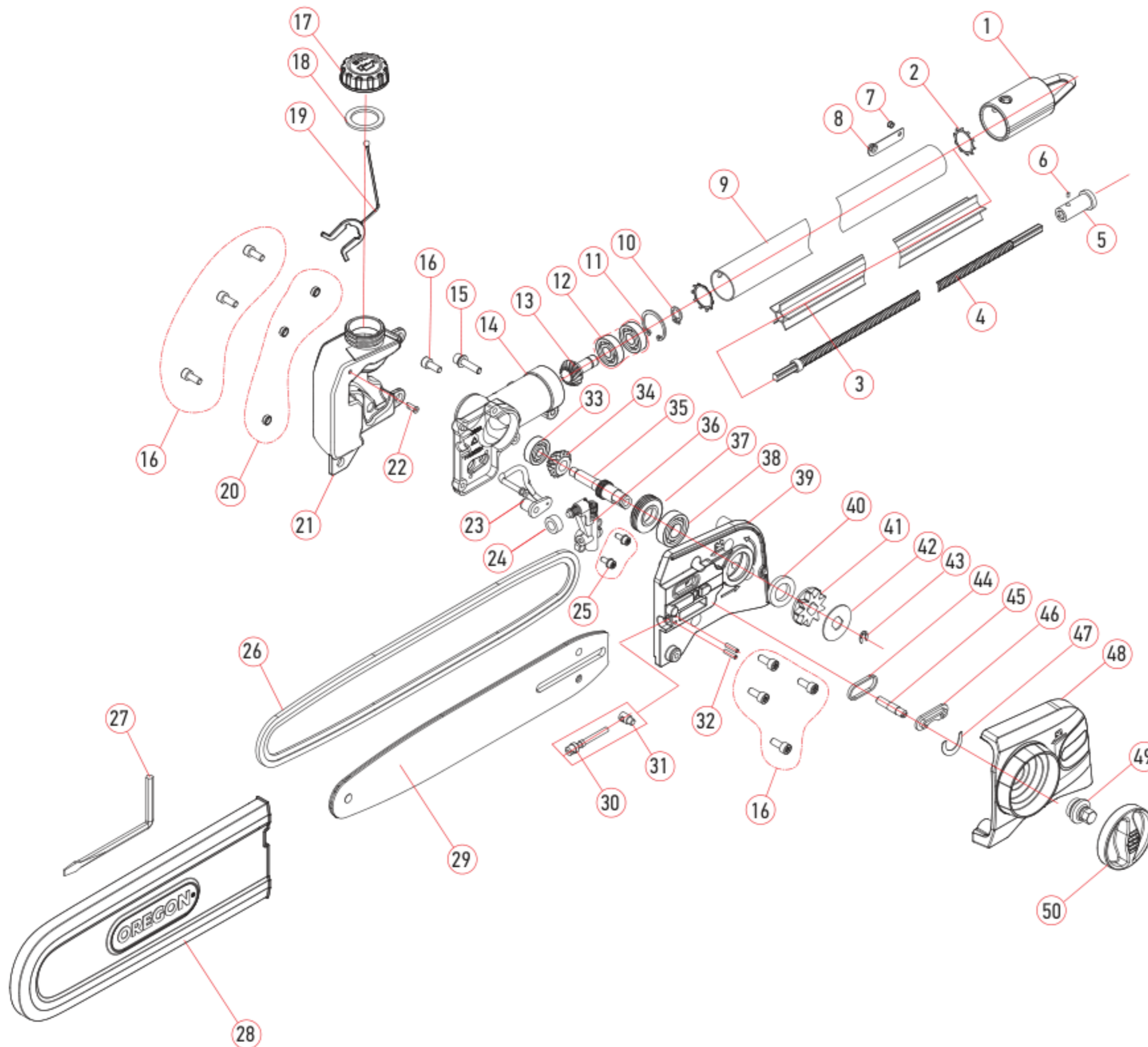
No.	Name	Kit Part Number	Quantity
1	Bolt	Misc. Fastener Kit 595918 Blade Kit 595903	1
2	Saddle Washer	Blade Kit 595903	1
3	EG Blade	Blade Kit 595903	1
4	EG Ring Flange		1
5	EG Safety Guard	Guard Kit 595914	1
6	Screw	Misc. Fastener Kit 595918	1
7	Rubber Guard	Flap Kit 595916	1
8	Washer	Flap Kit 595916	1
9	Screw	Flap Kit 595916 Dead Plate Kit 595917	6
10	Bolt		1
11	Shaft Sleeve		2
12	Dead Plate	Dead Plate Kit 595917	1
13	Road Wheel Tire	Wheel Kit 595915	1
14	Road Wheel Hub	Wheel Kit 595915	1
15	Washer	Misc. Fastener Kit 595918	1
16	Butterfly Nut	Misc. Fastener Kit 595918	1
17	EG Soft Shaft	Shaft Kit 595902	1
18	Star-Shaped Nylon Sleeve	Shaft Kit 595902	1
19	Clamp Spring Washer	Shaft Kit 595902	1
20	Rivet	Shaft Kit 595902	1
21	Clip	Shaft Kit 595902	2
22	Cock Screw	Shaft Kit 595902	1
23	Soft Shaft Connector	Shaft Kit 595902	1
24	Tube Cap	Hanger Cap 597163	1
25	EG Tube	Shaft Kit 595902	1
26	Check Ring for Hole		1
27	Check Ring for Shaft		1
28	Bearing		2
29	Gears		1
30	Washer		1
31	Screw		1
32	Screw		1
33	Gear Box		1
34	Bolt		1
35	Bearing		1
36	Gears		1
37	EG Shaft		1
38	Bearing		1
39	Check Ring for Hole		1
40	Wear Piece		1
41	Spanner		1
42	Bolt		1

EG600 Part Guide



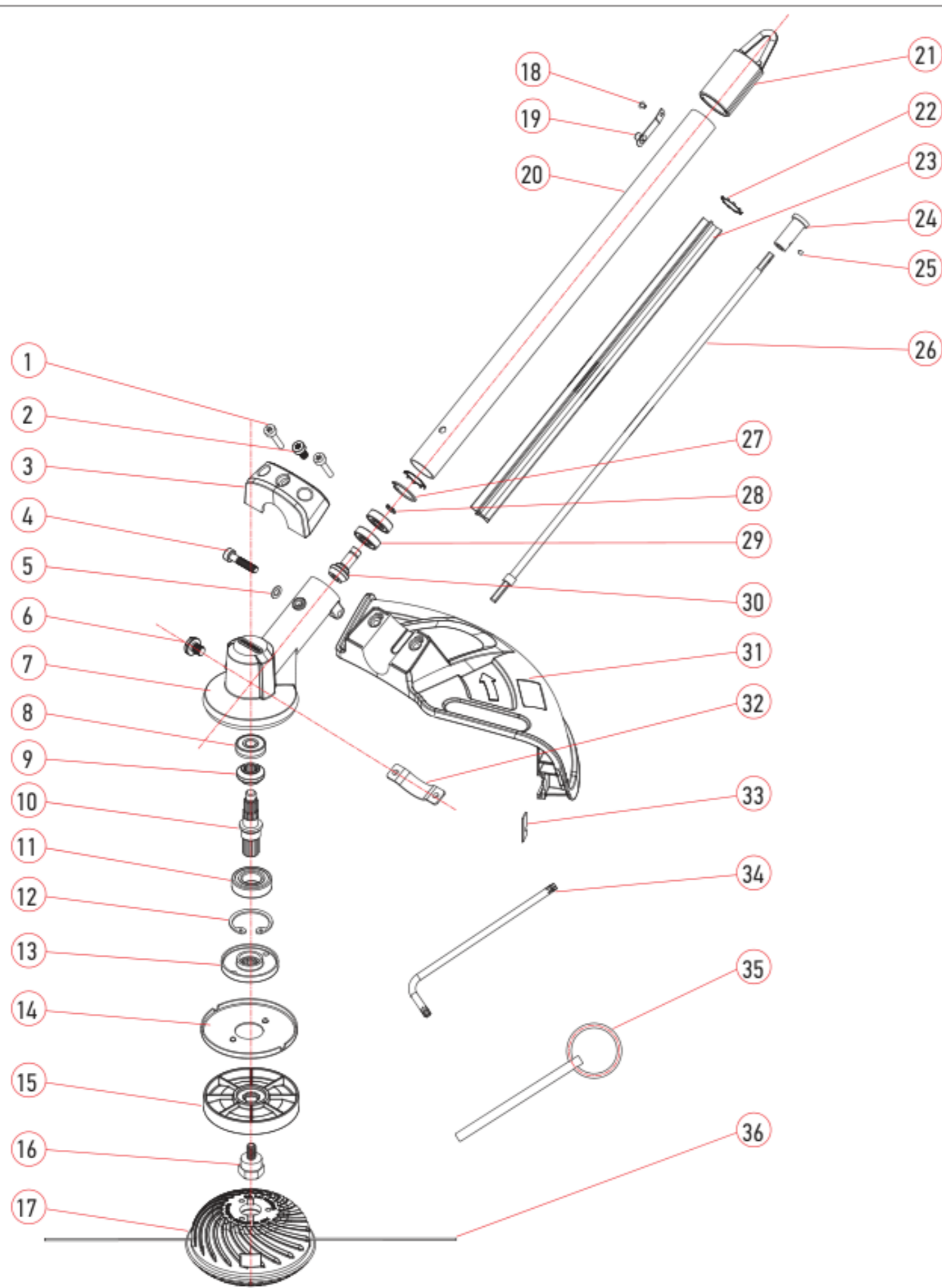
No.	Name	Kit Part Number	Quantity
1	Socket Head Screw	Hardware Kit 595910	7
2	Gearcasing Cover		1
3	Upper Wear-Resisting Washer		1
4	Paper Washer		1
5	Connet Plate		2
6	Wear-Resisting Washer A		2
7	Cam		1
8	Wool Felt		1
9	Elastic Collar Ø12		1
10	Elastic Collar Ø28		1
11	Bearing		2
12	Passivity Gear		1
13	Down Wear-Resisting Washer		1
14	Cam Control Roller		1
15	Hexagon Bolt	Hardware Kit 595910	6
16	Handle	Hardware Kit 595910	1
17	Handle Lining	Hardware Kit 595910	2
18	Socket Head Screw	Hardware Kit 595910	2
19	Shaft		1
20	Big Gear Case		1
21	Case Cover	Decoration Cover Kit 595907	1
22	Nut	Blade Kit 595908	6
23	Washer		2
24	Connect Washer		1
25	Safety Flap		1
26	Sustain Blade		1
27	Upper Blade	Blade Kit 595908	1
28	Down Blade	Blade Kit 595908	1
29	Lining	Blade Kit 595908	4
30	Blade Guard	Blade Kit 595908	1
31	Wear-Resisting Washer B		2
32	Bearing		2
33	Link Gear		1
34	Seal Round		1
35	Arthrosis Plate		1
36	Locking Pin	Adjustment Pin Kit 595911	1
37	Spring	Adjustment Pin Kit 595911	1
38	Locking Ring	Adjustment Pin Kit 595911	1
39	Shoulder Screw		1
40	Small Gear Case		1
41	Washer		1
42	Washer		1
43	Pin		1
44	Socket Head Nut		1
45	Protect Cover		1
46	Socket Head Screw	Hardware Kit 595910	1
47	Socket Head Screw	Hardware Kit 595910	1
48	Driving Gear		1
49	Bearing		2
50	Elastic Collar Ø9		1
51	Elastic Collar Ø24		1
52	Ring	Shaft Kit 595909	2
53	Star Shape Nylon Tube	Shaft Kit 595909	1
54	Soft Shaft	Shaft Kit 595909	1
55	Straight Tube	Shaft Kit 595909	1
56	Spring Slice	Shaft Kit 595909	1
57	Bush	Shaft Kit 595909	1
58	Soft Shaft Connector	Shaft Kit 595909	1
59	Hexagon Socket Set Screws	Shaft Kit 595909	1
60	Tube Cap	Hanger Cap 597163	1
61	Scabbard	Bar Cover 595906	1

HT600 Part Guide



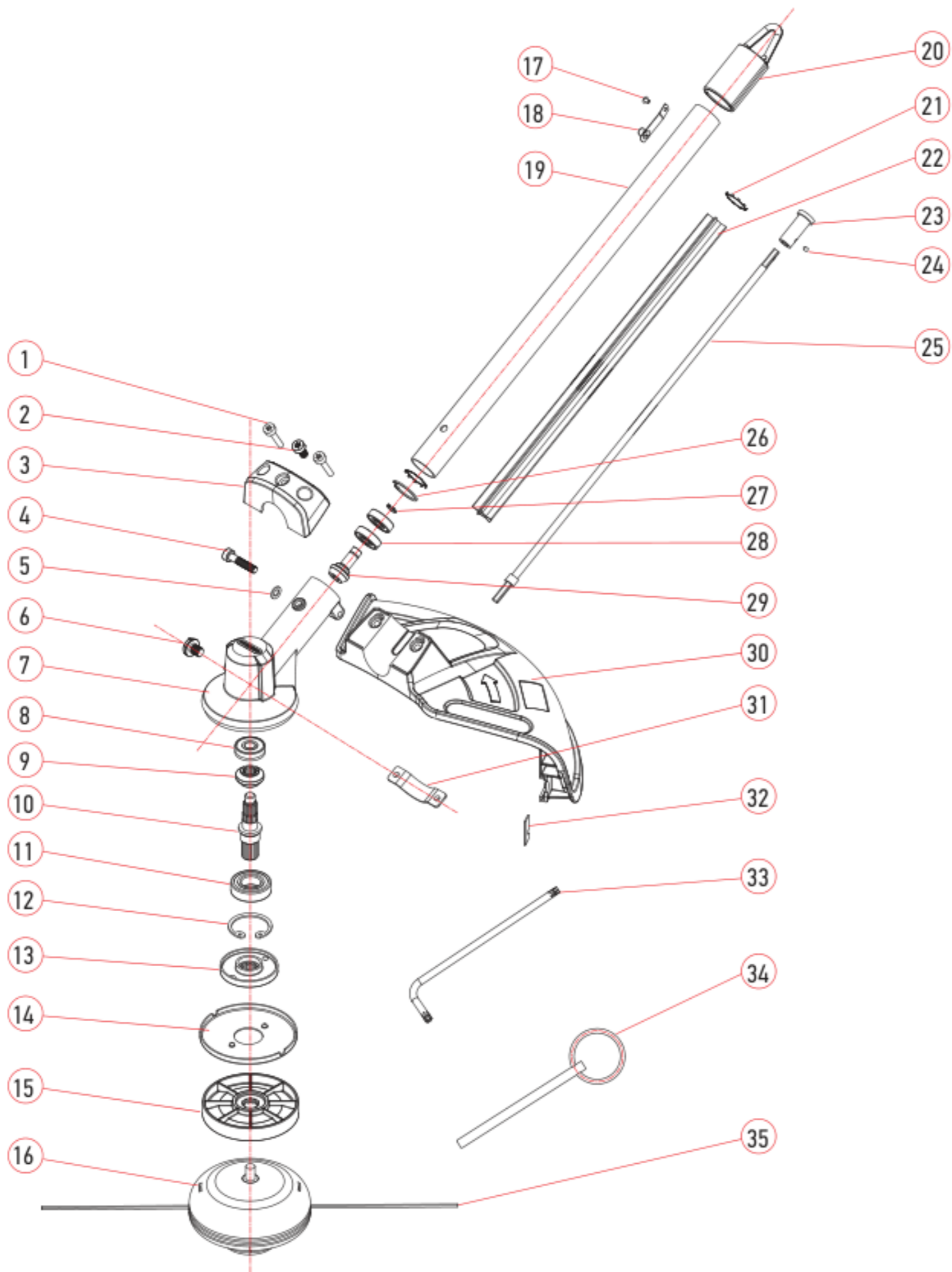
No.	Name	Kit Part Number	Quantity
1	Tube Cap	Hanger Cap 597163	1
2	Ring		1
3	Star Shape Nylon Tube		1
4	Soft Shaft		1
5	Soft Shaft Connector		1
6	Hexagon Socket Set Screws		1
7	Bush		1
8	Spring Slice		1
9	Straight Tube		1
10	Elastic Collar		1
11	Elastic Collar		1
12	Bearing		2
13	Small Gear		1
14	Gear Case		1
15	Socket Head Screw		1
16	Hexagonal Bolt	Oil Tank Kit 595921	1
17	Oil Tank Cap	Oil Cap Kit 595920	1
18	Gasket Ring	Oil Cap Kit 595920	1
19	Oil Tank Cap Padlock	Oil Cap Kit 595920	1
20	Oil Tank Bush	Oil Tank Kit 595921	3
21	Oil Tank	Oil Tank Kit 595921	1
22	Gum Valve	Oil Tank Kit 595921	1
23	Oil Pipe		1
24	Sponge		1
25	Hexagonal Bolt		1
26	Chain	Replacement Chain 25AP058G (NA) 25AP058E (EU)	1
27	Trigger		1
28	Scabbard	Bar Cover Kit 595919	1
29	Bar	Replacement Bar 100SDAA041	1
30	Regulating Screw	Tensioner Kit 595905	1
31	Nut	Tensioner Kit 595905	1
32	Spring Pin	Tensioner Kit 595905	2
33	Bearing	Output Shaft Kit 595922	1
34	Big Gear	Output Shaft Kit 595922	1
35	Output Axle	Output Shaft Kit 595922	1
36	Oil Pump		1
37	Worm Wheel		1
38	Bearing	Tensioner Kit 595905	1
39	Cover Board	Tensioner Kit 595905	1
40	Washer 2	Tensioner Kit 595905	1
41	Sprocket	Sprocket Kit 595913	1
42	Washer	Sprocket Kit 595913	1
43	Elastic Collar	Sprocket Kit 595913	1
44	Sealing Ring		1
45	Bolt		1
46	Oil Check		1
47	Circlip	Cover Kit 595904	1
48	Protect Slab	Cover Kit 595904	1
49	Fixture Insert	Cover Kit 595904	1
50	Knob Subassembly	Cover Kit 595904	1

PS600 NA Part Guide



No.	Name	Kit Part Number	Quantity
1	Screw	Misc. Fastener Kit 595898 Guard Kit 595860	2
2	Screw	Misc. Fastener Kit 595898	1
3	Shroud Cover	Guard Kit 595860	1
4	Screw	Gearbox Kit 595896	1
5	Washer	Gearbox Kit 595896	1
6	Bolt	Gearbox Kit 595896	1
7	Gear Box		1
8	Bearing		1
9	Gears		1
10	GT Shaft		1
11	Bearing		1
12	Check Ring For Hole		1
13	GT Ring Flange		1
14	Positioning Plate		1
15	Insulate Cover		1
16	Trimmer Bolt		1
17	Trimmer Head	EU Trimmer Head 595901	1
18	Rivet	Shaft Kit 595895	1
19	Clamp Spring Washer	Shaft Kit 595895	1
20	GT Tube	Shaft Kit 595895	1
21	Tube Cap	Hanger Cap 597163	1
22	Clip	Shaft Kit 595895	2
23	Star-Shaped Nylon Sleeve	Shaft Kit 595895	1
24	Soft Shaft Connector	Shaft Kit 595895	1
25	Cock Screw	Shaft Kit 595895	1
26	GT Soft Shaft	Shaft Kit 595895	1
27	Check Ring for Hole		1
28	Check Ring for Shaft		1
29	Bearing		2
30	Gears		1
31	GT Safety Guard-NA	Guard Kit 595860	1
32	Pressing Plate	Guard Kit 595860	1
33	Blade	Guard Kit 595860	1
34	Spanner		1
35	Bolt		1
36	Replacement Line	Replacement Line EU 539162	1

ST600 EU Part Guide



No.	Name	Kit Part Number	Quantity
1	Screw	Misc. Fastener Kit 595898 Guard Kit 595860	2
2	Screw	Misc. Fastener Kit 595898	1
3	Shroud Cover	Guard Kit 595860	1
4	Screw	Gearbox Kit 595896	1
5	Washer	Gearbox Kit 595896	1
6	Bolt	Gearbox Kit 595896	1
7	Gear Box		1
8	Bearing		1
9	Gears		1
10	GT Shaft		1
11	Bearing		1
12	Check Ring for Hole		1
13	GT Ring Flange		1
14	Positioning Plate		1
15	Insulate Cover		1
16	Trimmer Head	NA Trimmer Head 595897	1
17	Rivet	Shaft Kit 595895	1
18	Clamp Spring Washer	Shaft Kit 595895	1
19	GT Tube	Shaft Kit 595895	1
20	Tube Cap	Shaft Kit 595895	1
21	Clip	Hanger Cap 597163	2
22	Star-Shaped Nylon Sleeve	Shaft Kit 595895	1
23	Soft Shaft Connector	Shaft Kit 595895	1
24	Cock Screw	Shaft Kit 595895	1
25	GT Soft Shaft	Shaft Kit 595895	1
26	Check Ring for Hole		1
27	Check Ring for Shaft		1
28	Bearing		2
29	Gears		1
30	GT Safety Guard-NA	Guard Kit 595860	1
31	Pressing Plate	Guard Kit 595860	1
32	Blade	Guard Kit 595860	1
33	Spanner		1
34	Bolt		1
35	Replacement Line	Replacement Line NA 24-280-03	1

ST600 NA Part Guide

OREGON®

BLOUNT
INTERNATIONAL

BLOUNT EUROPE
Rue Emile Francqui, 5
1435 Belgique
Belgium