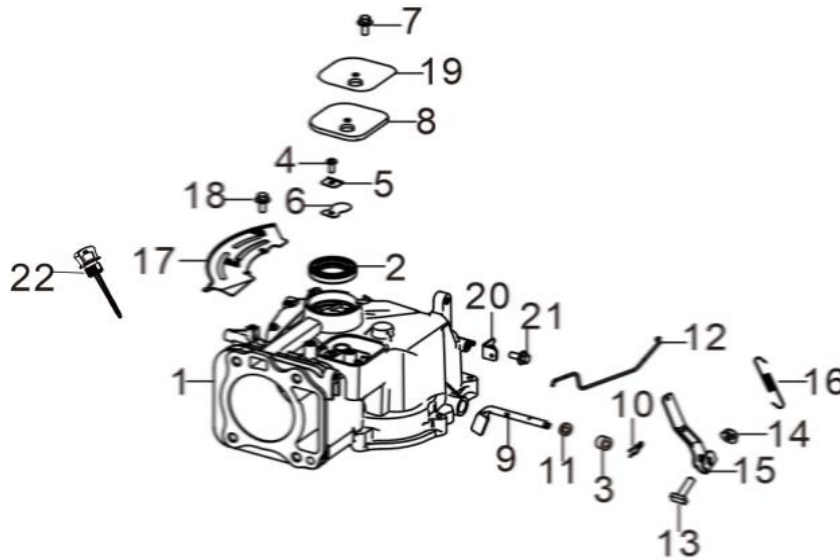


MP15G-D lawnmower & engine

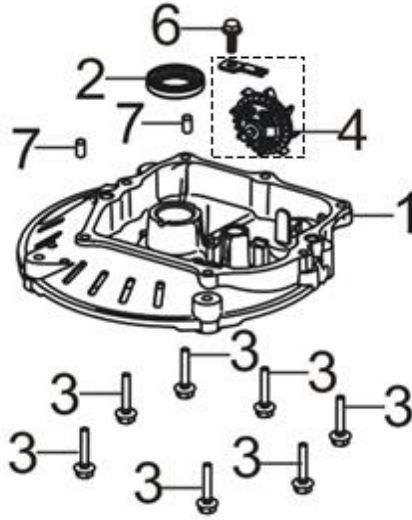
FIG.1 CRANKCASE. / GEAR ASSY, GOVERNOR. (E01)



REF.NO. 序号	PART NO 物料代码	DESCRIPTION 英文名	Q'TY 数量
E01-1	11310-Z3E0412-00A0	Crankcase Subassembly.	1
E01-2	90682-Z240110-00A0	Seal, Oil	1
E01-3	90682-Z030210-00A0	Seal, Oil	1
E01-4	90103-0410-51A0	Cross-Recessed Pan Head Screw	1
E01-5	11337-Z2P0110-00A0	Breath Sheet Stop Plate	1
E01-6	11321-Z2P0110-00A0	Breath Sheet	1
E01-7	90007-0512-A1A0	Bolt	1
E01-8	11333-Z2P0110-00A0	Plate, Breath Groove Cover	1
E01-9	16061-Z2P0110-00A0	Arm, Governor	1
E01-10	90501-Z010110-00A0	Cotter Pin	1
E01-11	90412-Z870210-00A0	Flat Washer	1
E01-12	16062-Z2P0110-00A0	Rod, Governeor	1
E01-13	16072-Z010110-00A0	Bolt, Governor Support	1
E01-14	90305-0600-31A0	Hexagon Nut With Flange	1
E01-15	16070-Z2P0110-00A1	Governor Bracket Subassembly	1
E01-16	16063-Z2P0110-00A0	Spring, Governor	1
E01-17	19308-Z2P0111-00A0	Body Left Shield	1
E01-18	90007-0512-A1A0	Bolt	1
E01-19	11332-Z2P0111-00A0	Gasket, Breath Groove	1
E01-20	16561-Z2P0110-00A0	Throtile Operating Bottom Plate	1
E01-21	90007-0512-A1A0	Bolt	1
E01-22	15010-Z2P0110-Q2A0	Dipstick Subassembly, Oil	1

MP15G-D lawnmower & engine

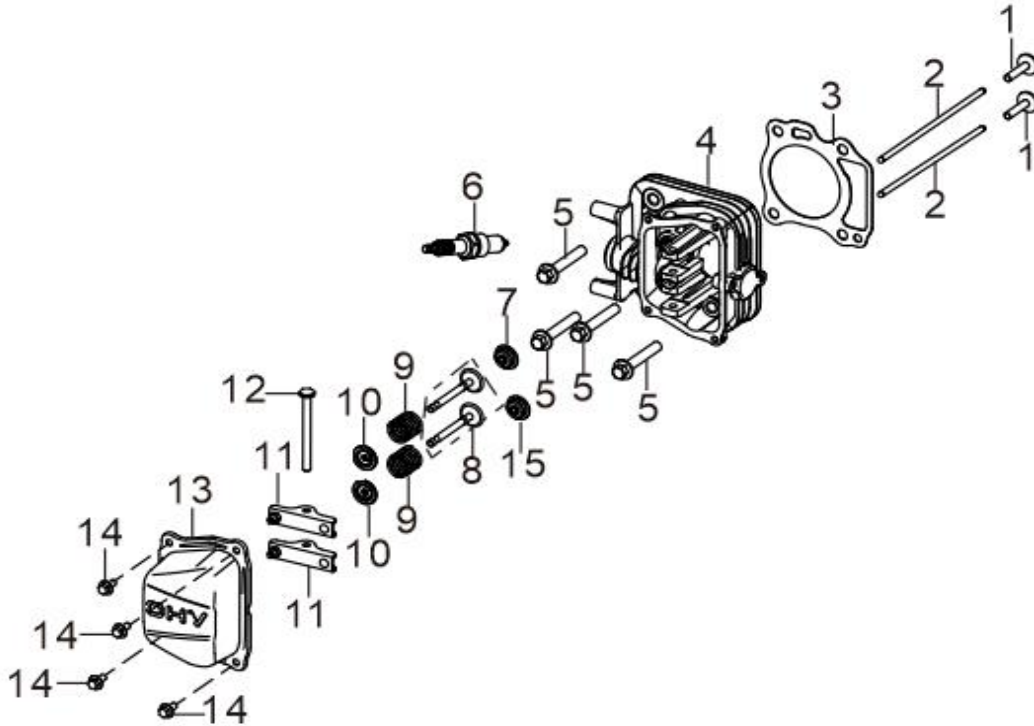
FIG.2 COVER SUBASSEMBLY, CRANKCASE (E02)



REF.NO. 序号	PART NO 物料代码	DESCRIPTION 英文名	Q'TY 数量
E02-1	11411-Z2P0112-00A0	Cover, Crankcase	1
E02-2	90682-Z030320-00A0	Seal, Oil	1
E02-3	90001-0630-01A0	Bolt	7
E02-4	16400-Z2P0210-00A0	Gear Assy, Governor	1
E02-6	90001-0614-01A0	Bolt	1
E02-7	90502-0812-00A0	Position Pin	2

MP15G-D lawnmower & engine

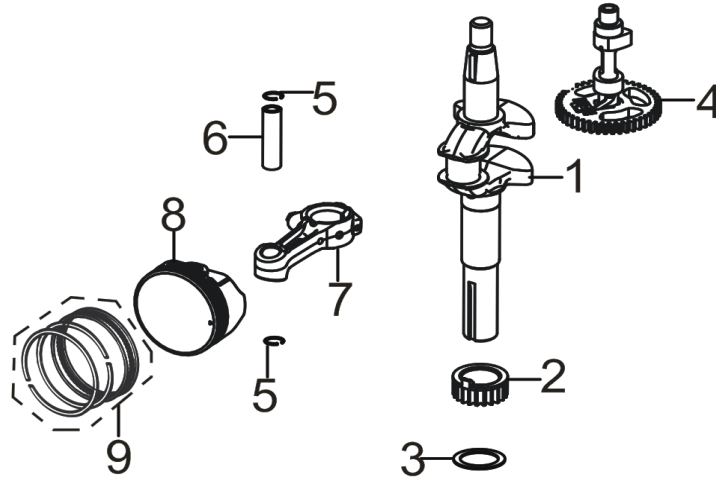
FIG.3 HEAD SUBASSEMBLY, CYLINDER/PLUG,SPARK (E03)



REF.NO. 序号	PART NO 物料代码	DESCRIPTION 英文名	Q'TY 数量
E03-1	14081-Z2P0110-00A0	Tappet, Valve	2
E03-2	14071-Z2P0110-00A0	Lifter, Valve	2
E03-3	12131-Z3E0210-00A0	Gasket, Cylinder Head	1
E03-4	12140-Z3E0214-00A0	Head Subassembly, Cylinder	1
E03-5	90001-0845-01A0	Bolt	4
E03-6	30010-Z120110-00A1	Plug, Spark	1
E03-7	12101-Z010110-00A0	Guide, Seal	1
E03-8	12110-Z2P0110-00A0	Valves Set	1
E03-9	12103-Z030110-00A0	Spring, Valve	2
E03-10	12112-Z010110-00A0	Seat, Valve Spring	2
E03-11	14310-Z2P0110-00A0	Rocker Subassembly, Valve	2
E03-12	14330-Z2P0110-00A0	Shaft, Valve Rocker	1
E03-13	12411-Z2P0110-00A0	Cover, Cylinder Head	1
E03-14	90007-0512-A1A0	Bolt	4
E03-15	12101-Z030111-00A0	Guide, Seal	1

MP15G-D lawnmower & engine

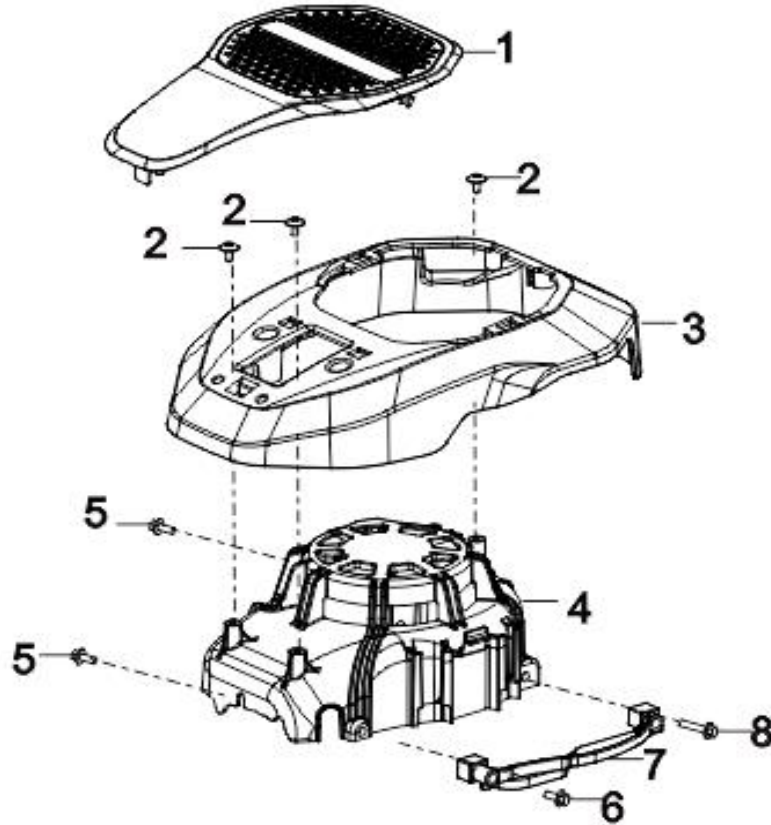
FIG.4 ROD,CRANKSHAFT CONNETING (E04)



REF.NO. 序号	PART NO 物料代码	DESCRIPTION 英文名	Q'TY 数量
E04-1	13300-Z2P0910-00A0	Crankshaft Assy.	1
E04-2	14014-Z2P0211-00A0	Gear, Timing Drive	1
E04-3	90408-Z030310-00A0	Flat Washer	1
E04-4	14200-Z2P0210-00A0	Camshaft Assy.	1
E04-5	13122-Z240110-00A0	Clip, Piston Pin	2
E04-6	13121-Z240110-00A0	Pin, Piston	1
E04-7	13010-Z2P0112-00A0	Rod, Connecting	1
E04-8	13111-Z3E0211-08A0	Piston	1
E04-9	13200-Z3E0110-00A0	Ring Assy, Piston	1

MP15G-D lawnmower & engine

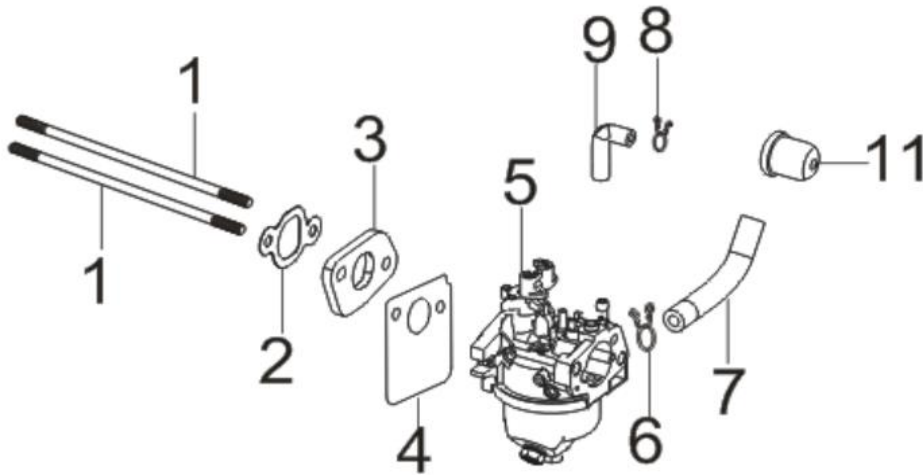
FIG.5 STARTER,RECOIL E05)



REF.NO. 序号	PART NO 物料代码	DESCRIPTION 英文名	Q'TY 数量
E05-1	80075-Z2P0910-Q200	Coping, Engine Couter Cover	1
E05-2	90124-Z2P0210-01A0	Self-Tapping Screw	3
E05-3	80082-Z2P0610-Q2A0	Engine Housing Body	1
E05-4	28200-Z2P1210-Q2A0	Starter Assy, Recoil	1
E05-5	90007-0520-A1A0	Bolt	2
E05-6	90007-0525-A1A0	Hexagon Socket Flange Face Bolt - Big Series	1
E05-7	19309-Z2P0110-00A0	Body Right Shield	1
E05-8	90007-0535-A1A0	Hexagon Socket Flange Face Bolt - Big Series	1

MP15G-D lawnmower & engine

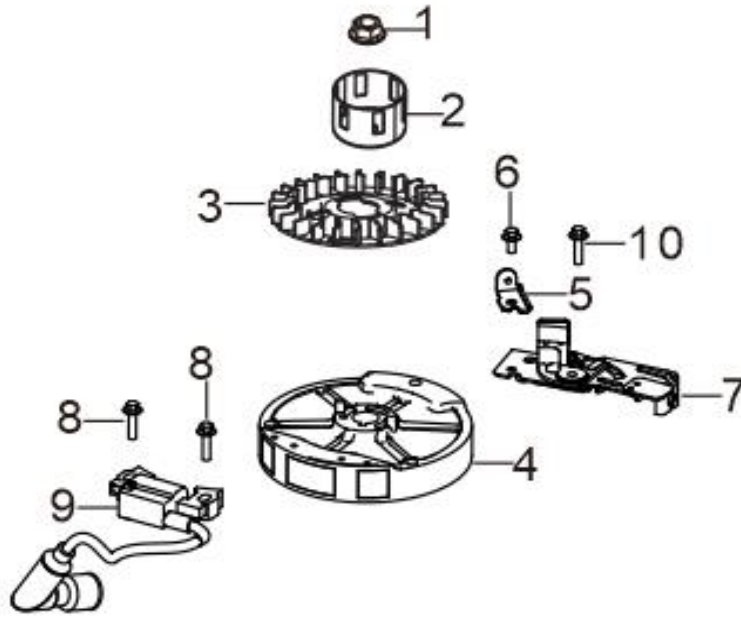
FIG.6 CARBURETOR ASSY. (E06)



REF.NO. 序号	PART NO 物料代码	DESCRIPTION 英文名	Q'TY 数量
E06-1	90204-Z010210-01A0	Stud Bolt	2
E06-2	17002-Z2P0110-00A0	Gasket, Inlet	1
E06-3	16003-Z2P0110-00A0	Plate, Carburetor Insulator	1
E06-4	16004-Z2P0110-00A0	Gasket, Insulator Plate	1
E06-5	16100-Z3E0410-00M0	Carburetor Assy.	1
E06-6	90685-1000-01A0	Pipe Clamp	1
E06-7	90686-Z2P0810-00M0	Tube, Fuel	1
E06-8	90685-0700-01A0	Pipe Clamp	2
E06-9	16211-Z2P0310-00A0	Tube, Starting Riched Valve	1
E06-11	16210-Z2P0110-00A0	Valve, Starting Riched	1

MP15G-D lawnmower & engine

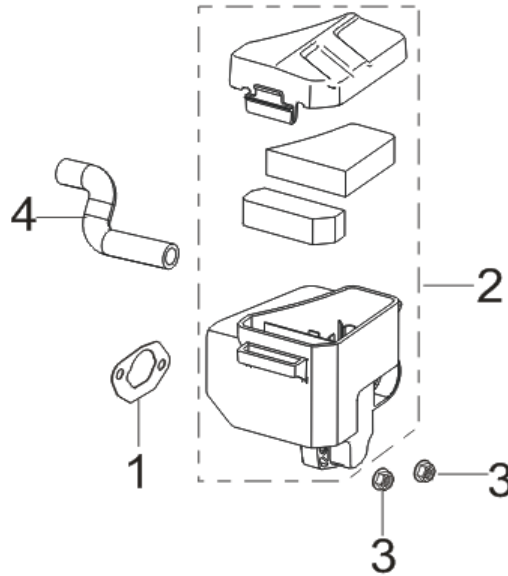
FIG.7 FLYWHEEL/IMPELLER/STARTER PULLEY/IGNITION COIL (E07)



REF.NO. 序号	PART NO 物料代码	DESCRIPTION 英文名	Q'TY 数量
E10-1	13501-Z010110-00A0	Nut, Flywheel	1
E10-2	28002-Z2P0311-01A0	Pulley, Starter	1
E10-3	19352-Z2P0610-00A0	Impeller	1
E10-4	13510-Z2P0612-00A0	Flywheel Subassembly	1
E10-5	30029-Z2P0110-00A0	Lug, Shroud	1
E10-6	90007-0514-A1A0	Bolt	1
E10-7	45200-Z2P0413-00A1	Brake Assy.	1
E10-8	90007-0525-A1A0	Bolt	2
E10-9	30400-Z2P0110-00A0	Coil, Ignition	1
E10-10	90007-0520-A1A0	Bolt	1

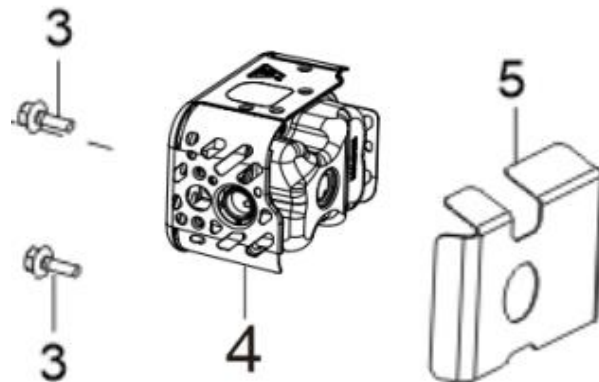
MP15G-D lawnmower & engine

FIG.8 CLEANER, AIR (F01)



REF.NO. 序号	PART NO 物料代码	DESCRIPTION 英文名	Q'TY 数量
F01-1	17001-Z2P0110-00A0	Air Cleaner Seal Gasket	1
F01-2	17100-Z2P0810-00A0	Air Cleaner	1
F01-3	90305-0600-31A0	Hexagon Nut With Flange	2
F01-4	17004-Z2P0610-00A0	Tube, Breather	1

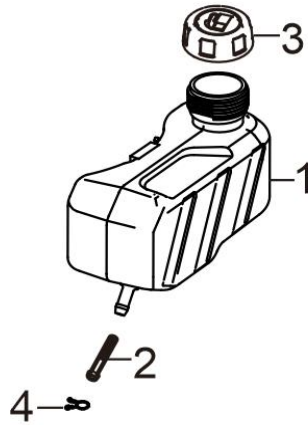
FIG.9 MUFFLER ASSY. (F02)



REF.NO. 序号	PART NO 物料代码	DESCRIPTION 英文名	Q'TY 数量
F02-3	90001-0616-01A0	Hexagon Socket Flange Face Bolt - Small Ser	2
F02-4	18100-Z2P1711-00A0	Muffler Assy.	1
F02-5	18020-Z2P0112-00A0	Plate, Muffler Insulator	1

MP15G-D lawnmower & engine

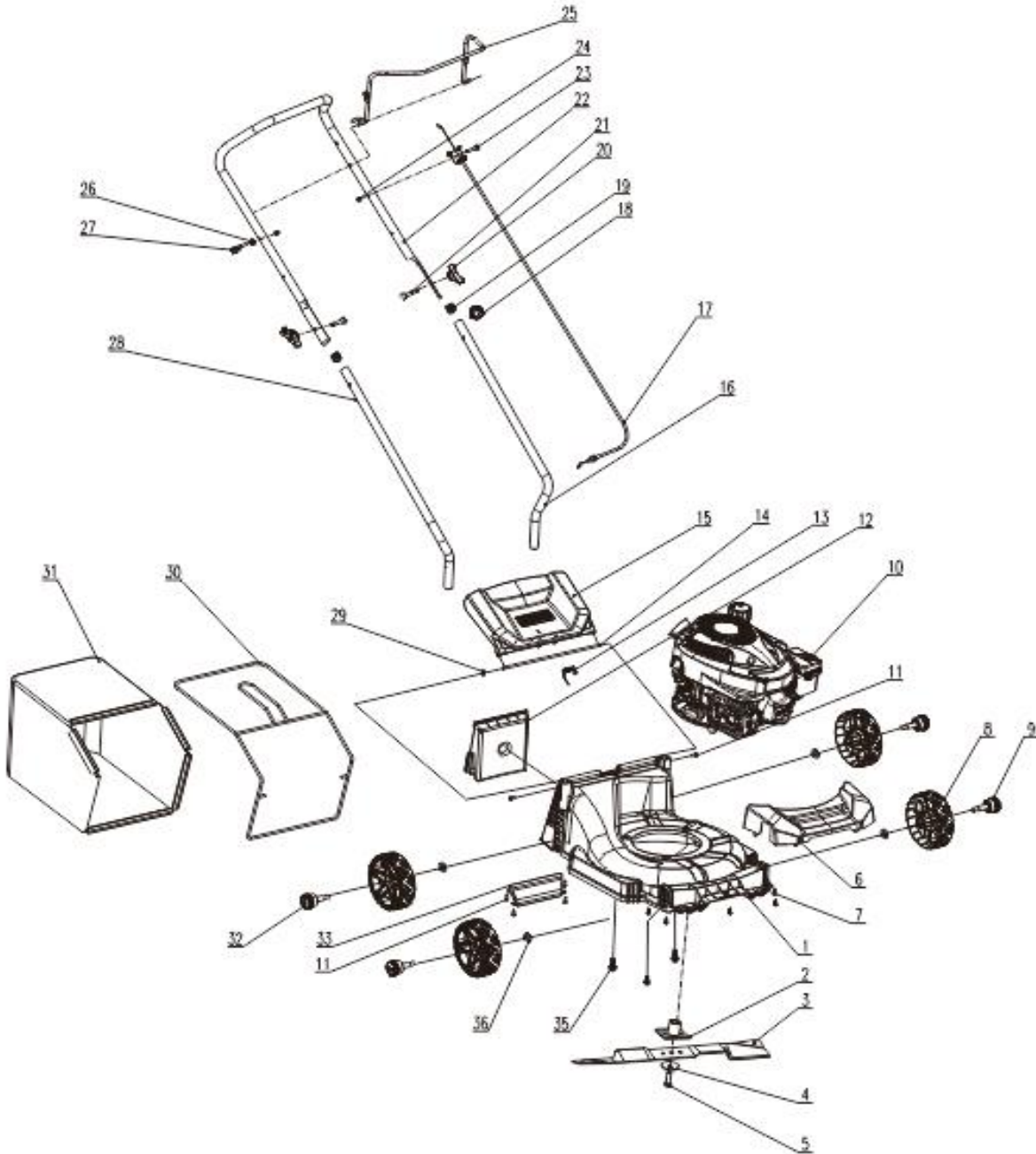
FIG.10 TANK ASSY, FUEL (F03)



REF.NO. 序号	PART NO 物料代码	DESCRIPTION 英文名	Q'TY 数量
F03-1	16600-Z2P0210-Q2A0	Tank Assy, Fuel	1
F03-2	16652-Z030110-00A0	Strainer, Fuel	1
F03-3	16730-Z250210-00A0	Cover, Fuel Tank	1
F03-4	90685-1000-01A0	Pipe Clamp	1

MP15G-D lawnmower & engine

FIG.11 LAWNMOWER SPARE PARTS (F04)



MP15G-D lawnmower & engine			
REF.NO. 序号	PART NO 物料代码	DESCRIPTION 英文名	Q'TY 数量
F04-1	75001-G510110-Q200	Deck	1
F04-2	73002-G160110-00A0	Blade Adapter	1
F04-3	73101-G200111-00A0	Blade	1
F04-4	16552-G510110-0000	Disc Washer	1
F04-5	90007-Z2P0310-00A0	Hexagon Socket Flange Face Bolt - Big Series	1
F04-6	79243-G510110-Q200	Hood	1
F04-7	90120-5012-03	Hybrid Cross Recessed Pan Head Tapping Screw	5
F04-8	40206-G510110-Q200	Push Wheel	4
F04-9	48001-G510110-RD00	Left Axle	2
F04-10	R0G0Z3E01U-0000008		1
F04-11	90107-4216-01A0	Cross-Recessed Pan Head Self-Tapping Screw	6
F04-12	79211-G510110-Q200	Rear Mulching Plug	1
F04-13	79258-G510110-0000	Rear Deflector Spring	1
F04-14	79259-G510110-0000	Rear Deflector Plank	1
F04-15	79257-G510110-Q200	Rear Deflector	1
F04-16	79231-G510110-H700	Inferior Handle	1
F04-17	79213-G200110-00A0	Flame-Out Cable	1
F04-18	90684-U070111-0000	Wire Clip	1
F04-19	90722-G510110-0000	Plug, End	2
F04-20	79226-G080110-RD00	Fast Screw	2
F04-21	90031-G080110-0000	Special-Shaped Bolts	2
F04-22	79223-G080110-H7A0	Upper Handle	1
F04-23	90211-G080110-00A0	Cross Recessed Shaped Bolts	1
F04-24	90314-0600-31	Acorn Hexagon Nuts	2
F04-25	79224-G160210-RD00	Brake Lever	1
F04-26	90305-0600-3108	Hexagon Nut With Flange	1
F04-27	79278-G080110-00A0	Bent Rope Bolt	1
F04-28	79231-G510210-H700	Inferior Handle	1
F04-29	90575-0500-0601	Split Washer	1
F04-30	79276-G510110-0000	Frame	1
F04-31	79267-G510110-0002	Bag, Catch	1
F04-32	48002-G510110-RD00	Right Axle	2
F04-33	79280-G510110-Q200	Straw Outlet Baffle	1
F04-35	90039-0835-0101	Bolt	3
F04-36	90408-1000-E108	Flat Washer - Grade A	4