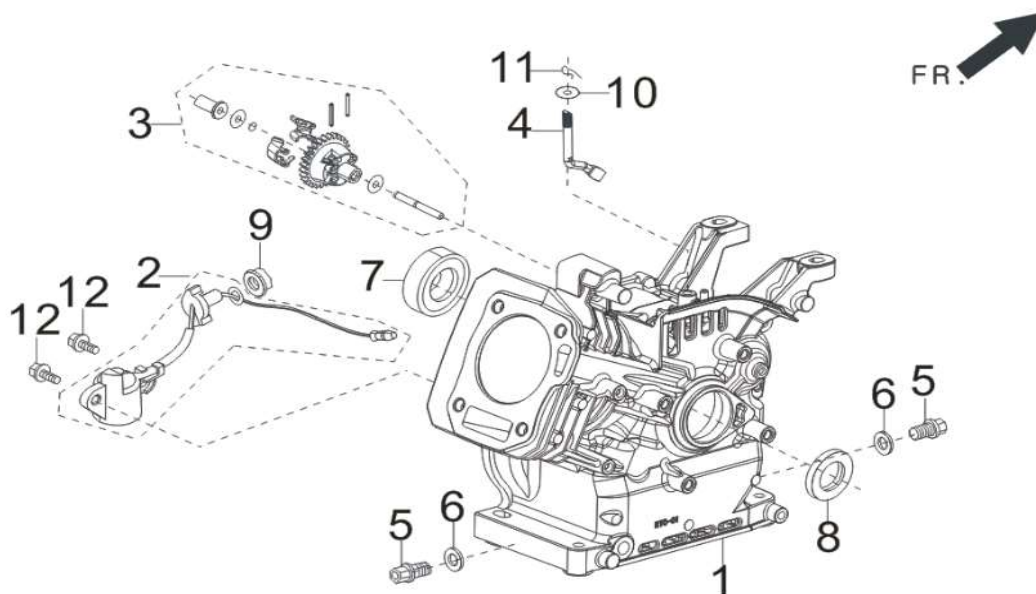
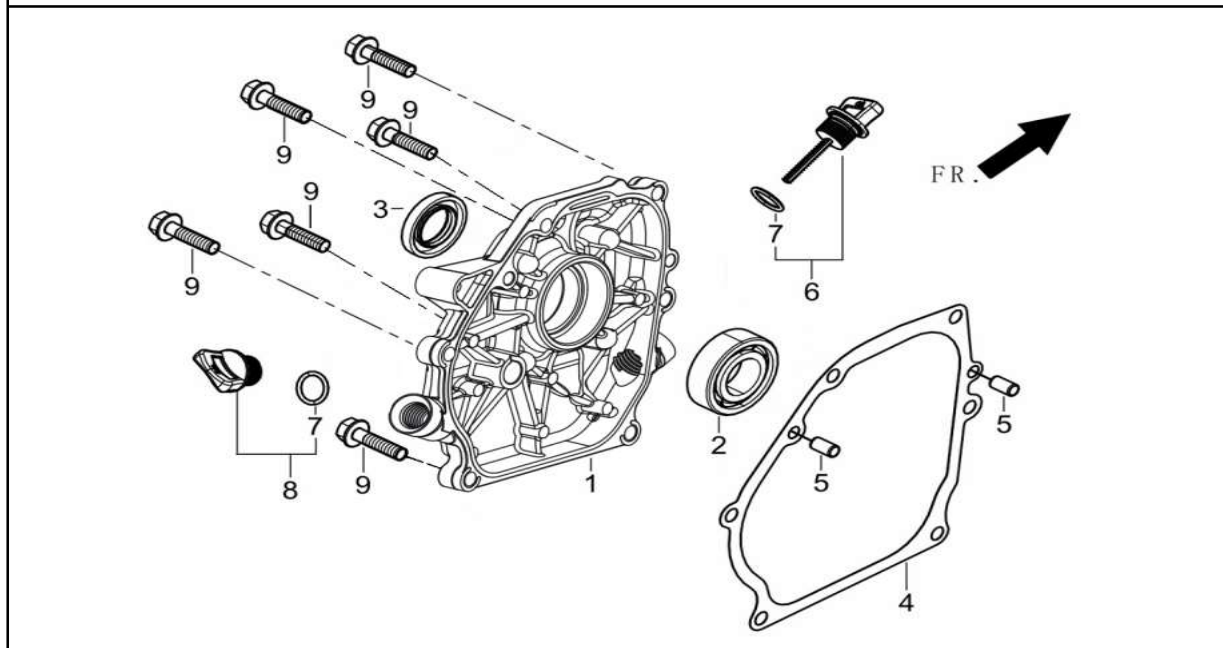


# RG3.6-75Q-D-II

FIG.1 CRANKCASE. / GEAR ASSY, GOVERNOR. 曲轴箱体部件 + 调速齿轮部件(E01)

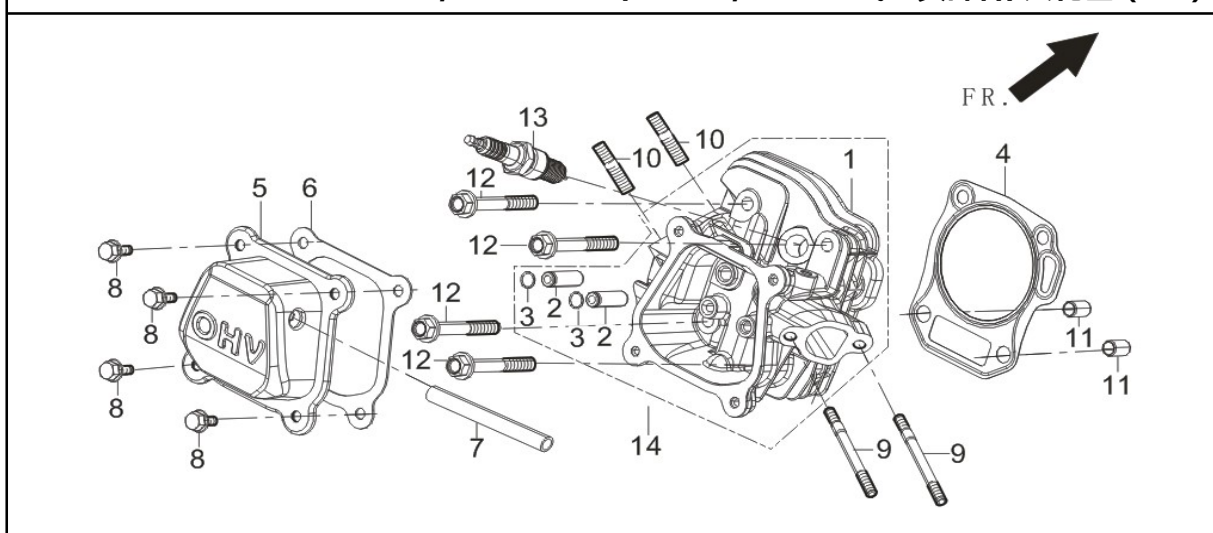


REF.NO. 序号	PART NO 物料代码	DESCRIPTION 英文名	Q'TY 数量	包装数
E01-1	11310-Z530420-00A9	CRANKCASE SUBASSEMBLY.	1	1
E01-2	37060-Z010120-00A0	SENSOR, ENGINE OIL	1	1
E01-3	16400-Z010110-00A0	GEAR ASSY, GOVERNOR	1	1
E01-4	16061-Z010110-00A0	ARM, GOVERNOR	1	1
E01-5	11007-Z010110-00A0	BOLT, DRAIN PLUG	2	1
E01-6	90408-Z010110-00A0	WASHER, FLAT	2	1
E01-7	90547-0205-CLA0	BEARIN, DEEP GROOVE BALL	1	1
E01-8	90682-Z300110-00A0	SEAL, OIL	1	1
E01-9	90305-Z010210-01A0	NUT	1	1
E01-10	90408-Z010210-00A0	WASHER, FLAT	1	1
E01-11	90501-Z010110-00A0	PIN	1	1
E01-12	90001-0614-01A0	BOLT	2	1

**FIG.2 COVER SUBASSEMBLY, CRANKCASE 曲轴箱盖部件(E02)**

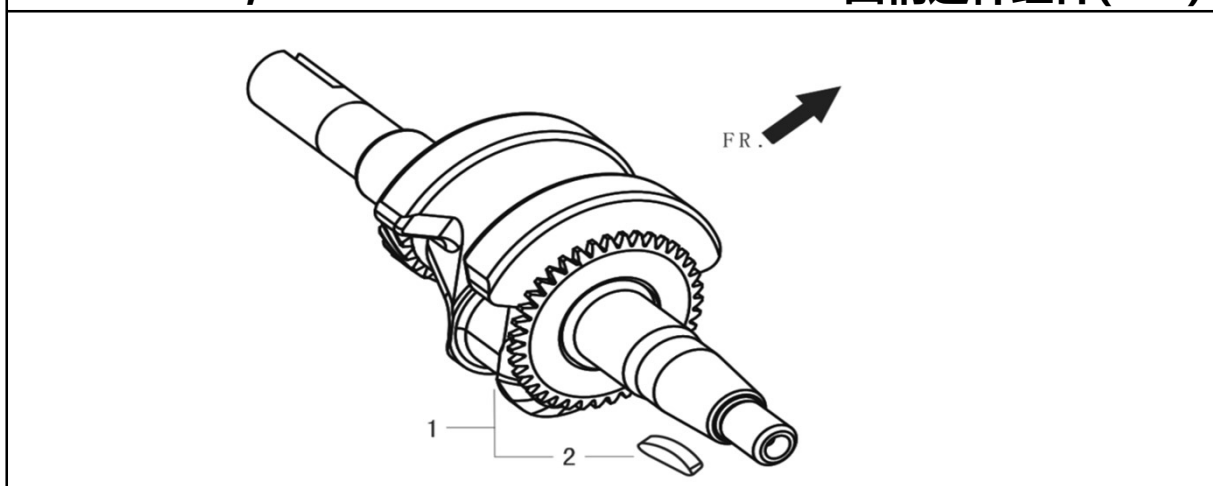
REF.NO. 序号	PART NO 物料代码	DESCRIPTION 英文名	Q'TY 数量	包装数
E02-1	11411-Z440310-00A0	COVER, CRANKCASE	1	1
E02-2	90547-0205-CLA0	BEARIN, DEEP GROOVE BALL	1	1
E02-3	90682-Z300110-00A0	SEAL, OIL	1	1
E02-4	11001-Z440110-00A0	GASKET, CRANKCASE	1	1
E02-5	90502-0912-00A0	PIN	2	1
E02-6	15010-Z010130-Q5A0	DIPSTICK SUBASSEMBLY, OIL	1	1
E02-8	15030-Z010130-Q5A0	PLUG SUBASSEMBLY, ENGINE OIL	1	1
E02-9	90001-0832-01A0	BOLT	6	1

**FIG.3 HEAD SUBASSEMBLY, CYLINDER / PLUG,SPARK 气缸头部件/火花塞 (E03)**

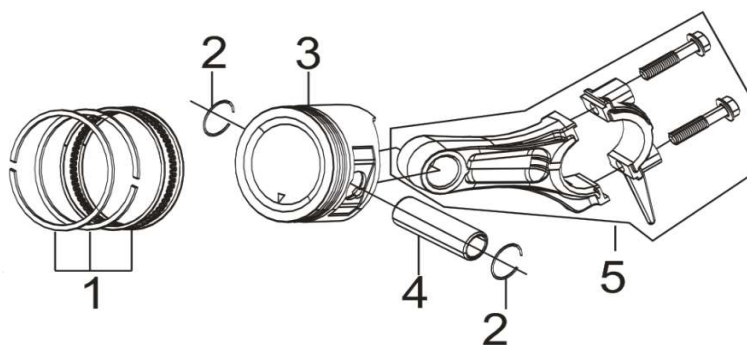


REF.NO. 序号	PART NO 物料代码	DESCRIPTION 英文名	Q'TY 数量	包装数
E03-4	12131-Z950110-00A0	GASKET, CYLINDER HEAD	1	1
E03-5	12410-Z300120-00A0	COVER SUBASSEMBLY, CYLINDER HEAD	1	1
E03-6	12004-Z010110-00A0	GASKET, CYLINDER HEAD COVER	1	1
E03-7	17004-Z440110-00A0	TUBE, BREATHER	1	1
E03-8	90001-0612-01A0	BOLT	4	1
E03-9	90204-Z010310-01A0	BOLT	2	1
E03-10	90203-Z010110-01A0	BOLT	2	1
E03-11	90502-1114-00A0	PIN	2	1
E03-12	12003-Z010110-00A0	BOLT, CYLINDER HEAD	4	1
E03-13	30010-Z010110-00A0	PLUG, SPARK	1	1
E03-14	12140-Z810210-00A0	HEAD SUBASSEMBLY, CYLINDER	1	1

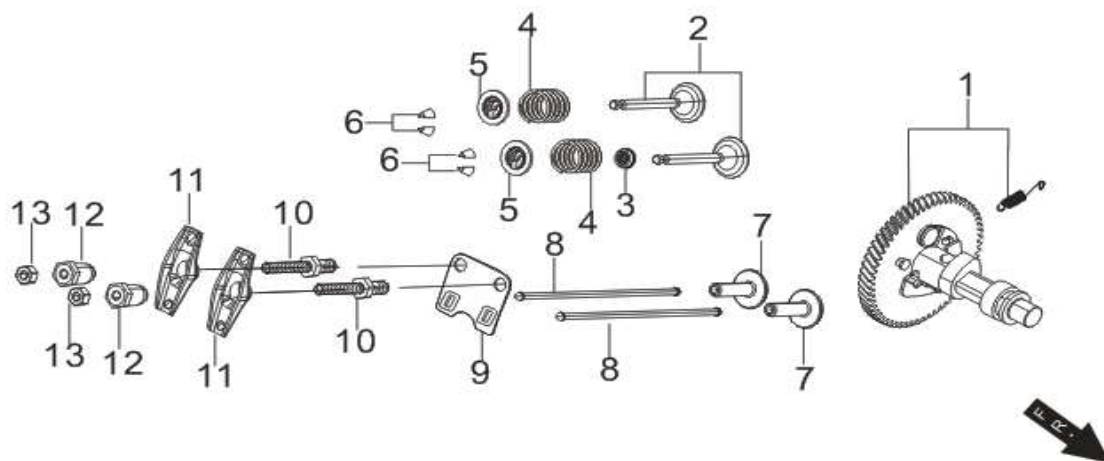
**FIG.4 ROD,CRANKSHAFT CONNETING 曲柄连杆组件(E04)**



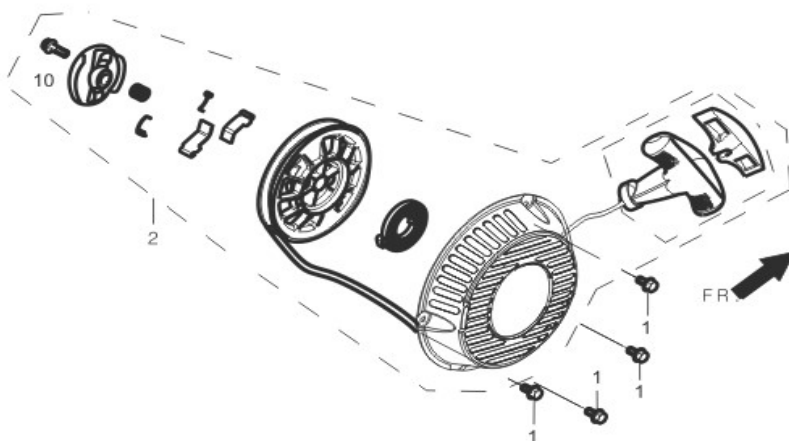
REF.NO. 序号	PART NO 物料代码	DESCRIPTION 英文名	Q'TY 数量	包装数
E04-1	13300-Z533210-00A0	CRANKSHAFT ASSY.	1	1

**FIG.5 RING SET,OIL / ROD,CRANKSHAFT CONNETING 油环组合/曲柄连杆组件 (E05)**

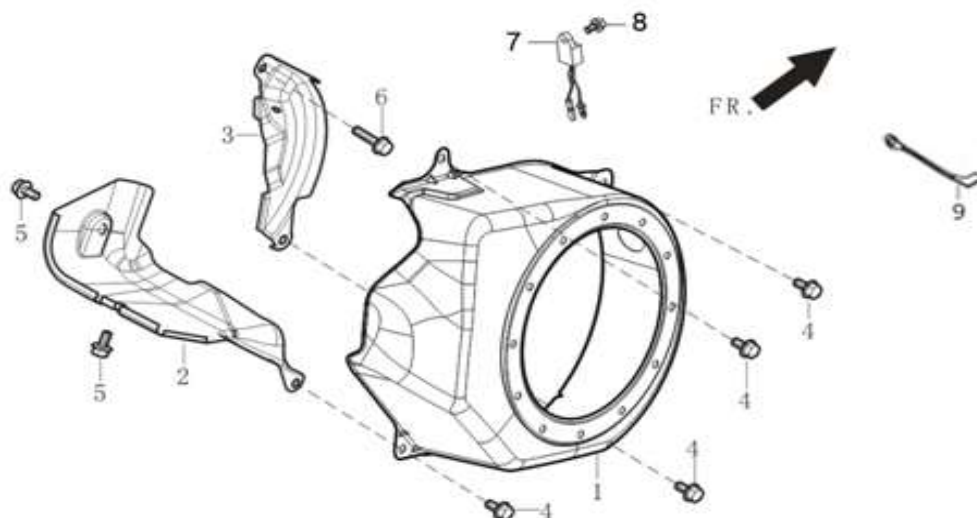
REF.NO. 序号	PART NO 物料代码	DESCRIPTION 英文名	Q'TY 数量	包装数
E05-1	13200-Z140210-00A9	RING ASSY, PISTON	1	1
E05-2	13122-Z010110-00A0	CLIP, PISTON PIN	2	1
E05-3	13111-Z140220-00A9	PISTON	1	1
E05-4	13121-Z010110-00A0	PIN, PISTON	1	1
E05-5	13010-Z440210-00A9	ROD, CONNECTING	1	1

**FIG.6 TRAIN,VALVE / CAMSHAFT SUBASSEMBLY 配气机构组件/凸轮轴 (E06)**

REF.NO. 序号	PART NO 物料代码	DESCRIPTION 英文名	Q'TY 数量	包装数
E06-1	14200-Z530210-00A9	CAMSHAFT ASSY.	1	1
E06-2	12110-Z810120-00A9	VALVES SET	1	1
E06-3	12101-Z810210-00A0	GUIDE, SEAL	1	1
E06-4	12103-Z010110-00A0	SPRING, VALVE	2	1
E06-5	12112-Z810210-00A0	SEAT, VALVE SPRING	2	1
E06-6	12109-Z810110-00A0	CLAMP, VALVE LOCK	4	1
E06-7	14081-Z040110-00A0	TAPPET, VALVE	2	1
E06-8	14071-Z440110-00A0	LIFTER, VALVE	2	1
E06-9	14090-Z010110-00A0	PLATE SUBASSEMBLY, LIFTER STOPPER	1	1
E06-10	14313-Z010110-00A0	BOLT, ROCKER SHAFT	2	1
E06-11	14311-Z010110-00A0	ROCKER, VALVE	2	1
E06-12	14314-Z010110-00A0	NUT, VALVE ADJUSTING	2	1
E06-13	14312-Z010110-00A0	NUT, VALVE LOCK	2	1

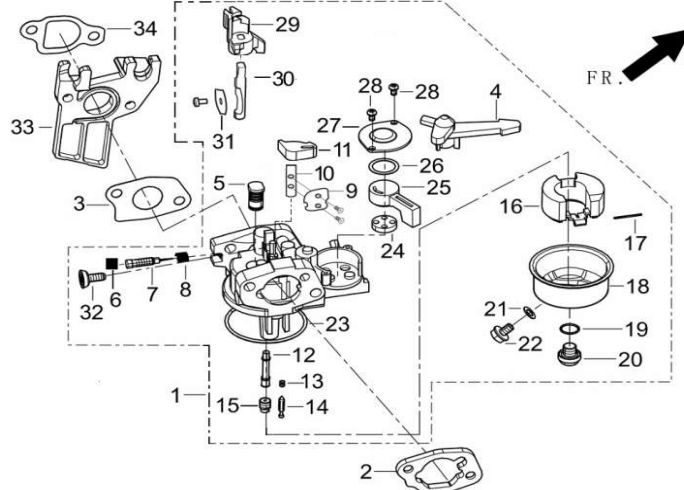
**FIG.7 STARTER,RECOIL 手起动组件 (E07)**

REF.NO. 序号	PART NO 物料代码	DESCRIPTION 英文名	Q'TY 数量	包装数
E07-1	90001-0608-01A0	BOLT	4	1
E07-2	28200-Z140110-RUA0	STARTER ASSY, RECOIL	1	1

**FIG.8 SHROUD / SHIELD,LOWER 缸体导风罩/下护罩 (E08)**

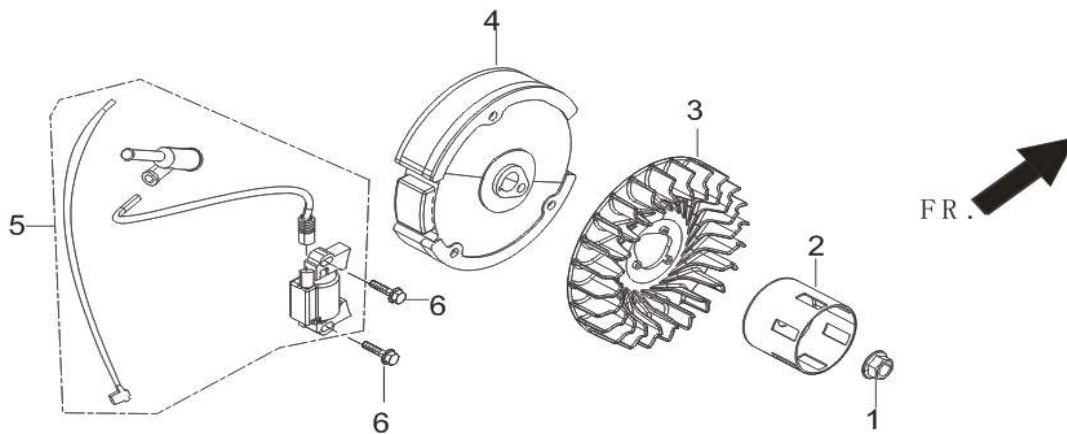
REF.NO. 序号	PART NO 物料代码	DESCRIPTION 英文名	Q'TY 数量	包装数
E08-1	28110-Z010410-RUA0	SHROUD	1	1
E08-2	19304-Z010710-00A0	SHROUD, CYLINDER BODY	1	1
E08-3	19340-Z010810-00A0	SHIELD, LOWER	1	1
E08-4	90001-0612-01A0	BOLT	4	1
E08-5	90001-0610-01A0	BOLT	2	1
E08-6	90001-0616-01A0	BOLT	1	1
E08-7	37050-Z010210-00A0	PROTECTOR, OIL	1	1
E08-8	90001-0610-01A0	BOLT	1	1
E08-9	35555-Z010410-00A0	WIRE, STOP ENGINE SWITCH GROUNDING	1	1

**FIG.9 CARBURETOR ASSY. 化油器部件 (E09)**



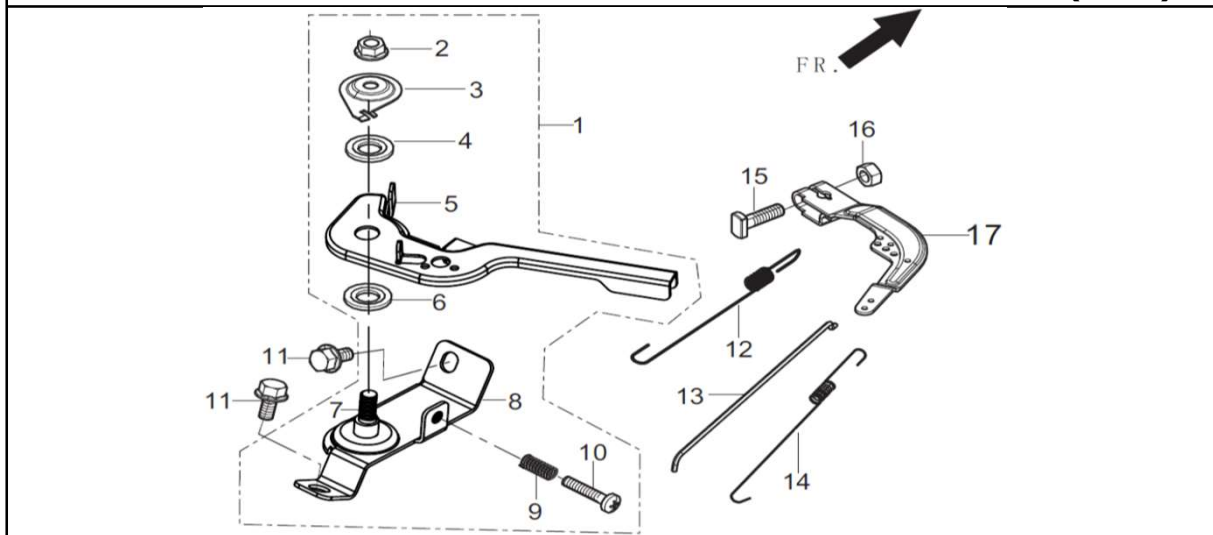
REF.NO. 序号	PART NO 物料代码	DESCRIPTION 英文名	Q'TY 数量	包装数
E09-1	16100-Z531410-00A0	CARBURETOR ASSY.	1	1
E09-2	17001-Z010210-00A0	GASKET, AIR CLEANER	1	1
E09-3	16001-Z010110-00A0	GASKET, CARBURETOR	1	1
E09-33	16003-Z010110-00A0	PLATE, CARBURETOR INSULATOR	1	1
E09-34	16002-Z010110-00A0	GASKET, CARBURETOR INSULATOR	1	1

**FIG.10 FLYWHEEL / IMPELLER / STARTER PULLEY / IGNITION COIL 飞轮/叶轮/启动杯/点火线圈 (E10)**



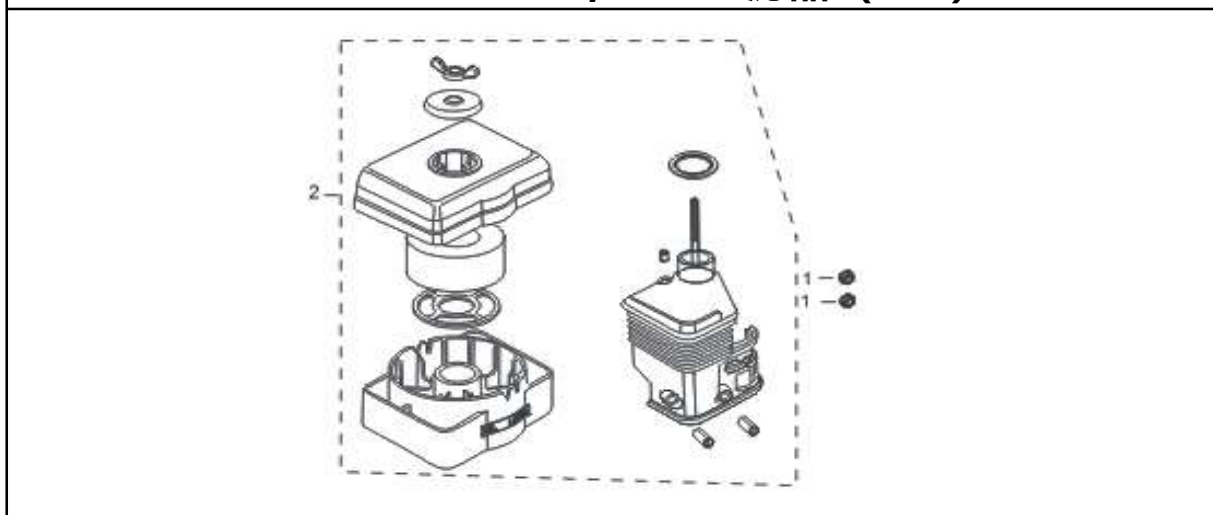
REF.NO. 序号	PART NO 物料代码	DESCRIPTION 英文名	Q'TY 数量	包装数
E10-1	13501-Z010110-00A0	NUT, FLYWHEEL	1	1
E10-2	28002-Z010310-00A0	PULLEY,STARTER	1	1
E10-3	19352-Z440110-00A0	IMPELLER	1	1
E10-4	13510-Z440410-00A0	FLYWHEEL SUBASSEMBLY	1	1
E10-5	30400-Z440210-00A0	COIL, IGNITION	1	1
E10-6	90001-0625-01A0	BOLT	2	1

**FIG.11 CONTROL ASSY, THROTTLE 油门操纵部件 (E11)**

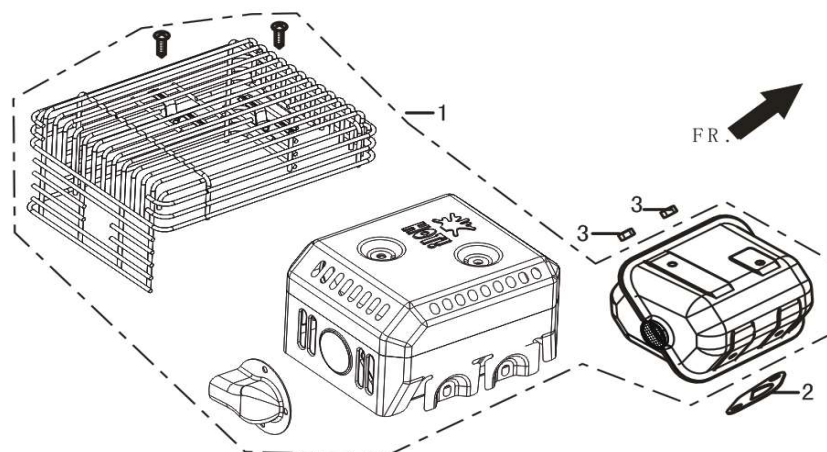


REF.NO. 序号	PART NO 物料代码	DESCRIPTION 英文名	Q'TY 数量	包装数
E11-1	16520-Z011710-00A0	CONTROL ASSY, THROTTLE	1	1
E11-11	90001-0610-01A0	BOLT	2	1
E11-12	16063-Z010720-00A0	SPRING, GOVERNOR	1	1
E11-13	16062-Z010110-00A0	ROD, GOVERNEOR	1	1
E11-14	16012-Z010110-00A0	SPRING, THROTTLE VALVE RETURNING	1	1
E11-15	16072-Z010110-00A0	BOLT, GOVERNOR SUPPORT	1	1
E11-16	90305-0600-31A0	NUT	1	1
E11-17	16070-Z010110-00A0	SUPPORT SUBASSEMBLY, GOVERNOR	1	1

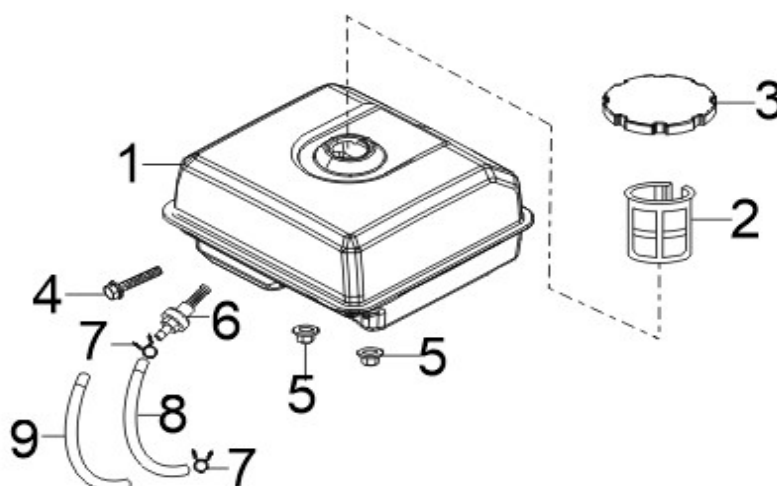
**FIG.12 CLEANER, AIR 空滤器 (F01)**



REF.NO. 序号	PART NO 物料代码	DESCRIPTION 英文名	Q'TY 数量	包装数
F01-1	90305-0600-31A0	NUT	2	1
F01-2	17100-Z010410-00A0	CLEANER, AIR	1	1

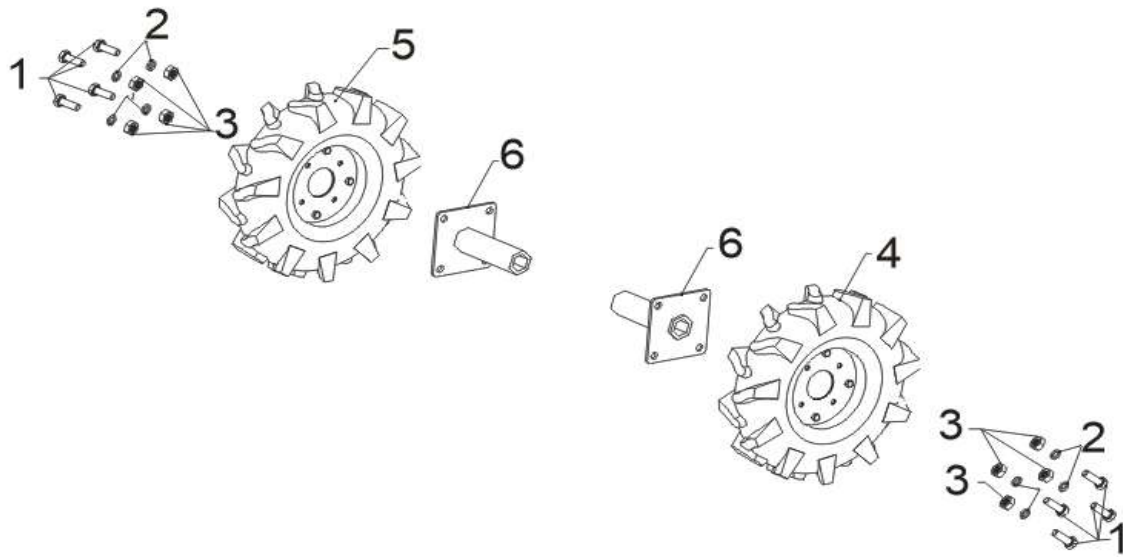
**FIG.13 MUFFLER ASSY. 消声器部件 (F02)**

REF.NO. 序号	PART NO 物料代码	DESCRIPTION 英文名	Q'TY 数量	包装数
F02-1	18100-Z441810-H3A0	MUFFLER ASSY.	1	1
F02-2	18001-Z440110-00A0	GASKET, EXHAUST OUTLET	1	1
F02-3	90303-0800-31A0	NUT	2	1

**FIG.14 TANK ASSY, FUEL 油箱部件 (F03)**

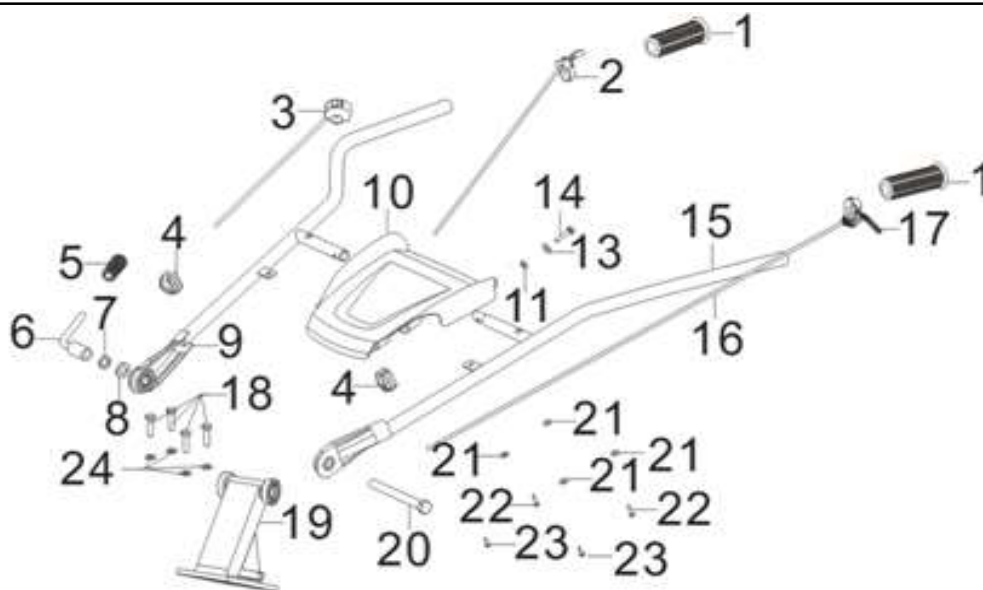
REF.NO. 序号	PART NO 物料代码	DESCRIPTION 英文名	Q'TY 数量	包装数
F03-1	16620-Z440120-H3AP	TANK, FUEL	1	1
F03-2	16652-Z010610-00A0	STRAINER, FUEL	1	1
F03-3	16730-Z010820-QBA0	COVER, FUEL TANK	1	1
F03-4	90001-0630-01A0	BOLT	1	1
F03-5	90305-0600-31A0	NUT	2	1
F03-6	16680-Z010110-00A0	OUTLET SUBASSEMBLY, FUEL TANK OIL	1	1
F03-7	90740-Z010210-00A0	COLLAR	2	1
F03-8	90686-Z010510-00A0	TUBE, FUEL	1	1
F03-9	30431-Z010110-00A0	JACKET, RUBBER	1	1

**FIG.15 后轮**

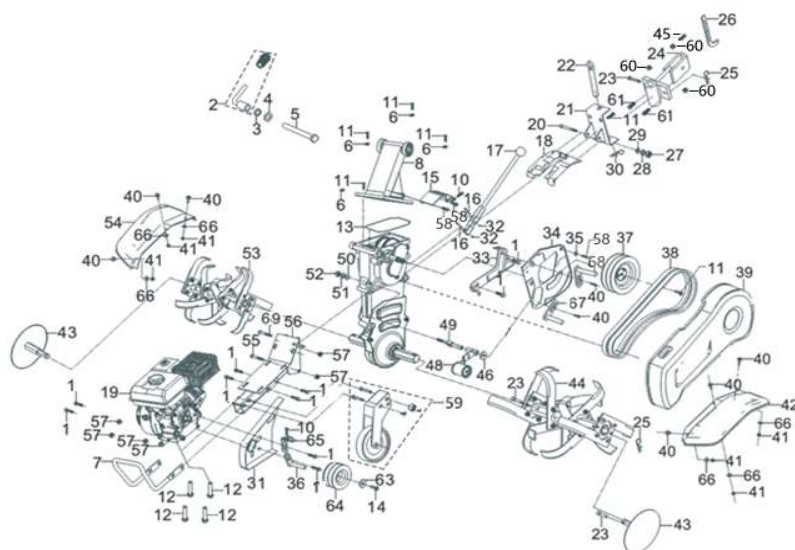


REF.NO. 序号	PART NO 物料代码	DESCRIPTION 英文名	Q'TY 数量	包装数
F07-1	90005-1025-0108		8	1
F07-2	90403-1000-0108	WASHER, FLAT	8	1
F07-3	90303-1000-3108	NUT	8	1
F07-4	76008-U070210-H300	WHEEL, TRANSPORTION	1	1
F07-5	76008-U070310-H300	WHEEL, TRANSPORTION	1	1
F07-6	42002-U220210-H300	SHAFT, REAR WHEEL	2	1

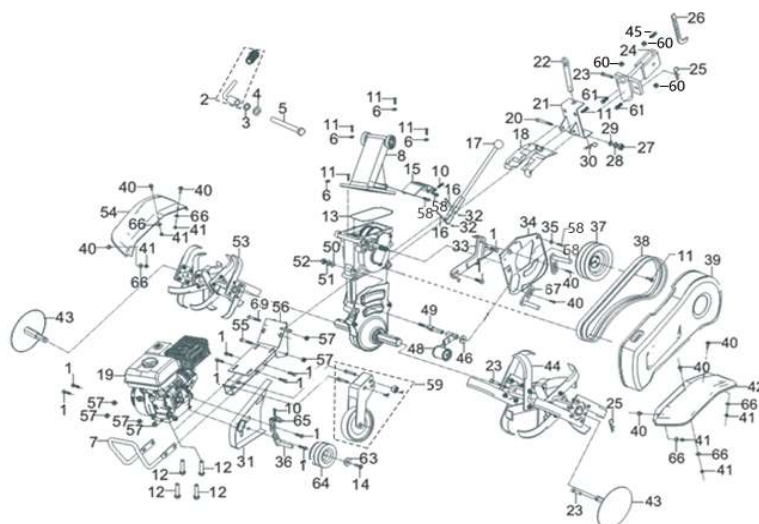
FIG.16 手把管 (F08)



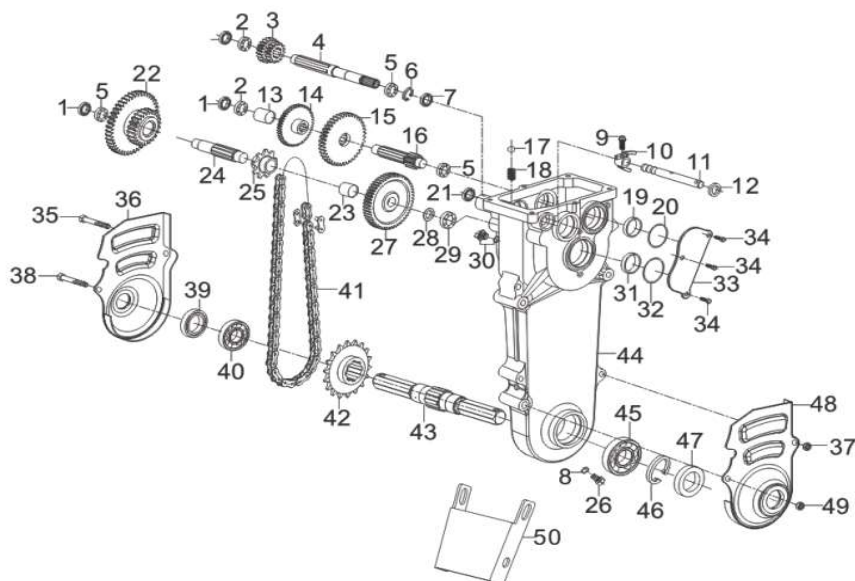
REF.NO. 序号	PART NO 物料代码	DESCRIPTION 英文名	Q'TY 数量	包装数
F08-1	54101-U060110-0000	SLEEVE, HANDLE RUBBER	2	1
F08-2	16550-U220310-0000		1	1
F08-3	35540-U220510-0000	SWITCH SUBASSEMBLY, STOP ENGINE	1	1
F08-4	90684-U110111-0000	CLIP	2	1
F08-5	54101-U060110-0000	SLEEVE, HANDLE RUBBER	2	1
F08-6	54203-U080111-0000		1	1
F08-7	90403-1600-0108	WASHER, FLAT	1	1
F08-8	90408-1600-E108	WASHER, FLAT	1	1
F08-9	54110-U230220-GS00	HANDLE TUBE ASSY	1	1
F08-10	54125-U060110-Q200		1	1
F08-11	90303-0800-3108	NUT	1	1
F08-13	90406-0800-E108	WASHER, FLAT	1	1
F08-14	90005-0835-0108		1	1
F08-15	54110-U230120-GS00	HANDLE TUBE ASSY	1	1
F08-16	54020-U220410-0000	CABLE, CLUTCH	1	1
F08-17	54035-U240110-0000		1	1
F08-18	90001-0820-0108	BOLT	4	1
F08-19	54200-U070210-GS00		1	1
F08-20	90004-U070110-01		1	1
F08-21	90406-0500-3108	WASHER, FLAT	4	1
F08-22	90107-4819-0108	SCREW	2	1
F08-23	90107-4813-0108	SCREW	2	1
F08-24	90403-0800-Z108	WASHER, FLAT	4	1

**FIG.17 整机 (E15)**

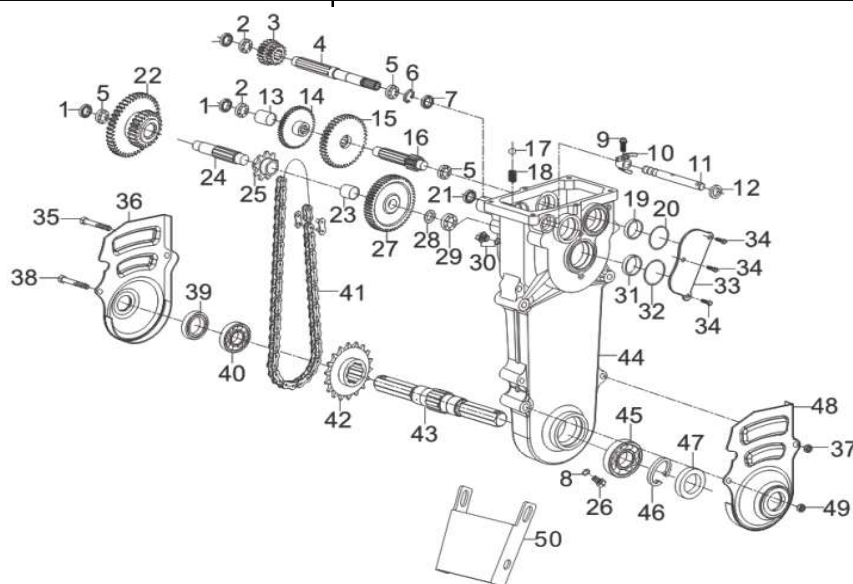
REF.NO. 序号	PART NO 物料代码	DESCRIPTION 英文名	Q'TY 数量	包装数
E15-1	90001-0816-0108	BOLT	10	1
E15-2	54203-U080111-0000		1	1
E15-3	90403-1600-0108	WASHER, FLAT	1	1
E15-4	90408-1600-E108	WASHER, FLAT	1	1
E15-5	90004-U070110-0108		1	1
E15-6	90403-0800-E108	WASHER, FLAT	4	1
E15-7	58410-U070110-H300	GUARD	1	1
E15-8	54200-U070210-GS00		1	1
E15-10	90001-0616-0108	BOLT	1	1
E15-11	90001-0820-0108	BOLT	4	1
E15-12	90001-0840-0108	BOLT	4	1
E15-13	11062-U070210-0000	GASKET, TRANSMISSION BOX COVER	1	1
E15-14	90001-U070310-0108		1	1
E15-15	54204-U070110-H300		1	1
E15-16	90504-U070210-0008	PIN ROLL	2	1
E15-17	54205-U070110-H300		1	1
E15-18	76007-U070620-GS00	FENDER, MINI-TILLER	1	1
E15-19	R210MT000W6-AGO301		1	1
E15-20	90004-1095-0108		1	1
E15-21	76025-U070110-H300		1	1
E15-22	90504-U070410-0000	PIN ROLL	1	1
E15-23	90504-U070110-0000	PIN ROLL	3	1
E15-24	76024-U080211-H300		1	1
E15-25	90583-0238-01		2	1
E15-26	76016-U080110-H300		1	1
E15-27	90303-1000-3108	NUT	1	1
E15-28	90403-1000-0108	WASHER, FLAT	1	1
E15-29	90408-1000-E108	WASHER, FLAT	1	1
E15-30	90583-3581-01		1	1
E15-31	51143-U070310-WB00	PLATE, BOTTOM	1	1
E15-32	90583-0125-01		2	1
E15-33	76217-U290110-WB00		1	1
E15-34	51143-U070210-WB00	PLATE, BOTTOM	1	1

**FIG.17 整机 (E15)**

REF.NO. 序号	PART NO 物料代码	DESCRIPTION 英文名	Q'TY 数量	包装数
E15-35	90406-0600-E108	WASHER, FLAT	1	1
E15-36	76215-U070210-0000		3	1
E15-37	76305-U070910-0000		1	1
E15-38	76304-U070310-0000	BELT, DRIVING	2	1
E15-39	76306-U070310-H600		1	1
E15-40	90007-0616-A108	BOLT	8	1
E15-41	90325-0600-3108		6	1
E15-42	76007-U060410-GS00	FENDER, MINI-TILLER	1	1
E15-43	76723-U070310-H300		2	1
E15-44	76700-U070710-H300	DEVICE SUBASSEMBLY, REVOLVE TILLING	1	1
E15-45	90005-1035-0108		1	1
E15-46	90401-0600-0108		1	1
E15-48	76307-U070110-0000		1	1
E15-49	76216-U070110-0000		1	1
E15-50	90408-0800-E108	WASHER, FLAT	1	1
E15-51	90403-0800-Z108	WASHER, FLAT	1	1
E15-52	90303-0800-3108	NUT	1	1
E15-53	76700-U070810-H300	DEVICE SUBASSEMBLY, REVOLVE TILLING	1	1
E15-54	76007-U060510-GS00	FENDER, MINI-TILLER	1	1
E15-55	90001-0865-0108	BOLT	2	1
E15-56	76006-U070110-H300	SEAT, ENGINE CONNETING	1	1
E15-57	90305-Z010110-0008	NUT	6	1
E15-58	90007-0610-A108		3	1
E15-59	44100-U070210-H300	WHEEL ASSY, FRONT	1	1
E15-60	90303-1000-3108		3	1
E15-61	90005-1050-0108		2	1
E15-63	90406-0800-E108	WASHER, FLAT	1	1
E15-64	76305-U070810-0000		1	1
E15-65	76215-U070110-0000		1	1
E15-66	90406-0600-E108	WASHER, FLAT	6	1
E15-67	76215-U070410-0000		1	1
E15-68	76215-U070310-0000		1	1
E15-69	90001-0870-0108		1	1

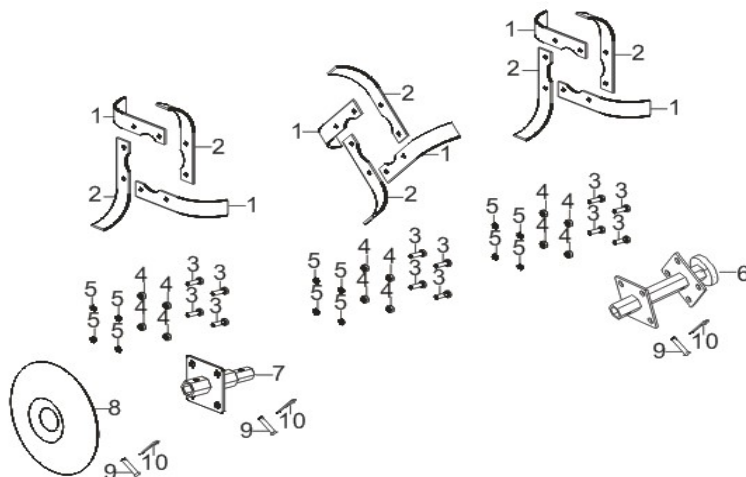
**FIG.16 变速箱部分 (E16) A**

REF.NO. 序号	PART NO 物料代码	DESCRIPTION 英文名	Q'TY 数量	包装数
E16-1	28101-U070110-0000	PLUG, RUBBER	3	1
E16-2	90548-0002-CL	BEARIN, DEEP GROOVE BALL	2	1
E16-3	28301-U070110-0000	GEAR, DUPLICATE	1	1
E16-4	23501-U070110-0000	AXLE, MAIN	1	1
E16-5	90548-0202-CL	BEARIN, DEEP GROOVE BALL	3	1
E16-6	90571-3500-06		1	1
E16-7	90682-U070110-0000	SEAL, OIL	1	1
E16-8	90408-Z010110-0000	WASHER, FLAT	1	1
E16-9	90001-0616-01	BOLT	1	1
E16-10	24421-U070110-0000	FORK, SHIFTS	1	1
E16-11	24422-U070210-0000	AXIS, SHIFTS FORK	1	1
E16-12	90682-U070410-0000	SEAL, OIL	1	1
E16-13	90683-U070610-0000	BUSH	1	1
E16-14	23611-U070120-0000	GEAR 1ST, COUNTERSHAFT	1	1
E16-15	23621-U070210-0000	GEAR 2ND, COUNTERSHAFT	1	1
E16-16	23601-U070110-0000	COUNTERSHAFT	1	1
E16-17	90543-6300-00	BALL, STEEL	1	1
E16-18	24524-U070110-0000	SPRING, STOPPER	1	1
E16-19	90683-U070210-0000	BUSH	1	1
E16-20	90692-U070110-0000		1	1
E16-21	28101-U070210-0000	PLUG, RUBBER	1	1
E16-22	28301-U070310-0000	GEAR, DUPLICATE	1	1
E16-23	90683-U070310-0000	BUSH	1	1
E16-24	40201-U070110-0000		1	1
E16-25	42011-U070110-0000	SPROCKET, WHEEL	1	1
E16-26	11007-Z450110-0000	BOLT, DRAIN PLUG	1	1

**FIG.16 变速箱部分 (E16) B**

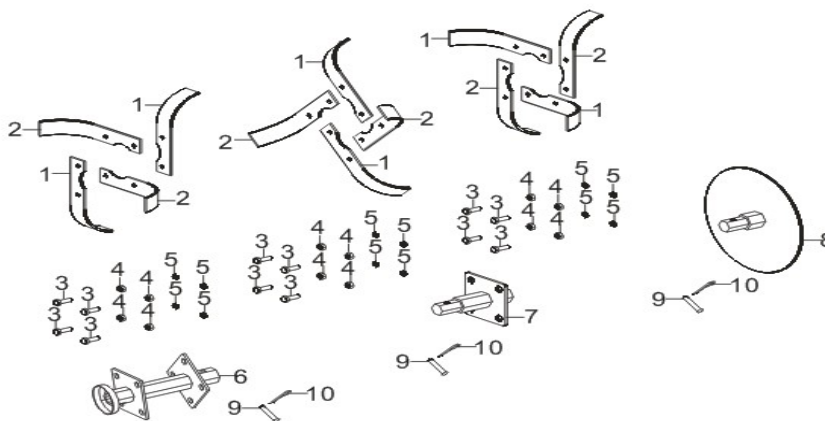
REF.NO. 序号	PART NO 物料代码	DESCRIPTION 英文名	Q'TY 数量	包装数
E16-27	23711-U070110-0000	GEAR, INTERMEDIATE	1	1
E16-28	90412-U070110-0000	WASHER, FLAT	按需	1
	90412-U070210-0000	WASHER, FLAT		1
	90412-U070310-0000	WASHER, FLAT		1
E16-29	90548-0203-CL	BEARIN, DEEP GROOVE BALL	1	1
E16-30	15030-U070110-G400	PLUG SUBASSEMBLY, ENGINE OIL	1	1
E16-31	90683-U070410-0000	BUSH	1	1
E16-32	90692-U070210-0000		1	1
E16-33	12441-U070110-0000	SEAL, GUIDE	1	1
E16-34	90001-0612-01	BOLT	3	1
E16-35	90001-0650-0108	BOLT	1	1
E16-36	50115-U070210-WB00		1	1
E16-37	90305-0600-3108	NUT	1	1
E16-38	90001-0860-01	BOLT	1	1
E16-39	90682-U070210-0000	SEAL, OIL	1	1
E16-40	90548-0005-CL	BEARIN, DEEP GROOVE BALL	1	1
E16-41	90710-U070110-0000	CHAIN	1	1
E16-42	42011-U070210-0000	SPROCKET, WHEEL	1	1
E16-43	76315-U070110-0000		1	1
E16-44	76350-U070510-0000	BOX SUBASSEMBLY, TRANSMISSION	1	1
E16-45	90548-0205-CL	BEARIN, DEEP GROOVE BALL	1	1
E16-46	90571-5200-06		1	1
E16-47	90682-U070310-0000	SEAL, OIL	1	1
E16-48	50115-U070110-WB00		1	1
E16-49	90305-0800-31	NUT	1	1
E16-50	50115-U070310-WB00		1	1

**FIG.19 右耕刀(E22)**



REF.NO. 序号	PART NO 物料代码	DESCRIPTION 英文名	Q'TY 数量	包装数
E22-1	76721-U070310-H300		6	1
E22-2	76721-U070410-H300		6	1
E22-3	90005-1030-0608	BOLT	12	1
E22-4	90403-1000-0608	WASHER, FLAT	12	1
E22-5	90303-1000-3608	NUT	12	1
E22-6	76725-U070810-H300		1	1
E22-7	76725-U070410-H300		1	1
E22-8	76723-U070310-H300		1	1
E22-9	90504-0840-0108		3	1
E22-10	90583-0238-01		3	1

**FIG.20 左耕刀**



REF.NO. 序号	PART NO 物料代码	DESCRIPTION 英文名	Q'TY 数量	包装数
E23-1	76721-U070310-H300		6	1
E23-2	76721-U070410-H300		6	1
E23-3	90005-1030-0608		12	1
E23-4	90403-1000-0608	WASHER, FLAT	12	1
E23-5	90303-1000-3608	NUT	12	1
E23-6	76725-U070810-H300		1	1
E23-7	76725-U070410-H300		1	1
E23-8	76723-U070310-H300		1	1
E23-9	90504-0840-0108	PIN ROLL	3	1
E23-10	90583-0238-01		3	1