

| | | | |
|----------------|--|-----|------------|
| YILI SH | | | |
| | | | YLQ6660G-B |
| | | 1/3 | |
| | | 1:6 | YLQ6660G-B |
| | | | A |

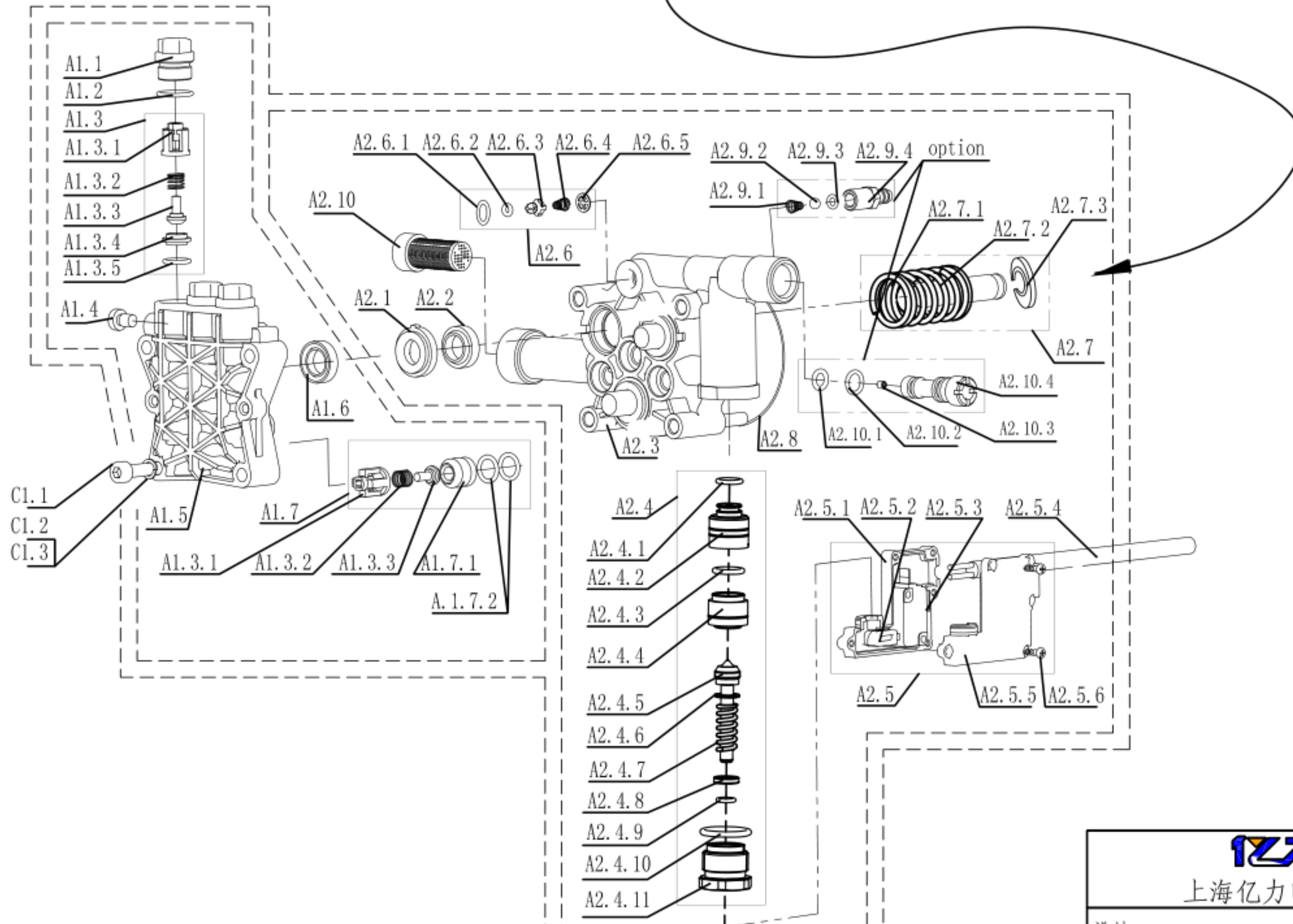
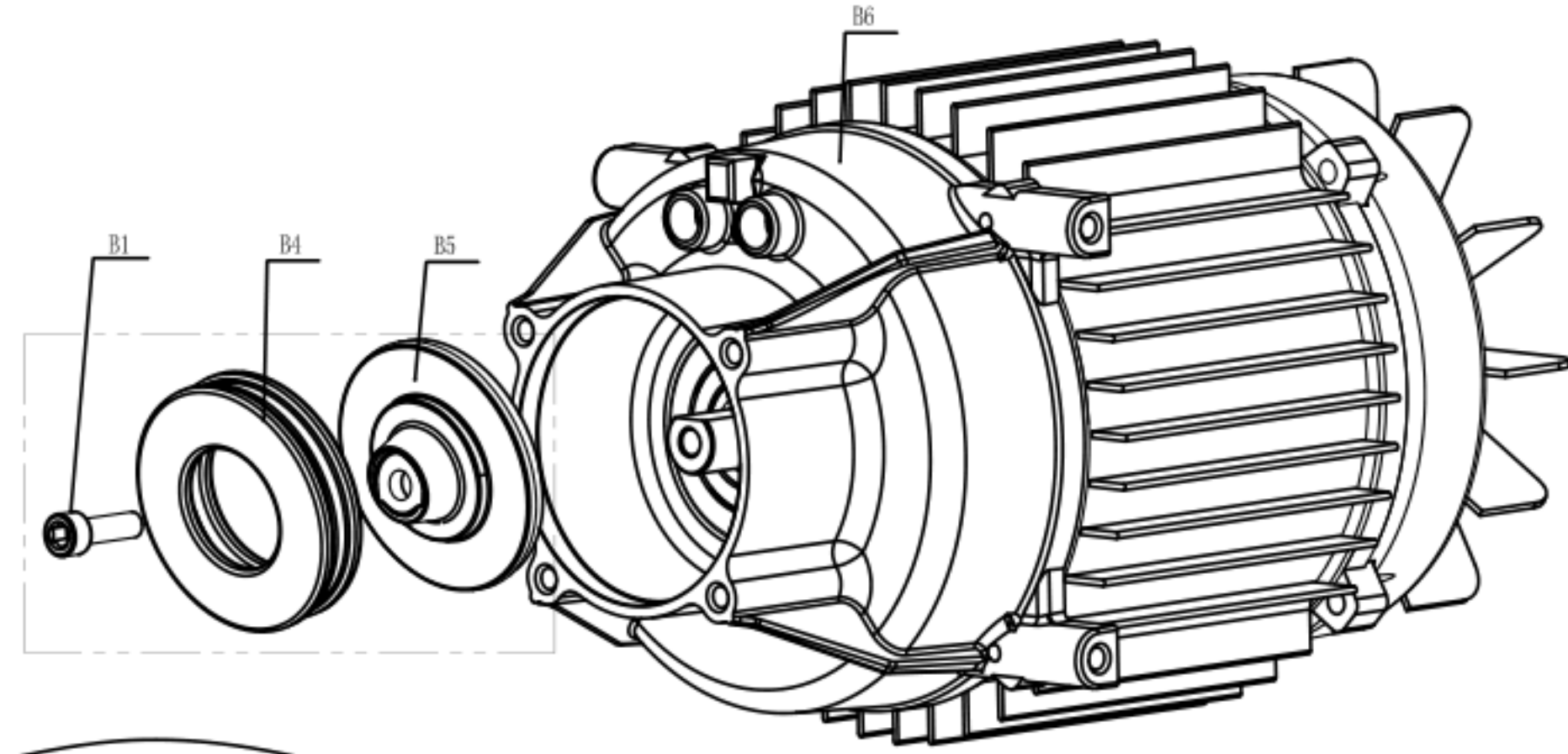
| REPW 170 | | | | |
|----------|--------------|--|-----|----------|
| Item | DrawingNo. | EnglishName | Qty | |
| 1 | REPW170-1 | čep hadičky (Spray spigot) | 1 | |
| 2 | REPW170-2 | zástrčka čepu (Spray plug) | 1 | |
| 3 | REPW170-3 | šroub (Screw ST4.8*20) | 21 | |
| 4 | REPW170-4 | šroub (Screw ST3.5*13F) | 13 | |
| 5 | REPW170-5 | podložka (big washer \varnothing 6) | 2 | optional |
| 6 | REPW170-6 | otočný držák (rotary handle) | 1 | |
| 7 | REPW170-7 | šroub (ScrewM6X20) | 2 | optional |
| 8 | REPW170-8 | štítek (rating label) | 1 | |
| 9 | REPW170-9 | krytka (water outlet cover) | 1 | |
| 10 | REPW170-10 | náprava (axle) | 1 | |
| 11 | REPW170-11 | kolečko (wheel) | 2 | |
| 12 | REPW170-12 | podložka (flat washer) | 2 | |
| 13 | REPW170-13 | poklice kola (wheel cover) | 2 | |
| 14 | REPW170-14 | segerova pojistka (external circlip) | 2 | |
| 15 | REPW170-15 | deska (Waterproof board) | 1 | |
| 16 | REPW170-16 | podložka (Screw,ST3.5X16) | 2 | |
| 17 | REPW170-17 | skelet kondenzátoru (Capacitor box) | 1 | |
| 18 | REPW170-18 | kondenzátor (Capacitor30UF) | 1 | |
| 19 | REPW170-19 | průchodka (Capacitor sheath) | 1 | |
| 20 | REPW170-20 | podložka (Sawtooth washer \varnothing 4) | 1 | |
| 21 | REPW170-21 | podložka (Spring washer \varnothing 4) | 1 | |
| 22 | REPW170-22 | šroub (Screw,M4X8) | 1 | |
| | | 1800W motor | 1 | optional |
| | | 2000W motor | 1 | optional |
| | | 2200W Motor | 1 | optional |
| 23 | REPW170-23-1 | 2500WMotor | 1 | |
| | REPW170-23-5 | Alum. Pump | 1 | |
| | REPW170-23-6 | Brass Pump | 1 | optional |
| 24 | REPW170-24 | deska čerpadla (Pump base) | 1 | |
| 25 | REPW170-25 | šroub (Screw,M5X18) | 2 | |
| 26 | REPW170-26 | silentblok (Damping ring) | 4 | |
| 27 | REPW170-27 | průchodka kabelu (Power cord sheath) | 1 | |
| 28 | REPW170-28 | kabel (Power cord ass'y) | 1 | |
| 29 | REPW170-29 | přední kryt (Front housing) | 1 | |
| 30 | REPW170-30 | maska (front housing decorative sheet) | 1 | |
| 31 | REPW170-31 | zátka (water inlet tube sheath) | 1 | |
| 32 | REPW170-32 | redukce k hadici (Inlet water nut ass'y) | 1 | |
| 33 | REPW170-33 | uložení pistole (Gunstock) | 1 | |
| 34 | REPW170-34 | uložení trysky (turbo nozzle hanger) | 1 | optional |
| 35 | REPW170-35 | tryska (low pressure nozzle) | 1 | optional |
| 36 | REPW170-36 | 40°tryska (nozzle) | 1 | optional |
| 37 | REPW170-37 | 0°tryska (nozzle) | 1 | optional |
| 38 | REPW170-38 | 15°tryska (nozzle) | 1 | optional |
| 39 | REPW170-39 | tryska (25° nozzle) | 1 | optional |
| 40 | REPW170-40 | držák trysek (nozzle fixed sheet) | 1 | optional |
| 41 | REPW170-41 | turbo tryska (turbo nozzle) | 1 | optional |

| | | | | |
|----|------------|--|---|----------|
| 42 | REPW170-42 | bajonet (turbo lance) | 1 | optional |
| 43 | REPW170-43 | bajonet (YLG060.4 quick lance) | 1 | optional |
| 44 | REPW170-44 | bajonet s tryskou (Spray lance YLG06) | 1 | |
| 45 | REPW170-45 | krytka tlačítka (switch cover) | 1 | |
| 46 | REPW170-46 | tlačítko (ON/OFF Switch) | 2 | |
| 47 | REPW170-47 | maska spínačů (Switch deck) | 1 | |
| 48 | REPW170-48 | pistole (Spray gun YLG06) | 1 | |
| 49 | REPW170-49 | madlo (handle) | 1 | |
| 50 | REPW170-50 | segerova pojistka (split washer) | 2 | |
| 51 | REPW170-51 | ventil (Three way valve sheath) | 1 | |
| 52 | REPW170-52 | pojistka (U pin) | 2 | |
| 53 | REPW170-53 | gumový kroužek (rubber mat) | 1 | |
| 54 | REPW170-54 | o-kroužek (O-ring11.2X2.65) | 1 | |
| 55 | REPW170-55 | ventil (Three way valve) | 1 | |
| 56 | REPW170-56 | o-kroužek (O-ring7.5X2) | 1 | |
| 57 | REPW170-57 | šroub (Screw M8*10) | 1 | |
| 58 | REPW170-58 | bok navijáku L (left flange) | 1 | |
| 59 | REPW170-59 | cíka na hadici (hose reel hub) | 2 | |
| 60 | REPW170-60 | spona (clip) | 1 | |
| 61 | REPW170-61 | hadice (8m steel wired rubber hose) | 1 | |
| 62 | REPW170-62 | bok navijáku P (right flange) | 1 | |
| 63 | REPW170-63 | šroub (screw ST4.8X16) | 5 | |
| 64 | REPW170-64 | hřídel kličky (wheel rocker) | 1 | |
| 65 | REPW170-65 | rukojeť kličky (crank sheath) | 1 | |
| 66 | REPW170-66 | šroub (screw ST4.2X25) | 1 | |
| 67 | REPW170-67 | uložení navijáku L (left binder plate) | 1 | |
| 68 | REPW170-68 | klička (rocking handle) | 1 | optional |
| 69 | REPW170-69 | uložení navijáku P (right binder plate) | 1 | |
| 70 | REPW170-70 | tlumící deska (baffle) | 1 | |
| 71 | REPW170-71 | držák pistole (gun holder) | 1 | optional |
| 72 | REPW170-72 | zadní skelet (rear housing) | 1 | optional |
| 73 | REPW170-73 | nádoba na saponát (detergent tank) | 1 | optional |
| 74 | REPW170-74 | víčko nádoby (tank cover) | 1 | optional |
| 75 | REPW170-75 | štítek (warning label) | 1 | optional |
| 76 | REPW170-76 | hadice (soft tube) | 1 | optional |
| 77 | REPW170-77 | tlak. hadice (inner pressure hose) | 1 | optional |
| 78 | REPW170-78 | zátky (waterproof cap) | 4 | |
| 79 | REPW170-79 | kryt spínače (switch cover) | 1 | |
| 80 | REPW170-80 | tyčka spínače (button pole) | 1 | |
| 81 | REPW170-81 | spínač (switch) | 1 | |
| 82 | REPW170-82 | skelet spínače (switch box) | 1 | |
| 83 | REPW170-83 | ventil (detergent valve sleeve) | 1 | |
| 84 | REPW170-84 | pružina (spring) | 1 | |
| 85 | REPW170-85 | pin | 1 | |
| 86 | REPW170-86 | o-kroužek (o ring5x2) | 1 | |
| 87 | REPW170-87 | o-kroužek (o-ring20x2) | 1 | |
| 88 | REPW170-88 | deska ventilu (detergent valve plate) | 1 | |
| 89 | REPW170-89 | šroub (screwST3X12) | 4 | |
| 90 | REPW170-90 | připojení ventilu (detergent valve plug) | 1 | |

REPW170-AB



| 版本 | 修订内容 | 技改单号 | 修改 |
|----|----------------------|------|----|
| D | 溢流阀型号更改; 虹吸头拆分成2个组件。 | | |



注: 1. 本爆炸图为“电机泵总成”的爆炸图, 为了便于模块化管理, 电机泵总成的爆炸图不包含减振圈、出线圈、风罩(风罩可能包含安装其中的开关、开关旋钮等)等零件, 上述零件会在“机芯爆炸图”中体现。
2. 本图如有更改恕不另行通知, 备件物料信息以订单BOM为准。

Parts information here are subject to change without notice, pls refer to order BOM for spare parts information .

| | | | | |
|---|-----|--------|--------------------------------|----|
|  上海亿力电器有限公司 | | 材料 | 中文名称 | |
| | | 重量 | M18A-P08A电机泵爆炸图 | |
| 设计 | 标准化 | 阶段标记 | 英文名称 | |
| 审核 | 批准 | 页码 1/1 | Explored drawing (YLM18A+P08A) | |
| 会签 | 日期 | 比例 | 图号 | 版本 |
| | | | YLM18A-P08A.asm-ex | D |

| číslo | englisch | název |
|---------------|----------------------|------------------------|
| REPW170-A1.1 | valve nut | zátká |
| REPW170-A1.2 | O-ring | o-kroužek |
| REPW170-A1.3 | oulet valve assemble | ventil (1kus) |
| REPW170-A1.6 | Y-seal | gufero |
| REPW170-A1.7 | Inlet valve kit | ventil pístu (1kus) |
| REPW170-A2.1 | seal bracket | sedlo |
| REPW170-A2.2 | piston oil seal | gufero pístku |
| REPW170-A2.5 | micro-switch kit | tlakový spínač elektro |
| REPW170-A2.6 | chief valve kit | ventil |
| REPW170-A2.9 | siphon kit | výpost. Ventil |
| REPW170-A2.10 | venturri assy | ventil |
| REPW170-B4 | thrust bearing | ložisko |
| REPW170-B5 | disc | disk |
| REPW170-C.3 | sealing | těsnění |