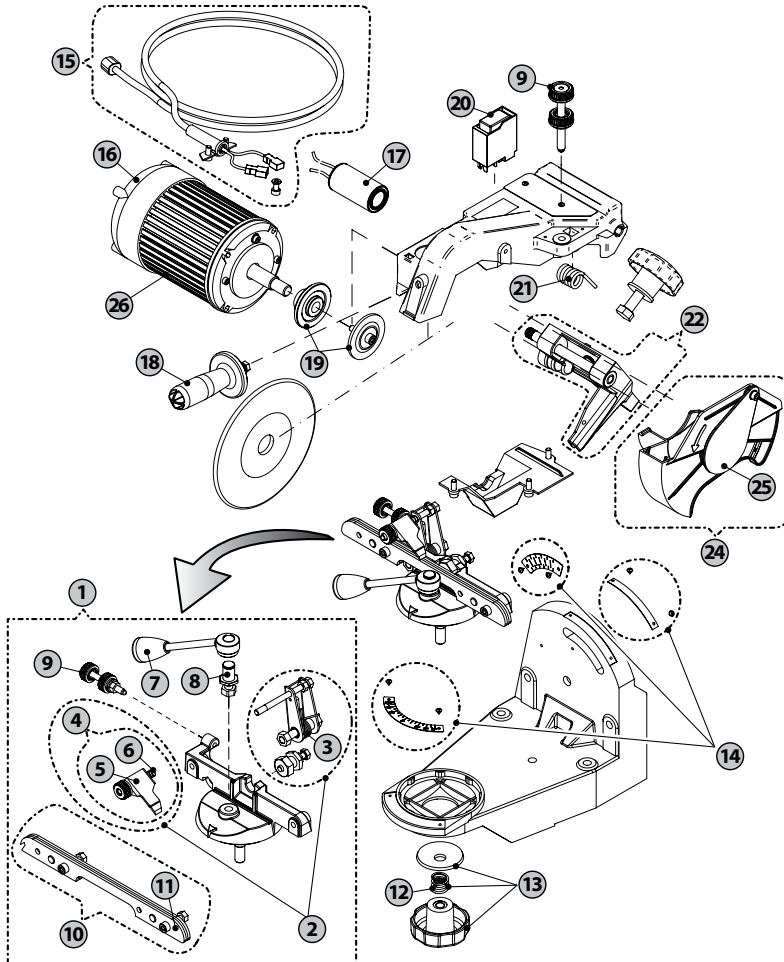


# COMPACT electric chain grinder 120 V - 230 V



## ► SPARE PARTS



P/N	DESCRIPTION	ORDER MULTIPLES OF:
1	K00200203 Complete vise assembly	1 pc
2	K00200356 Chain hold kit	1 pc
3	K00200352 Spring	10 pcs
4	K00200193 Chain stop, vise assy	1 pc
5	K00200350 Chain stop	5 pcs
6	K00200351 Spring	5 pcs
7	K00200197 vise handle	1 pc
8	K00200199 cam post	1 pc
9	K00200357 Adjustment knobs, kit	1 pc
10	K00200196 vise jaws	1 pc
11	K00200353 chain vise spacers	10 pcs
12	K00200180 Spring	10 pcs
13	K00200342 Vise locking kit	1 pc
14	K00200333 Scales Kit	1 pc
15	K00200145 Cable kit complete with plug - 120V~	1 pc
	K00200160 Cable kit complete with plug - 230V~	1 pc
	K00200161 Cable kit complete with plug-230V~ CH	1 pc
	K00200162 Cable kit complete with plug-230V~ AUS	1 pc
16	K00200155 End motor bell	1 pc
17	K00200152 Capacitor 8 Micro-Farad - 120V~	1 pc
	K00200158 Capacitor 8 Micro-Farad - 230V~	1 pc
18	K00200147 Handle kit	1 pc
19	K00200355 Motor flange kit ( outer and inner)	1 pc
20	K00200151 Switch - 120V~	1 pc
	K00200157 Switch - 230V~	1 pc
21	K00200201 Spring, arm return	50 pcs
22	K00200184 Bracket, arm support	1 pc
24	K00200195 Shield wheel protector	1 pc
25	K00200140 Shield kit	1 pc
26	K00200144 E-Motor - 120V~	1 pc
	K00200159 E-Motor - 230V~	1 pc

PACKAGING:  
Nylon Bag

