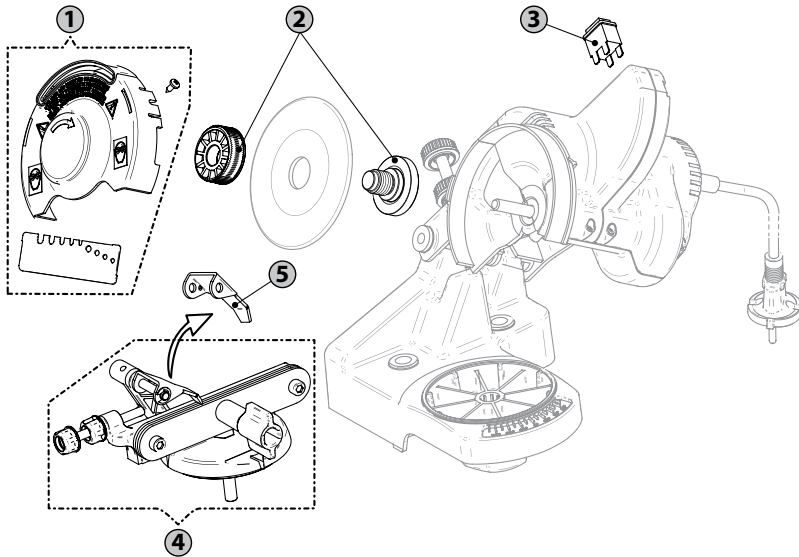


SHARPBoy electric chain grinder 120 V - 230 V



► SPARE PARTS



P/N	DESCRIPTION	ORDER MULTIPLES OF:
1	B01102004 Shield wheel protector	1 pc
2	K00200132 Motor flange kit (outer and inner)	1 pc
3	I00500002 Switch 120V - 230V	1 pc
4	1190014 Vise assembly	1 pc
5	K00200350 Chain stop	5 pcs

PACKAGING:
Nylon Bag

