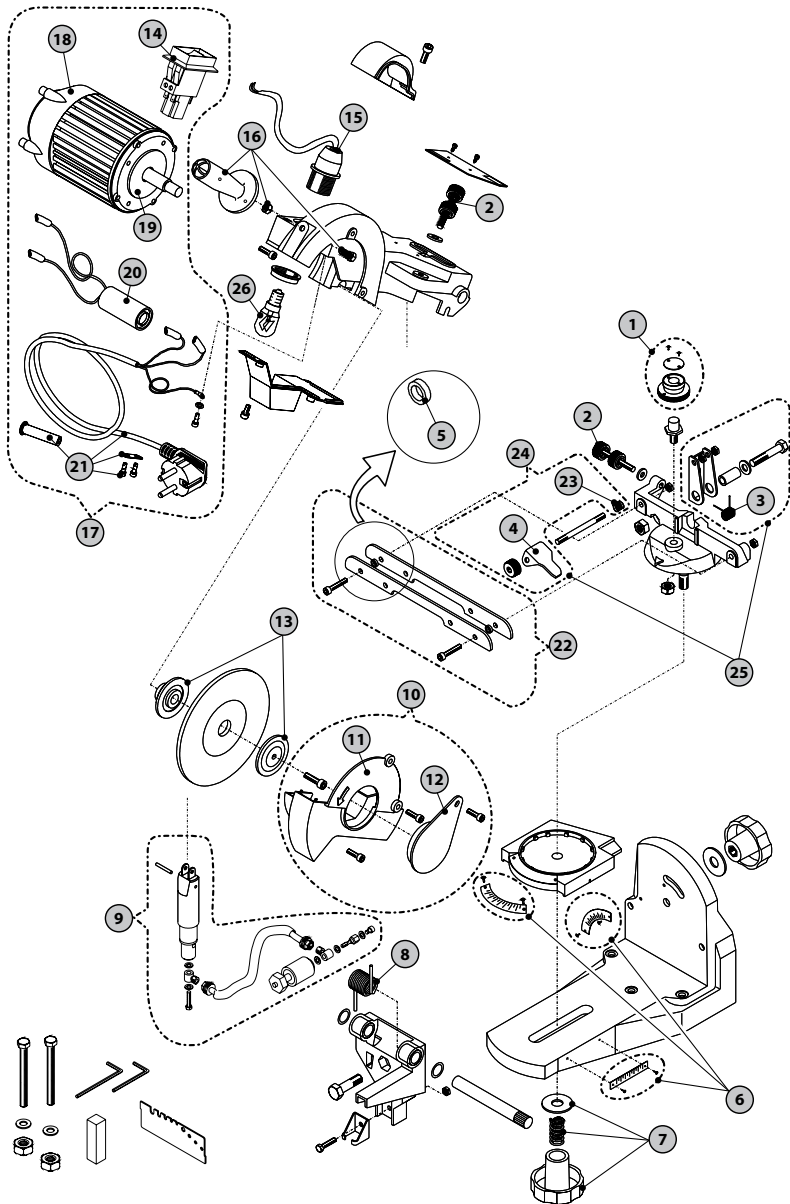


SUPERJolly

electric chain grinder 120 V - 230 V (OLD VERSION)



► SPARE PARTS



P/N	DESCRIPTION	ORDER MULTIPLES OF:
1	K00200359 Adj. cam vise position	1 pc
2	K00200357 Adjustment knobs, kit	1 pc
3	K00200352 Chain stop spring	1 pc
4	K00200350 Chain stop	5 pcs
5	K00200353 Chain vise spacers	10 pcs
6	K00200333 Scales kit	1 pc
7	K00200342 Vise locking kit	1 pc
8	K00200360 Motor mount arm spring	1 pc
9	1150088 Complete hydraulik a.bly	1 pc
10	K00200185 Shield wheel protector	1 pc
11	K00200343 Metal shield	1 pc
12	1155134 Shield kit	1 pc
13	K00200355 Motor flange kit (outer and inner)	1 pc
14	K00200151 Switch - 120V~	1 pc
	K00200157 Switch - 230V~	1 pc
15	K00200146 Light socket E12 w/wires - 120V~	1 pc
	1135264 Light socket E14 w/wires - 230V~	1 pc
16	K00200147 Handle kit	1 pc
17	K00200340 Complete electrical a.bly 120V~	1 pc
	K00200341 Complete electrical a.bly 230V~	1 pc
18	K00200155 End motor bell	1 pc
19	K00200144 Motor 120V~	1 pc
	K00200159 Motor 230V~	1 pc
20	K00200152 Capacitor 8 Micro-Farad - 120V~	1 pc
	K00200158 Capacitor 8 Micro-Farad - 230V~	1 pc
21	K00200145 Cable kit complete with plug - 120V~	1 pc
	K00200160 Cable kit complete with plug - 230V~	1 pc
	K00200161 Cable kit complete with plug-230V~ CH	1 pc
	K00200162 Cable kit complete with plug-230V~ AUS	1 pc
22	K00200196 Vise jaws kit	1 pc
23	K00200351 Pawl center spring kit	5 pcs
24	K00200193 Chain stop, vise assy	1 pc
25	K00200356 Chain hold kit	1 pc
26	K00200378 Light bulb 120V~	1 pc
	K00200156 Light bulb 230V~	1 pc

PACKAGING:
Nylon Bag

