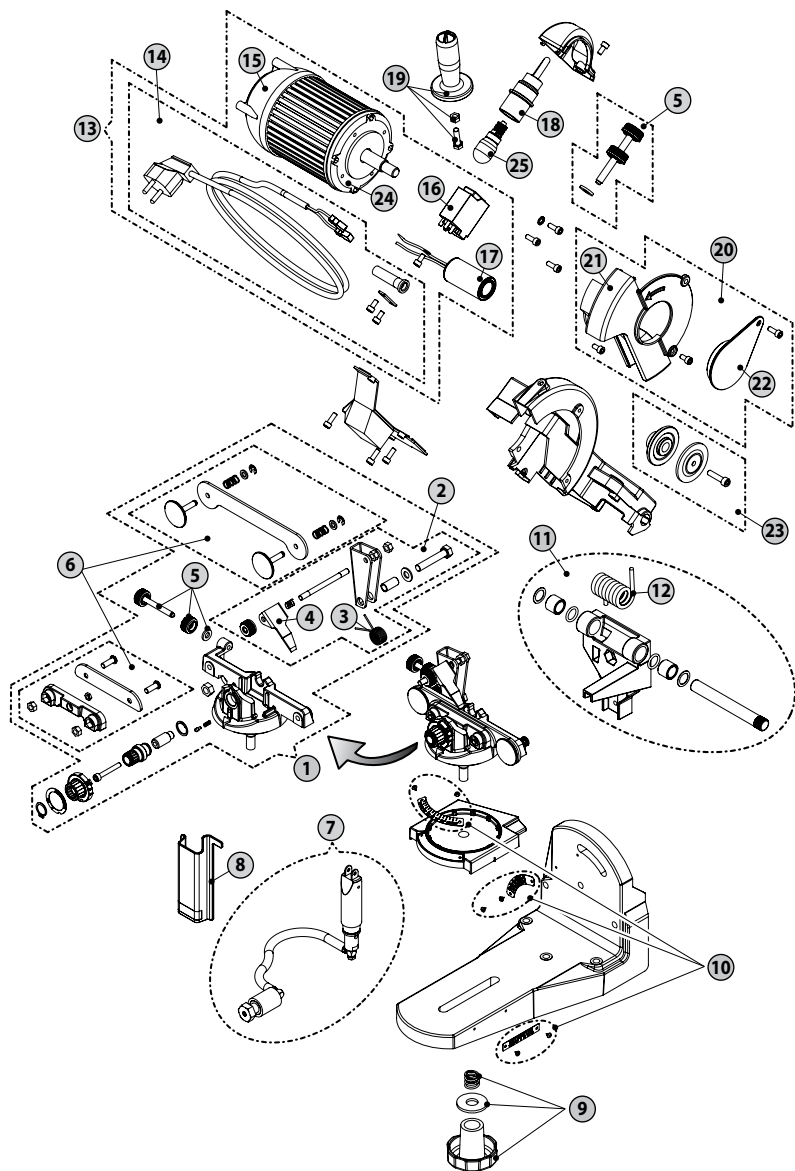


SUPERJolly

electric chain grinder 120 V - 230 V



► SPARE PARTS



P/N	DESCRIPTION	ORDER MULTIPLES OF:
1	K00200336 Complete vise assembly	1 pc
2	K00200356 Chain hold kit	1 pc
	K00200334 Chain hold kit - max. 3/4"	1 pc
3	K00200352 Chain stop spring	10 pcs
4	K00200323 Chain stop	5 pcs
5	K00200357 Adjustment knobs, kit	1 pc
6	K00200339 Vise jaws, vise assy	1 pc
7	K00200319 Complete hydraulic a.bly	1 pc
8	K00200338 Cylinder protection	1 pc
9	K00200342 Vise locking kit	1 pc
10	K00200333 Scales Kit	1 pc
11	K00200337 Bracket, arm support	1 pc
12	K00200335 Spring, arm return	5 pcs
13	K00200340 Complete electrical a.bly 120V~	1 pc
	K00200341 Complete electrical a.bly 230V~	1 pc
14	K00200145 Cable kit complete with plug - 120V~	1 pc
	K00200160 Cable kit complete with plug - 230V~	1 pc
	K00200161 Cable kit complete with plug-230V~ CH	1 pc
	K00200162 Cable kit complete with plug-230V~ AUS	1 pc
15	K00200155 End motor bell	1 pc
16	K00200151 Switch - 120V~	1 pc
	K00200157 Switch - 230V~	1 pc
17	K00200152 Capacitor 8 Micro-Farad - 120V~	1 pc
	K00200158 Capacitor 8 Micro-Farad - 230V~	1 pc
18	K00200146 Light socket E12 w/wires - 120V~	1 pc
	1135264 Light socket E14 w/wires - 230V~	1 pc
19	K00200147 Handle kit	1 pc
20	K00200185 Shield wheel protector	1 pc
21	K00200343 Metal shield	1 pc
	1155134 Shield kit	1 pc
22	K00200355 Motor flange kit (outer and inner)	1 pc
23	K00200144 Motor 120V~	1 pc
	K00200159 Motor 230V~	1 pc
24	K00200378 Light bulb 120V~	1 pc
	K00200156 Light bulb 230V~	1 pc

PACKAGING:
Nylon Bag

