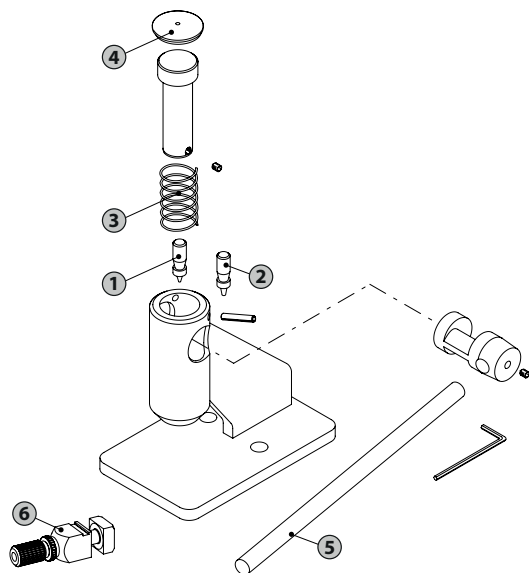


# Steel Chain Breaker



## ► SPARE PARTS



P/N	DESCRIPTION	ORDER MULTIPLES OF:
1	1020033E Standard Punch (A)	10 pcs
2	1020189 Punch .043"	10 pcs
3	1020011 Spring	1 pc
4	1020012 Cap	1 pc
5	1020028 Handle	1 pc
6	1020070 Adjustable chain anvil	10 pcs

PACKAGING:  
Nylon Bag

