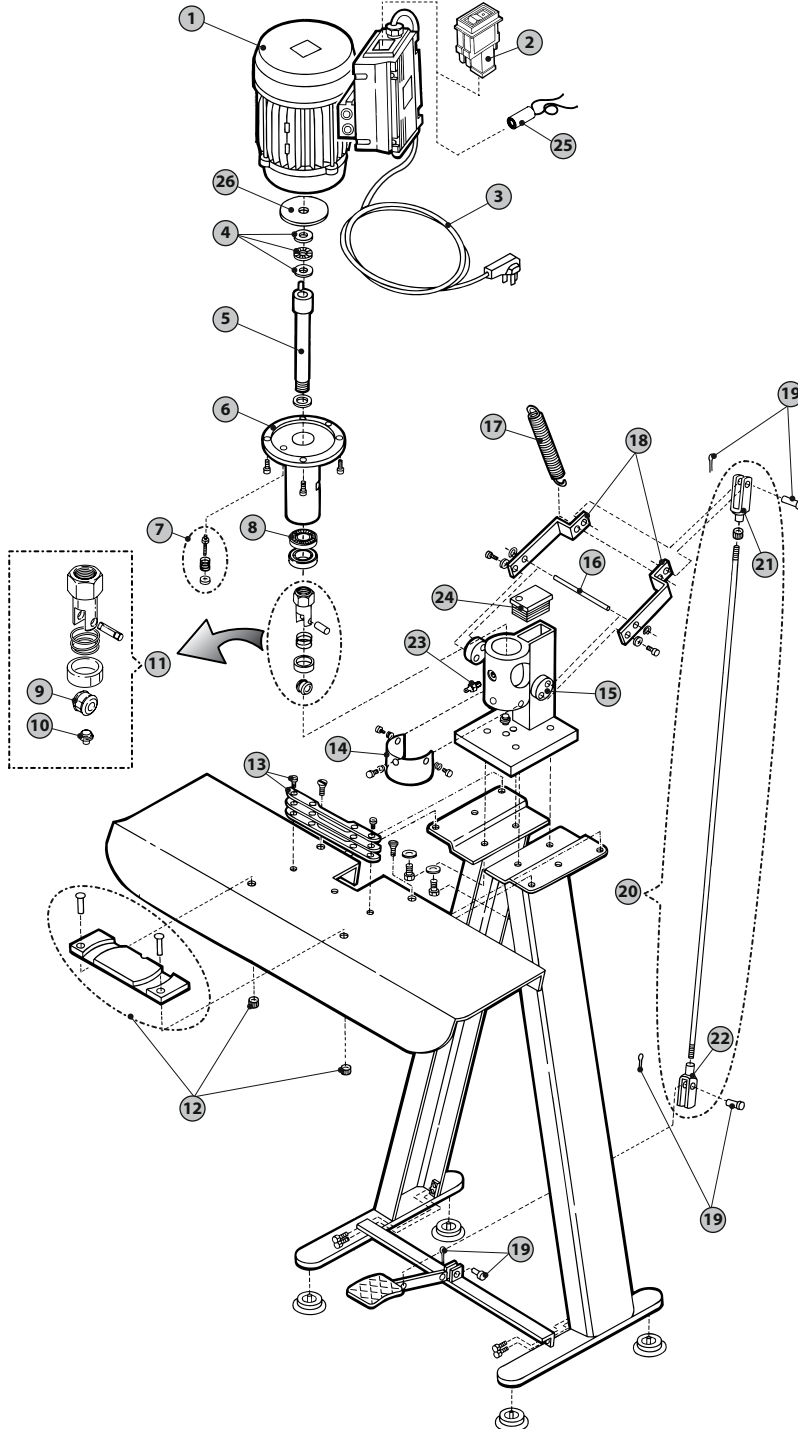


RIVETMASTER

electric rivet spinner 120 V - 230 V (OLD VERSION)



SPARE PARTS



P/N	DESCRIPTION	ORDER MULTIPLES OF:
1	1131004 E-motor 120V~	1 pc
	1131003 E-motor 230V~	1 pc
2	1131143 Switch schurter 120V~	1 pc
	K00200157 Switch eichcoff 230V~	1 pc
3	K00500043 Electric cable 120V~	1 pc
	K00500042 Electric cable 230V~	1 pc
4	1131059 Needle bearing	1 pc
5	1131057 Spin shaft	1 pc
6	1131012 E-motor holding flange	1 pc
7	1131056 Clearance adj. Screw kit	1 pc
8	7160003 Bearing 16002-Z	1 pc
9	1131124 Spin roll 3/8"-.404 (A)	1 pc
	1131125 Spin roll 90SG-91-1/4"-.325"	1 pc
10	1131126 Thrust anvil (A)	1 pc
	1131127 Thrust anvil (B)	1 pc
11	1131130 Kit spinroll-anvil (A) 3/8"-.404	1 pc
	1131131 Kit spinroll-anvil (B) 90SG-91-1/4"-.325"	1 pc
12	1131132 Chain guide kit	1 pc
13	1131060 Jaws kit	1 pc
14	1131091 Face shield	1 pc
15	1131011 Cam shaft	2 pcs
16	1131024 Cam pin	1 pc
17	1131027 Lever spring	1 pc
18	1131016 E-motor shifting lever	2 pcs
19	1131055 Kit split pin and pin	1 pc
20	1131109 Bar and yoke kit	1 pc
21	1131036 Zinc yoke	1 pc
22	1131066 Zinc yoke	1 pc
23	1131049 Zerk fitting	2 pcs
24	1131035 Barrel plug	1 pc
25	1131005 Capacitor 120V~ 25mF	1 pc
	1131063 Capacitor 230V~ 15mF	1 pc
26	1131013 Shim washer	1 pc

PACKAGING:
Nylon Bag

