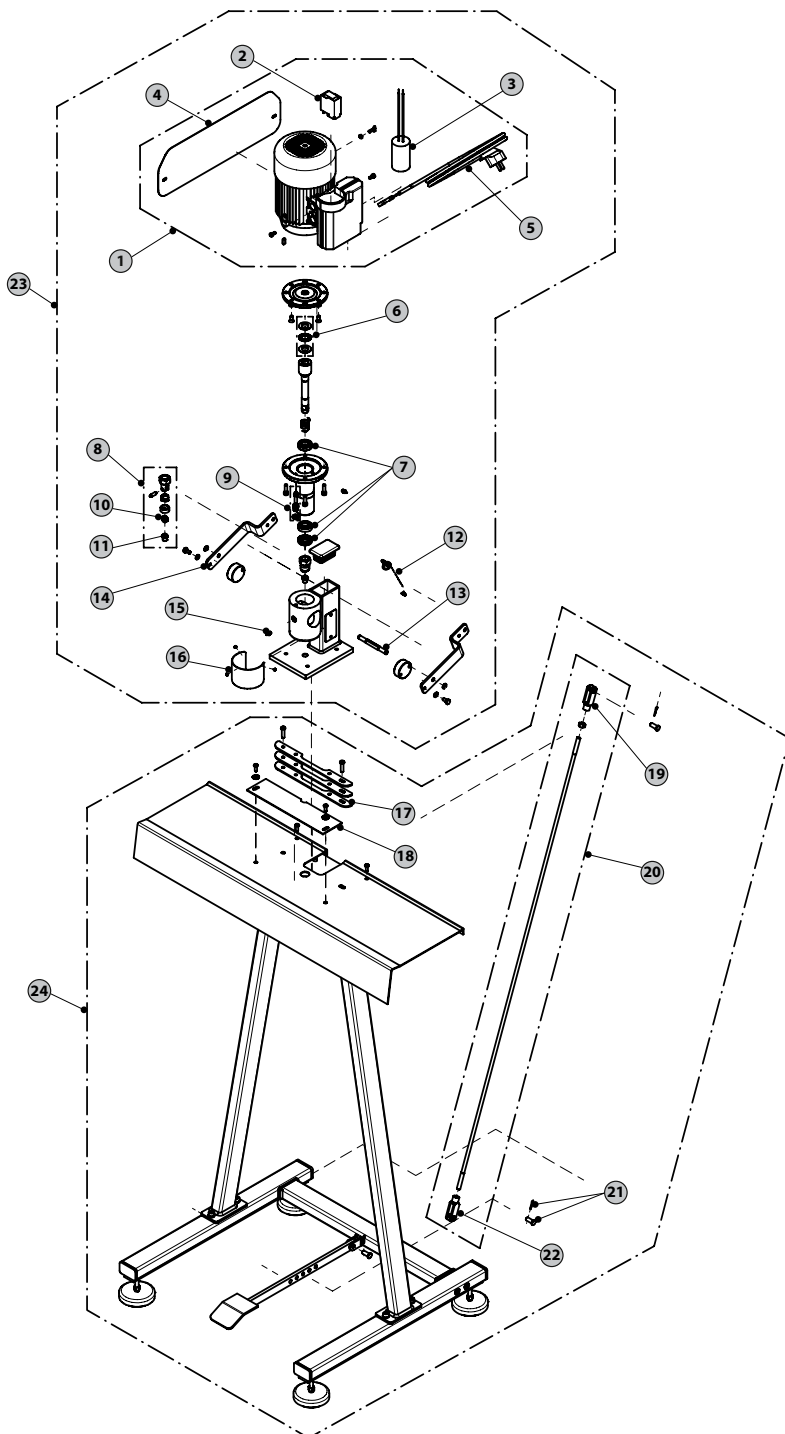


RIVETMASTER

electric rivet spinner 230 V



SPARE PARTS



P/N	DESCRIPTION	ORDER MULTIPLES OF:
1	K00500098 230V 50hz repl. Motor kit	1 pc
2	K00200157 Switch eichcoff 230V~	1 pc
3	K00500096 20MF 450V REPL. CAPACITOR KIT	1 pc
4	K00500095 REPL. AIR DUCT KIT	1 pc
5	K00500042 Electric cable 230V~	1 pc
6	K00500093 1528 Axial roller cage + washers kit	1 pc
7	K00500094 15-32 RAD. BEARING + SEALING RING	1 pc
8	1131130 Kit spinroll-anvil (A) 3/8"-.404	1 pc
	1131131 Kit spinroll-anvil (B) 90SG-91-1/4"-.325"	1 pc
9	1131056 Clearance adj. Screw kit	1 pc
10	1131124 Spin roll 3/8"-.404 (A)	1 pc
	1131125 Spin roll 90SG-91-1/4"-.325"	1 pc
11	1131126 Thrust anvil (A)	1 pc
	1131127 Thrust anvil (B)	1 pc
12	1131027 Lever spring	1 pc
13	1131024 Cam pin	1 pc
14	1131016 E-motor shifting lever	1 pc
15	1131049 Zerk fitting	1 pc
16	1131091 Face shield	1 pc
17	1131060 Jaws kit	1 pc
18	K00500097 REPL. CHAIN SUPPORT JAW KIT	1 pc
19	1131034 M8 UNI1676 LONG FORK	1 pc
20	1131109 Bar and yoke kit	1 pc
21	1131055 Kit split pin and pin	1 pc
22	1131066 Zinc yoke	1 pc
23	K00500091 230V-50Hz COMPL. MOTOR KIT	1 pc
24	C03500059 RIVET MASTER FRAME	1 pc

PACKAGING:
Nylon Bag

