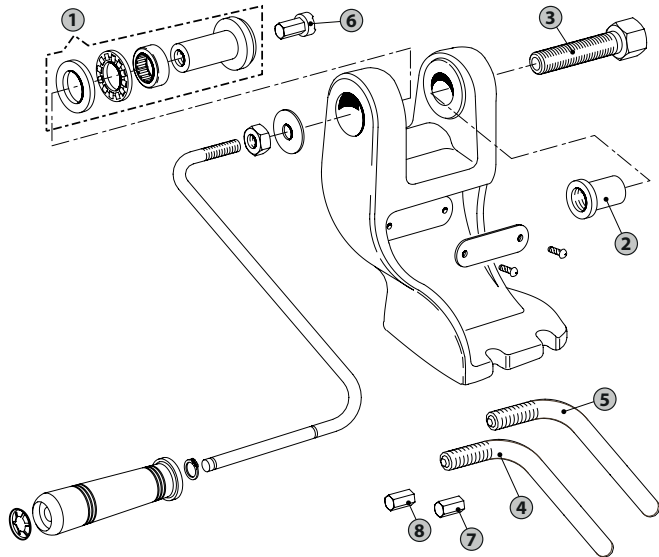


# Nudular Cast Iron Rivet Spinner



## SPARE PARTS



P/N	DESCRIPTION	ORDER MULTIPLES OF:
1	<b>K00500073</b> Anvil drive bushing	1 pc
2	<b>1025093</b> Threaded bushing	1 pc
3	<b>1025106</b> Take-up bolt hex-end	5 pcs
4	<b>1025092</b> Take up handle (A)	2 pcs
5	<b>1025091</b> Take up handle (B)	2 pcs
6	<b>1025105</b> 3/4 pitch spinner anvil	5 pcs
7	<b>1029001E</b> Spinner anvil (A)	10 pcs
8	<b>1028002D</b> Spinner anvil (B)	10 pcs

PACKAGING:  
Nylon Bag

