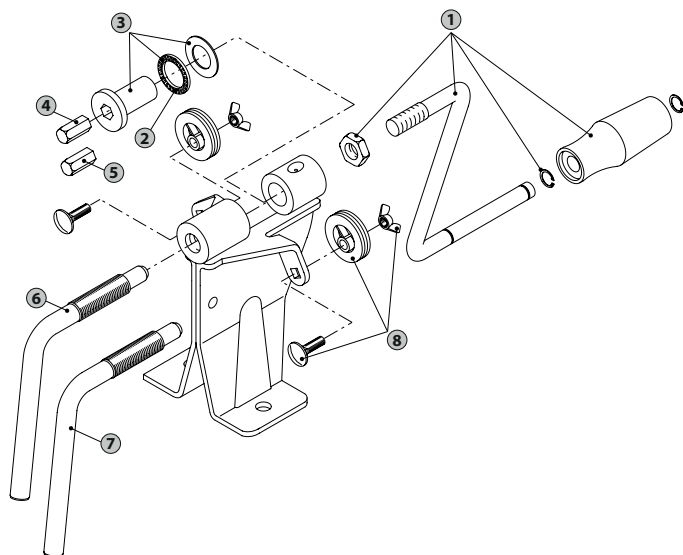


Steel Rivet Spinner



SPARE PARTS

1025950
Spare Parts_07/2011



	P/N	DESCRIPTION	ORDER MULTIPLES OF:
1	1025057	Spinner handle with grip	1 pc
2	3036017	Thrust bearing	5 pcs
3	K00500074	Sleeve	1 pc
4	1029001E	Spinner anvil (A)	10 pcs
5	1028002D	Spinner anvil (B)	10 pcs
6	1027001D	Take-up handle (A)	2 pcs
7	1026001D	Take-up handle (B)	2 pcs
8	1025066	Chain support disc.+bolt+nut	1 pc

PACKAGING:
Nylon Bag

